

Marbul Suspended 4.5

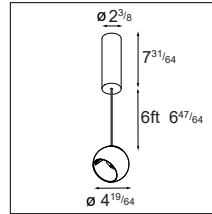
Overview



Marbul Suspended likes to create an intimate setting and give an air of elegant simplicity to your expression. An uncomplicated shape, this organic design fits in any decor, pointing light straight down or at an angle. That's right, the adjustable version lets you rotate it around its axis.

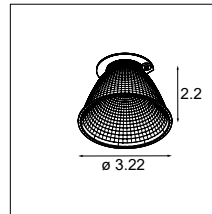
How to Specify (Example)

1. Select Lamp / Body → Page 2



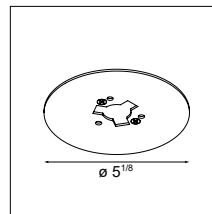
Example: **MARBU-SP-A-4.5-1X-27-DP-010P-DI-350-WHS**
(Marbul Suspended Adjustable 4.5 1x, 2700K, damp rated, 0-10V / ELV/ Triac, driver included, 350mA, white structure)

2. Select Optic → Page 3



Example: **O-MR-3.2-M-ALA**
(Magnetic reflector 3.2", medium beam, aluminum)

3. Select Accessories → Page 4



Example: **BP-C-44-MARBUL-SP-WHS**
(Backplate, for 4x4, white)

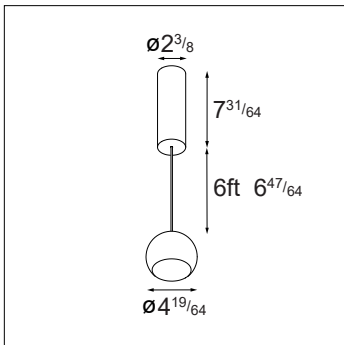
Example Order:

Qty.	Item
1	MARBU-SP-A-4.5-1X-27-DP-010P-DI-350-WHS
1	O-MR-3.2-M-ALA
1	BP-C-44-MARBUL-SP-WHS

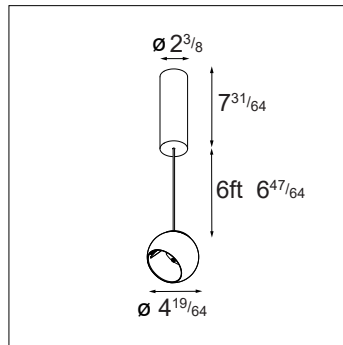
Lamp Specifications & Ordering Information

- Aperture: 3.1"
- Adjustability: 360° x 45° (adjustable version only)
- Body Material: Cast Aluminum
- Finish: Powder Coat
- Cable Color: black
- Cable Diameter: 0.17"
- Cable is field adjustable
- Driver: Included in Body
- Included: Plaster finish plate for 4x4 octagonal junction box

Finish Options



Marbul Suspended



Marbul Suspended Adjustable

Ordering Information

		- DP -		- 010P -		- DI-350 -					
MARBU-SP-4.5-1X	Marbul Suspended 4.5 1x	27	2700K	DP	Damp Location	010P	0-10V, ELV & Triac	DI-350	Driver Included 350mA	WHS	White Structure
MARBU-SP-A-4.5-1X	Marbul Suspended Adjustable 4.5 1x	30	3000K							BLS	Black Structure
		35	3500K							DGS	Donkey Gray Structure

Driver Specifications

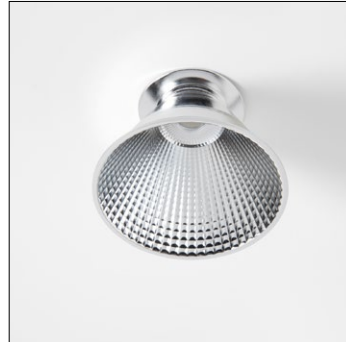
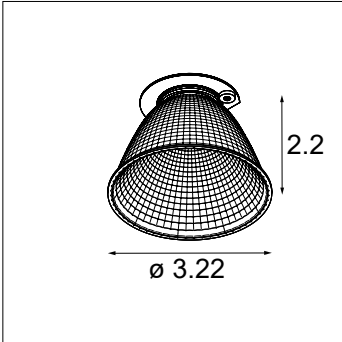
DRIVER	INPUT VOLTAGE	DIMMING TYPE	TYPICAL DIMMING LEVEL**	CONNECTED LOAD (TYPICAL)
010P	120-277VAC, 120VAC*	0-10V, ELV & Triac	1%	8.5 W

* Dimming via ELV and Triac only compatible at 120VAC

** Consult the factory for dimmer compatibility

Optics Specifications

- Optic selection required for use with Marbul
- Optic needed for each lamp position (e.g. 2 reflectors needed for 2 lamp fixture)
- Optics attach magnetically and can be field installed
- Champagne and gold reflectors will warm the CCT. Contact the factory for more details.



Aluminum



Champagne



Gold

Optic Information & Ordering

O-MR - **3.2** -

Optical Magnetic
 Reflector

3.2 3.2"

F Flood (40°)

M Medium (25°)

SS Super
 Spot (10°)

ALA Aluminum

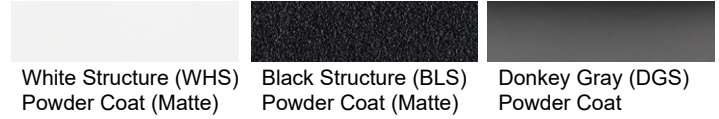
CHA Champagne

GOA Gold

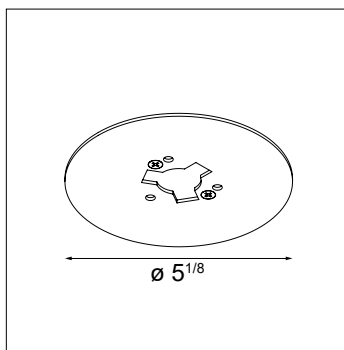
Accessories Specifications

- Accessories are optional (plaster plate comes standard*)
- Backplate / Cover Plate provides a cUL listed option for covering a 4x4 octagonal or 3x2 electrical box
- Cover Plate Material: Stainless steel
- Cover Plate Finish: Powder Coat
- Plate Thickness: 0.08"
- Weight: 0.7lbs

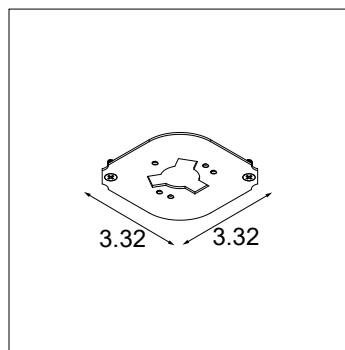
Plate Finish Options



* An additional plaster plate can be ordered to be delivered in advance



Cover Plate



Plaster Finish Plate for 4x4 octagonal junction box

Accessory Ordering Information

BP-C - **44** - **MARBUL-SS** -

Backplate Cover	44 4"x4" Junction Box	Marbul Suspended	WHS White Structure
			BLS Black Structure
			DGS Donkey Gray Structure

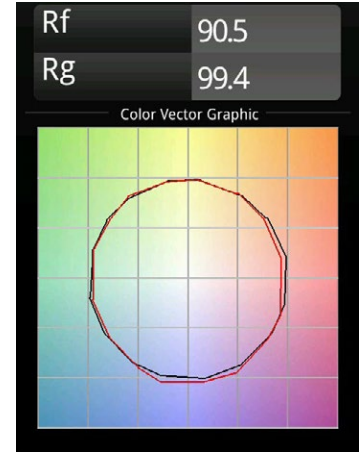
PP - **44** - **MARBUL-SS**

Plaster Finish Plate for 4x4 octagonal junction box

Performance Specifications (per lamp module)

Weight	Fixed - 2.8lbs Adjustable - 2.9lbs
Location	Damp
CRI*	92, R9: 58
Lifetime	L80 B20 @ 50.000 hrs
UGR	see website

For photometric files see website or contact factory



*CRI & TM-30 Value for 3000K, Aluminum Reflector

Output Specifications

Reference: 3000K, 40deg (F), Aluminum Finish
() indicates multipliers

Reference Delivered Lumens	CCT	Optics	Finish
720lm	2700K (0.88) 3000K (1.0) 3500K (1.02)	FL(1.0) M (1.0) S (1.0)	ALA (1.0) CHA (0.85) GOA (0.74)

Example Calculation

To determine typical output for 2700K, Medium, Champagne:

$$720 \times 0.88 \times 1.0 \times 0.85 = 532 \text{ lumen}$$

Listings and Certifications

- Damp location listed
- cUL & UL listed
- Title 24 JA8 certified

Warranty

Visit <https://www.supermodular.com/warranty>