



MODULAR
LIGHTING
INSTRUMENTS
— by MLI NA Corporation

Project

Type

Contact

Minude Semi-Recessed Adjustable 1.8 1x

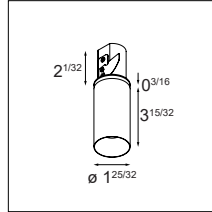
Overview



Adding a touch of minimalistic elegance is easy when you have Minude Semi-Recessed. A small cylinder, a deep-recessed light source, a long list of anodized colors and impressive flexibility. On walls or ceilings, with nothing but a small, circular plate hiding the installation hole.

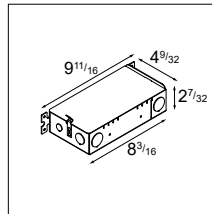
How to Specify (Example)

1. Select Lamp / Body → Page 2



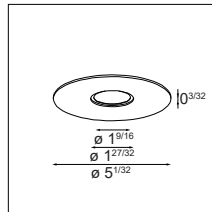
Example: **MINUD-SR-A-1.8-1X-30M-DP-DE-SBBA**
(Minude Semi-Recessed Adjustable 1.8 1x, 3000K, lens medium, damp, driver excluded, silver bronze brushed anodised)

2. Select Remote Driver → Page 3



Example: **IC-RD-DP-0101-EL-500-10**
(IC rated, Damp rated, 0-10V, 500mA, 10W)

3. Select Accessories → Page 4



Example: **BP-C-44-MINUDE-ADJ-BLS**
(Backplate for 4"x4" junction box, black)

Example Order:

Qty.	Item
1	MINUD-SR-A-1.8-1X-30M-DP-DE-SBBA
1	IC-RD-DP-0101-EL-500-10
1	BP-C-44-MINUDE-ADJ-BLS



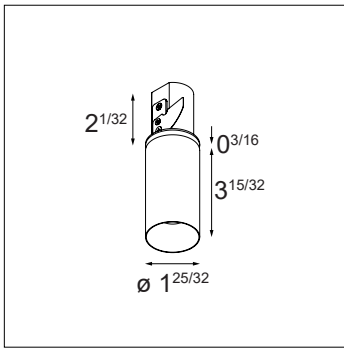
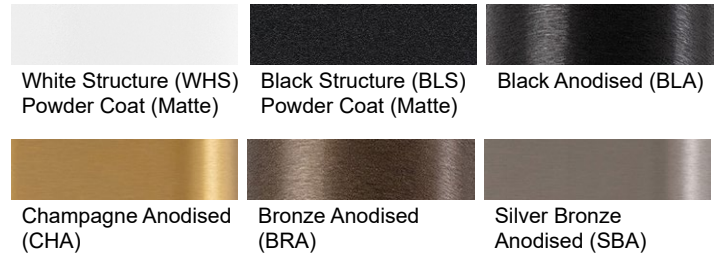
Minude Semi-Recessed Adjustable 1.8 1x

Fixture Specifications & Ordering Information

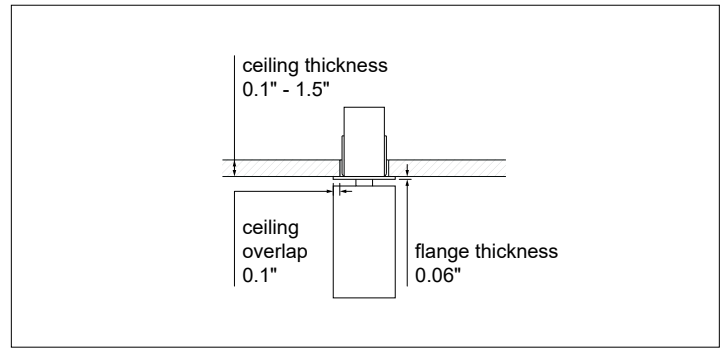
- Aperture: 1.7"
- Adjustability: 360° x 90°
- Ceiling / Wall Cutout: Ø1-9/16"
- Body Material: Machined aluminum
- Finish: Powder Coat or anodized
- Stem is always black
- Canopy finish is black unless white is selected (then it is white)
- Driver: Remote (ordered separately)
- Included: Plaster finish plate for 4x4 octagonal junction box*

* Junction box not required for installation. See installation instructions

Finish Information



Minude 1.8 Adjustable



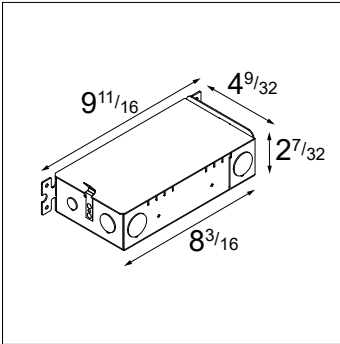
Ordering Information

MINUD-SR-A-1.8-1X	-	M	-	DP	-	DE	-	
Minude Semi-Recessed Adjustable 1.8 1x	27 2700K	M Lens Medium (30°)		DP Damp Location		DE Driver Excluded		WHS White Structure
	30 3000K							BLS Black Structure
	35 3500K							BLBA Anodized Black
								BRBA Anodized Bronze
								CHBA Anodized Champagne
								SBBA Anodized Silver Bronze

Minude Semi-Recessed Adjustable 1.8 1x

Remote Driver Specifications

- Remote Driver housing material: Sheet metal (galvanized steel)
- Remote driver housing can be bottom mounted, side mounted or mounted to t-bar grid.



Remote Driver Box

Remote Driver Information & Ordering

SELECTION ↓	ORDERING CODE	DIMMING TYPE	LAMP MODULE COMPATIBILITY	OUTPUT CURRENT	INPUT VOLTAGE	TYPICAL DIMMING LEVEL**	UL LOCATION					FIXTURE QUANTITY (SERIAL CONNECTION)		
							RECESSED TYPE IC	RECESSED TYPE NON-IC	SURFACE	CABINET	UNDER CABINET	1X	2X	3X
	NON-IC-RD-DP-010P-350-8	0-10V, ELV & Triac	Fixed CCT (2700K, 3000K, 3500K)	350mA	120-277VAC, 120VAC*	1%	-	X	X	X	X	X	-	-
	NON-IC-RD-DP-010P-350-14	0-10V, ELV & Triac	Fixed CCT (2700K, 3000K, 3500K)	350mA	120-277VAC, 120VAC*	1%	-	X	X	X	X	-	X	-
	NON-IC-RD-DP-010P-500-21	0-10V, ELV & Triac	Fixed CCT (2700K, 3000K, 3500K)	500mA	120-277VAC, 120VAC*	1%	-	X	X	X	X	-	X	-
	IC-RD-DP-TE1-500-12	ELV & Triac	Fixed CCT (2700K, 3000K, 3500K)	500mA	120VAC	1%	X	-	X	X	X	X	-	-
	IC-RD-DP-TE1-500-20	ELV & Triac	Fixed CCT (2700K, 3000K, 3500K)	500mA	120VAC	1%	X	-	X	X	X	-	X	-
	IC-RD-DP-0101-EL-350-30	0-10V	Fixed CCT (2700K, 3000K, 3500K)	350mA	120-277VAC	1%	X	-	X	X	X	X	X	X
	IC-RD-DP-0101-EL-500-30	0-10V	Fixed CCT (2700K, 3000K, 3500K)	500mA	120-277VAC	1%	X	-	X	X	X	X	X	-

* Dimming via ELV and Triac only compatible at 120VAC

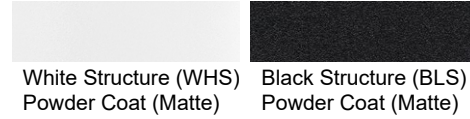
** Consult the factory for dimmer compatibility

Minude Semi-Recessed Adjustable 1.8 1x

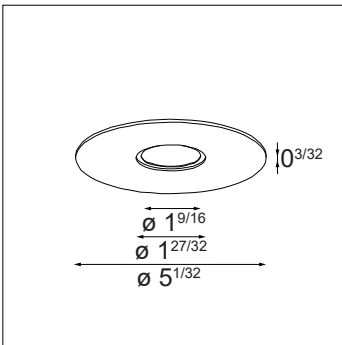
Mounting Accessories Specifications

- Accessories are optional (plaster plate comes standard*)
- Backplate / Cover Plate provides a cUL listed option for coving a 4"x4" octagonal electrical box or 3"x2" electrical box
- Cover Plate Material: Aluminum
- Cover Plate Finish: Powder Coat
- Plate Thickness: 0.08"
- Weight: 0.7lb

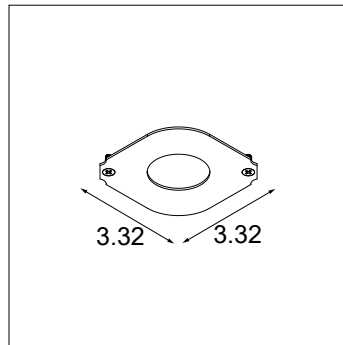
Plate Finish Options



* An additional plaster plate can be ordered to be delivered in advance



Optional Backplate / Cover Plate



Plaster Finish Plate for 4x4 octagonal junction box

Mounting Accessory Ordering Information

BP-C - **44** - **MINUDE-ADJ** -

Backplate Cover | **44** | 4"x4" Junction Box

WHS White Structure
BLS Black Structure

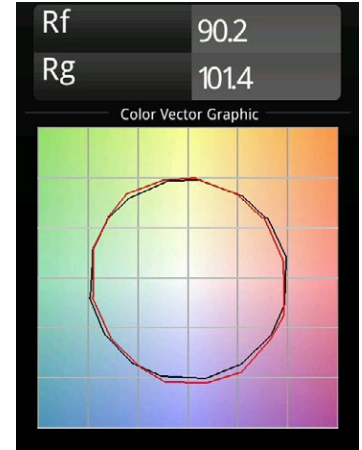
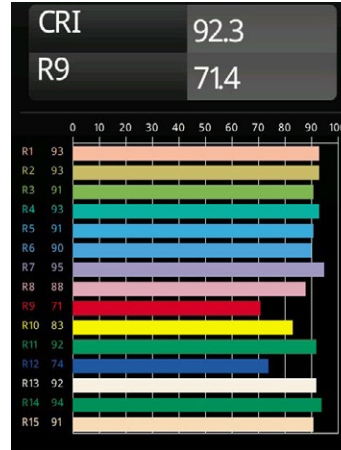
PP - **44** - **MINUDE-1.8**

Plaster Finish Plate for 4x4 octagonal junction box

Minute Semi-Recessed Adjustable 1.8 1x

Performance Specifications (per luminaire)

Ceiling Cutout	Ø1 9/16"
Weight	0.5lbs
Location	Damp
CRI*	92, R9: 71
Lifetime	L80 B20 @ 50.000 hrs
UGR	see website
Electrical (typical)**	
	350mA 500mA
Vf	16.4V 16.9V
Power**	5.7W 8.5W



* CRI & TM-30 Value for 3000K

** Power figures exclude remote driver

For photometric files see website or contact factory

Output Specifications

Reference: 3000K, medium beam, 500mA, White
() indicates multipliers

Reference Delivered Lumens	CCT	Optics	Drive Current	Finish
610lm	2700K (0.98) 3000K (1.0) 3500K (1.06)	LM (1.0)	350mA (0.74) 500mA (1.0)	WHS (1.0) BLS (0.97) BLBA (0.98) BRBA (1.0) CHBA (1.01) SBBA (1.0)

Example Calculation

To determine typical output for 2700K, 350mA, Black:
 $610 \times 0.98 \times 0.74 \times 0.97 = 429$ lumen

Listings and Certifications

- Damp location listed
- cUL & UL listed

Warranty

Visit <https://www.supermodular.com/warranty>