

Minude Semi-Recessed Adjustable 1.8

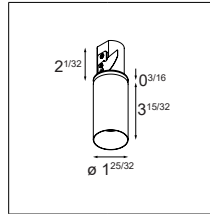
Overview



Adding a touch of minimalistic elegance is easy when you have Minude Semi-Recessed. A small cylinder, a deep-recessed light source, a long list of anodized colors and impressive flexibility. On walls or ceilings, with nothing but a small, circular plate hiding the installation hole.

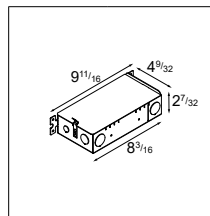
How to Specify (example)

1. Select Luminaire / Body → Page 2



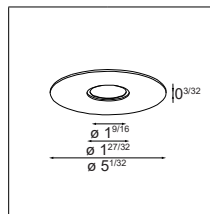
Example: **MINUD-SR-A-1.8-1X-30M-DP-DE-SBBA**
Minude Adjustable 1.8, 3000K, medium, damp rated, silver bronze brushed

3. Select Remote Driver → Page 3



Example: **NON-IC-RD-DP-010P-350-8**
Remote Driver, NON-IC rated, damp rated, 0-10V, ELV & Triac, 350mA, 8W

4. Select Mounting Accessory (optional) → Page 4



Example: **BP-C-44-MINUDE-ADJ-BLS**
Backplate Cover, for 4"x4" octagonal junction box, Minude Adjustable 1.8, black structure

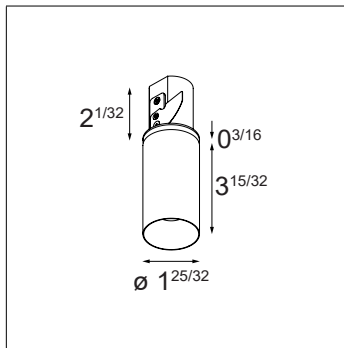
Example order:

Quantity	Item
1	MINUD-SR-A-1.8-1X-30M-DP-DE-SBBA
1	NON-IC-RD-DP-010P-350-8
1	BP-C-44-MINUDE-ADJ-BLS

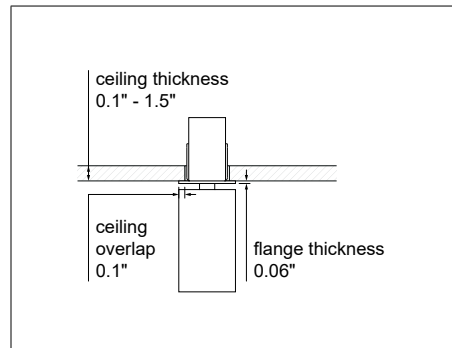
Minute Semi-Recessed Adjustable 1.8

Luminaire Specifications

- Aperture: 1.7"
- Adjustability: 360° x 90°
- Ceiling / wall cutout: Ø1 9/16"
- Body material: aluminum
- Body finish: powder coat, anodisation or chrome plating
- Canopy material: steel
- Canopy finish: black powder coat, unless white is selected (then it is white powder coat)
- Stem is always black
- Driver: not included in the body
- Must be combined with remote driver (specify on page 3)
- Included: connection box for installation without junction box
- Included: plaster finish plate for installation with a 4"x4" octagonal junction box
- Can optionally be combined with Backplate to cover the junction box (specify on page 4)



Minute Adjustable 1.8



Flange Information

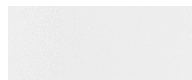
Finish Information



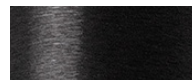
Black Chrome (BLCR)
Chrome Plating (Glossy)



Black Structure (BLS)
Powder Coat (Matte)



White Structure (WHS)
Powder Coat (Matte)



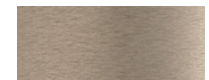
Black (BLBA)
Anodised (Brushed)



Bronze (BRBA)
Anodised (Brushed)



Champagne (CHBA)
Anodised (Brushed)



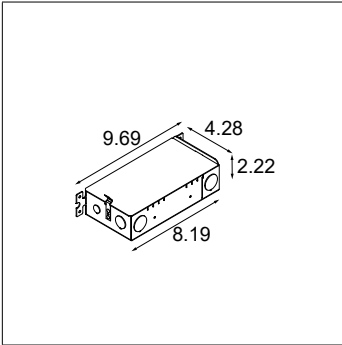
Silver Bronze (SBBA)
Anodised (Brushed)

Ordering Information

MINUD-SR-A-1.8-1X		-		M		-		DP		-		DE		-	
MINUD-SR-A-1.8-1X	Minute Adjustable 1.8	27	2700K	M	Medium (29°)	DP	Damp Location					BLCR	Black Chrome		
		30	3000K									BLS	Black Structure		
		35	3500K									WHS	White Structure		
												BLBA	Black Brushed		
												BRBA	Bronze Brushed		
												CHBA	Champagne Brushed		
												SBBA	Silver Bronze Brushed		

Remote Driver Specifications

- Material: sheet metal (galvanized steel)
- Class 2 constant current power supply
- Multiple lamp units can be connected in series to a single driver
- Box can be bottom, side or t-bar mounted
- 4 knockout holes for line voltage conduit or cable connection
- 4 knockout holes for low-voltage conduit or cable connection
- May be placed up to 50ft away using 16AWG wire
- Suitable for damp locations



Remote Driver

Remote Driver Specifications & Ordering Information

Ordering Code	Version	Input	Output	Dim ⁽²⁾	Driver Location					Lamp Units ⁽³⁾
					Recessed IC	Recessed Non-IC	Surface	Cabinet	Under Cabinet	Fixed CCT
IC-RD-DP-0101-EL-350-30	Remote Driver	120-277VAC	350mA	0-10V - 1%	Ⓜ	Ⓜ	Ⓜ	Ⓜ	Ⓜ	1 - 3
NON-IC-RD-DP-010P-350-8	Remote Driver	120-277VAC ⁽¹⁾	350mA	0-10V, ELV & Triac - 1%	Ⓜ	Ⓜ	Ⓜ	Ⓜ	Ⓜ	1
NON-IC-RD-DP-010P-350-14	Remote Driver	120-277VAC ⁽¹⁾	350mA	0-10V, ELV & Triac - 1%	Ⓜ	Ⓜ	Ⓜ	Ⓜ	Ⓜ	2
IC-RD-DP-0101-EL-500-30	Remote Driver	120-277VAC	500mA	0-10V - 1%	Ⓜ	Ⓜ	Ⓜ	Ⓜ	Ⓜ	1 - 2
IC-RD-DP-TE1-500-12	Remote Driver	120VAC	500mA	ELV & Triac - 1%	Ⓜ	Ⓜ	Ⓜ	Ⓜ	Ⓜ	1
IC-RD-DP-TE1-500-20	Remote Driver	120VAC	500mA	ELV & Triac - 1%	Ⓜ	Ⓜ	Ⓜ	Ⓜ	Ⓜ	2
NON-IC-RD-DP-010P-500-21	Remote Driver	120-277VAC ⁽¹⁾	500mA	0-10V, ELV & Triac - 1%	Ⓜ	Ⓜ	Ⓜ	Ⓜ	Ⓜ	2

⁽¹⁾ Dimming via ELV & Triac only compatible at 120VAC input

⁽²⁾ Consult the factory for dimmer compatibility

⁽³⁾ Minimum & maximum amount of compatible lamp units, multiple lamp units must be connected in series to a single driver

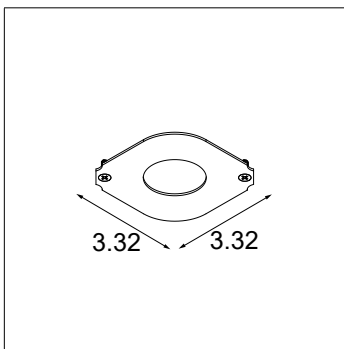
Accessories Specifications

Plaster Finish Plate

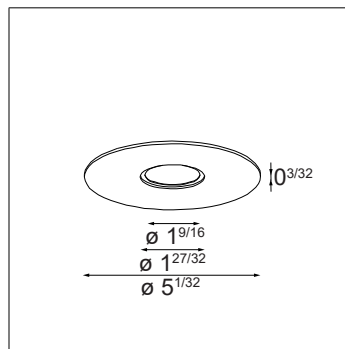
- Always included with the luminaire
- An additional Plaster Plate can be ordered, to be delivered in advance

Backplate

- Optional
- Covers a 4"x4" octagonal junction box
- Material: stainless steel
- Finish: powder coat
- Thickness: 0.08"
- Weight: 0.7lbs



Plaster Plate Minude Adjustable 1.8

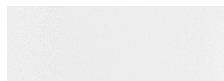


Backplate Minude Adjustable 1.8

Finish Information



Black Structure (BLS)
Powder Coat (Matte)



White Structure (WHS)
Powder Coat (Matte)

Ordering Information

PP	-	44	-	MINUDE-1.8
-----------	---	-----------	---	-------------------

PP Plaster Finish Plate | **44** For 4"x4" octagonal junction box | **MINUDE-1.8** Minude Adjustable 1.8

BP-C	-	44	-	MINUDE-ADJ	-	
-------------	---	-----------	---	-------------------	---	--

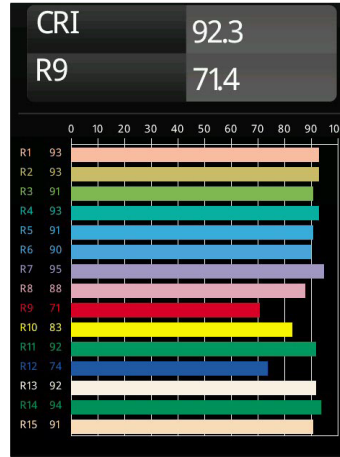
BP-C Backplate Cover | **44** For 4"x4" octagonal junction box | **MINUDE-ADJ** Minude Adjustable 1.8 | **BLS** Black Structure | **WHS** White Structure

Minute Semi-Recessed Adjustable 1.8

Performance Specifications

	Fixed CCT
Weight	0.5lbs
Adjustability	360° x 90°
Cut-Out Size	Ø1 9/16"
Location	damp
CRI*	92, R9: 71
Lifetime	L80 B20 @ 50,000 hrs
UGR	see website
Electrical (typical)	Fixed CCT
Drive Current (mA DC)	350 500
Forward Voltage (V)	16.4 16.9
LED Power (W)	5.7 8.5

* CRI & TM-30 Value for 3000K



For photometric files see website or contact factory.

Output Specifications

Reference Delivered Lumens	CCT	Optics	Drive Current	Finish
610 (ref. 3000K, M, 500mA, WHS)	2700K (0.98) 3000K (1.00) 3500K (1.06)	M (1.00)	350mA (0.74) 500mA (1.00)	BLCR (0.97) BLS (0.97) WHS (1.00) BLBA (0.98) BRBA (0.99) CHBA (1.01) SBBA (1.00)

Multipliers are indicated between brackets: ()

Example calculation, to determine typical output for 2700K, Medium, 350mA, Black Structure: 610 x (0.98) x (1.00) x (0.74) x (0.97) = 429 lumens

Listings and Certifications

- Listed: cULus
- Damp locations



Warranty

- Visit <https://www.supermodular.com/en-us/warranty/>