

## Marbul Surface Adjustable 4.5

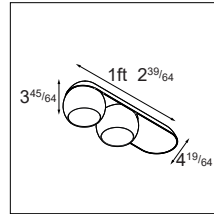
### Overview



Marbul Surface is an ideal choice for residential and hospitality projects, and a ready-made solution for renovation projects. Direct light with a simple twist of the lamp units, each with its own LED module. Cozy in a streamlined gear house, 1, 2 or 3 spheres seem to float against the ceiling.

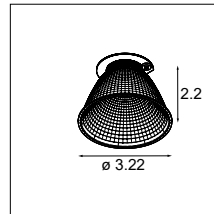
### How to Specify (Example)

#### 1. Select Lamp / Body → Page 2



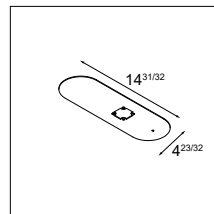
Example: **MARBU-S-A-4.5-2X-27-DP-010P-DI-350-BLS**  
(Marbul Surface Adjustable 4.5 2 lamp, 2700K, damp rated, 0-10V / ELV/ Triac, driver included, black structure)

#### 2. Select Optic → Page 3



Example: **O-MR-3.2-M-GOA**  
(Magnetic reflector 3.2", medium beam, gold)

#### 3. Select Accessories → Page 4



Example: **BP-C-44-MARBUL-2X-BLS**  
(Backplate, for 4x4, black)

#### Example Order:

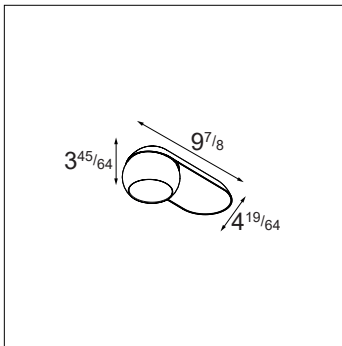
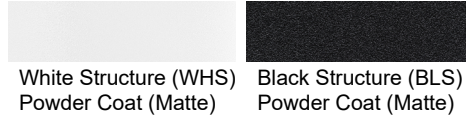
Qty.	Item
1	MARBU-S-A-4.5-2X-27-DP-010P-DI-350-BLS
2	O-MR-3.2-M-GOA
1	BP-C-44-MARBUL-2X-BLS

## Marbul Surface Adjustable 4.5

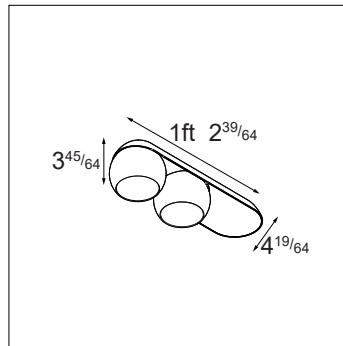
### Lamp Specifications & Ordering Information

- Aperture: 3.1"
- Adjustability: 360° x 45°
- Body Material: Cast Aluminum
- Finish: Powder Coat
- Driver: Included in Body
- Included: Plaster finish plate for 4x4 octagonal junction box

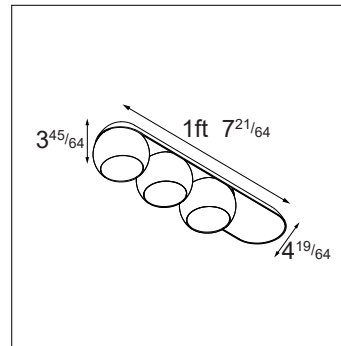
### Finish Options



Marbul 1X



Marbul 2X



Marbul 3X

### Ordering Information

<b>MARBU-S-A-4.5</b>	-	-	-	<b>DP</b>	-	<b>010P</b>	-	<b>DI-350</b>	-	
Marbul Surface Adjustable 4.5	<b>1X</b> 1 Lamp	<b>27</b> 2700K	<b>DP</b> Damp Location	<b>010P</b> 0-10V, ELV & Triac	<b>DI-350</b> Driver Included 350mA	<b>WHS</b> White Structure				
	<b>2X</b> 2 Lamp	<b>30</b> 3000K				<b>BLS</b> Black Structure				
	<b>3X</b> 3 Lamp	<b>35</b> 3500K								

### Driver Specifications

DRIVER	INPUT VOLTAGE	DIMMING TYPE	TYPICAL DIMMING LEVEL**	CONNECTED LOAD (TYPICAL)		
				1X	2X	3X
010P	120-277VAC, 120VAC*	0-10V, ELV & Triac	1%	8.5 W	17 W	23.5 W

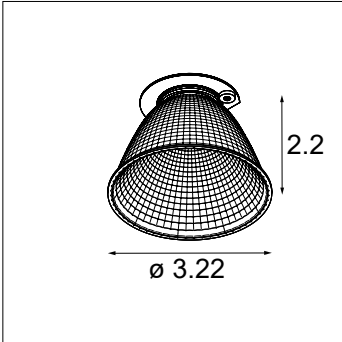
\* Dimming via ELV and Triac only compatible at 120VAC

\*\* Consult the factory for dimmer compatibility

## Marbul Surface Adjustable 4.5

### Optics Specifications

- Optic selection required for use with Marbul
- Optic needed for each lamp position (e.g. 2 reflectors needed for 2 lamp fixture)
- Optics attach magnetically and can be field installed
- Champagne and gold reflectors will warm the CCT. Contact the factory for more details.



Aluminum



Champagne



Gold

### Optic Information & Ordering

**O-MR** - **3.2** -

Optical Magnetic  
Reflector

3.2 3.2"

**F** Flood (40°)

**M** Medium (25°)

**S** Super  
Spot (10°)

**ALA** Aluminum

**CHA** Champagne

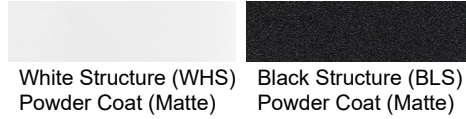
**GOA** Gold

## Marbul Surface Adjustable 4.5

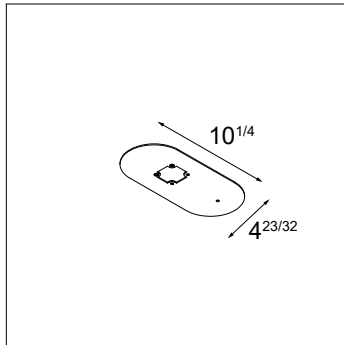
### Accessories Specifications

- Accessories are optional (plaster plate comes standard\*)
- Backplate / Cover Plate provides a cUL listed option for covering a 4x4 octagonal junction box
- Cover Plate Material: Stainless steel
- Cover Plate Finish: Powder Coat
- Plate Thickness: 0.08"
- Weight: 1.1lbs (1X version)  
1.5lbs (2X version)  
1.9lbs (3X version)

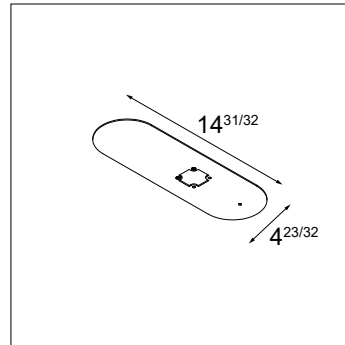
### Finish Options



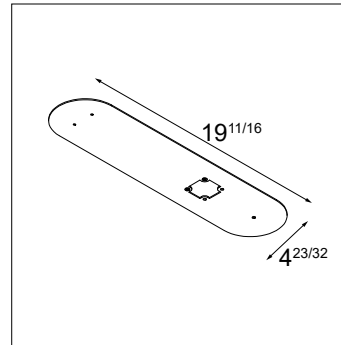
\* An additional plaster plate can be ordered to be delivered in advance



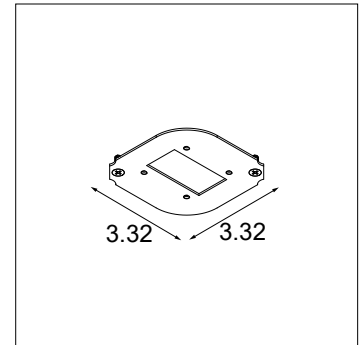
1X Cover Plate



2X Cover Plate



3X Cover Plate



Plaster Finish Plate for 4x4 octagonal junction box

### Accessory Ordering Information

<b>BP-C</b>	-	<b>44</b>	-	<b>MARBUL</b>	-	-
Backplate Cover		44	4"x4" Junction Box	Marbul	<b>1X</b> 1 Lamp <b>2X</b> 2 Lamp <b>3X</b> 3 Lamp	<b>WHS</b> White Structure <b>BLS</b> Black Structure

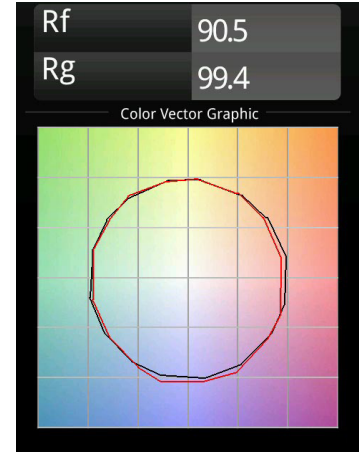
<b>PP</b>	-	<b>44</b>	-	<b>MARBUL</b>	-
Plaster Finish Plate for 4x4 octagonal junction box					<b>1X-2X</b> 1 Lamp / 2 Lamp <b>3X</b> 3 Lamp

## Marbul Surface Adjustable 4.5

### Performance Specifications (per lamp module)

Weight	1X - 2.5lbs 2X - 4.3lbs 3X - 6.4lbs
Location	Damp
CRI*	92, R9: 58
Lifetime	L80 B20 @ 50.000 hrs
UGR	see website

For photometric files see website or contact factory



\*CRI & TM-30 Value for 3000K, Aluminum Reflector

### Output Specifications

Multiply by 2 for 2X output and 3 for 3X output  
Reference: 3000K, 40deg (F), Aluminum Finish  
( ) indicates multipliers

Reference Delivered Lumens	CCT	Optics	Finish
720lm	2700K (0.88) 3000K (1.0) 3500K (1.02)	F (1.0) M (1.0) S (1.0)	ALA (1.0) CHA (0.85) GOA (0.74)

Example Calculation

To determine typical output for 2700K, Medium, Champagne:  
 $720 \times 0.88 \times 1.0 \times 0.85 = 532$  lumen

### Listings and Certifications

- Damp location listed
- cUL & UL listed
- Title 24 JA8 certified

### Warranty

Visit <https://www.supermodular.com/warranty>