

## Como Corner

### Overview



Como Corner is a linear lighting family that easily fits everywhere, discreetly, and whose ambient light will nicely accentuate vertical or horizontal lines in many spaces. For a seamless integration, Como Corner can even be painted the same color as the wall.

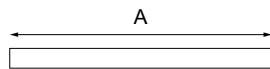
**Specification Worksheet**

- Shop drawing is required for all projects
- Contact the factory for projects bigger or more complex than this worksheet allows
- LED strip is field installed
- Identify 24V cable feed locations for each section or every 3m or 5m (LED roll lengths)
- For conversion (meters to feet): 1m = 3.28ft

**Luminaire**

Cover Style	Finish	CCT	LED Strip	LED Output
Curved	White Structure	2700K	Field Installed	1000lm/m
Straight		3000K		2000lm/m
		3500K		

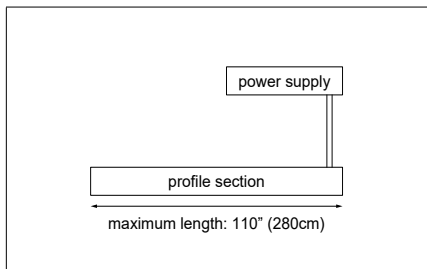
Pattern Type	Reference Name or Number	Length "A" (inches)	LEDs on 1 side or 2 sides	Endcap quantity (pcs)
--------------	--------------------------	---------------------	---------------------------	-----------------------



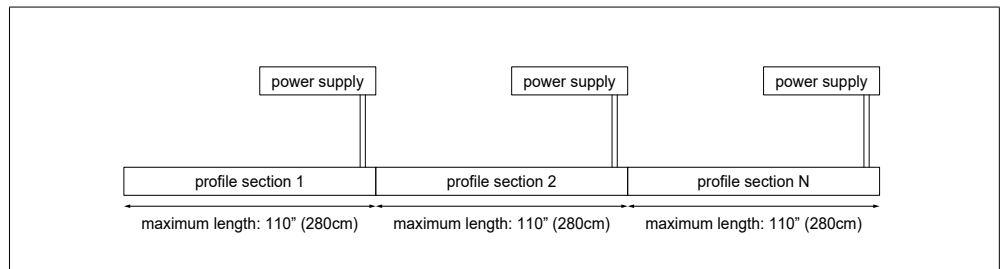
**Remote Driver**

Output Voltage	Output Power	Input	Dim Type	Quantity (pcs)
24VDC	60W	120-277VAC	0-10V, ELV & Triac	
24VDC	96W	120-277VAC	0-10V, ELV & Triac	

**Typical Layouts**



Single Profile



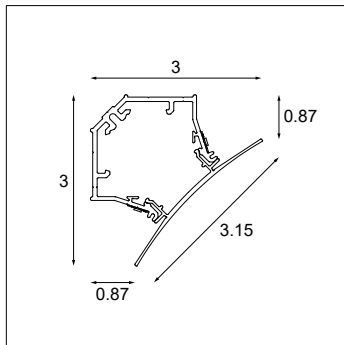
Multi Profile

### General Information

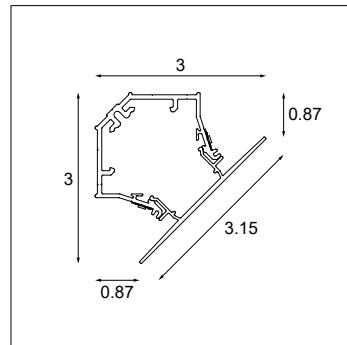
- Shop drawing is required for all projects
- Each profile / project is made to order
- Specify lengths to nearest 1/16"
- Base profile can be mounted to the ceiling or the wall
- Base profile material: extruded aluminum
- Base profile finish: anodisation
- Cover profile material: extruded aluminum
- Cover profile finish: powder coat
- Cover profile can be painted in the field to match the wall or ceiling
- Endplate is only needed when not ending flush at a wall, floor or ceiling
- Weight: maximum 1.4lb/ft

### Electrical

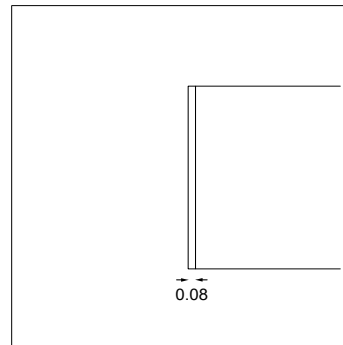
- UL Class 2 only
- 24VDC LED strip
- Requires power supply (remote driver)
- Maximum 96W per power feed



Base profile & Cover profile (Curved)



Base profile & Cover profile (Straight)



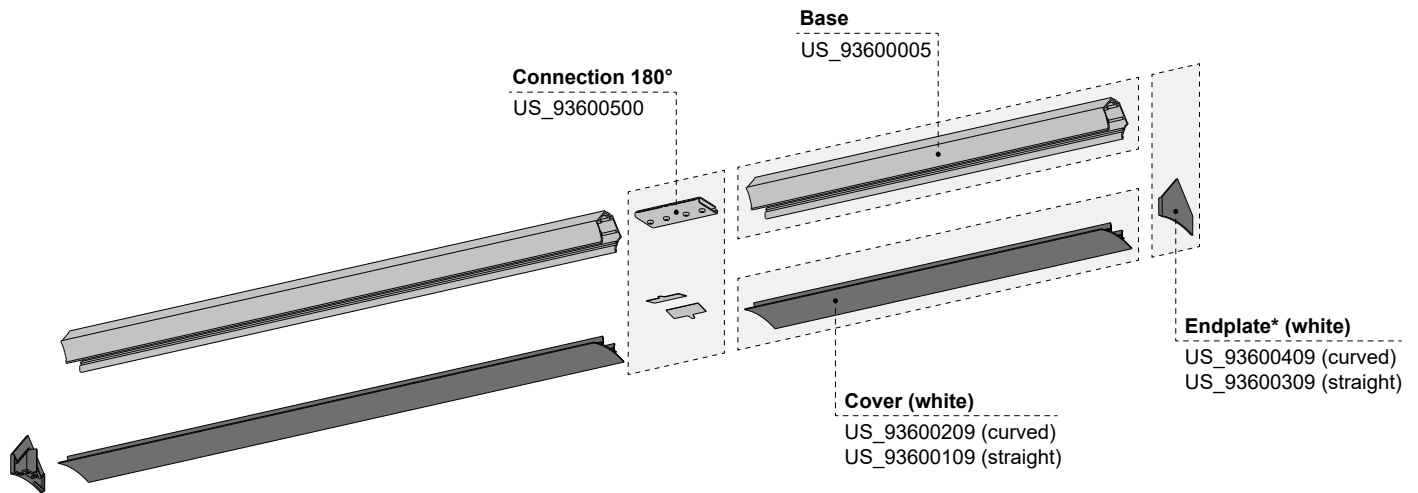
Endplate Thickness

### Finish Information

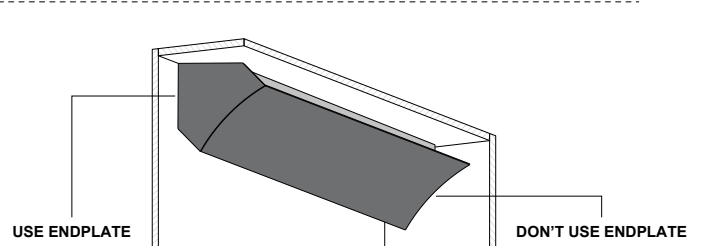
White Structure (WHS)  
Powder Coat (Matte)

**Components & Configuration**

- 180° connections can be used to join sections for “continuous run” appearance
- 180° connections are supplied with adhesive masks to prevent light leakage at the joint
- Surface fixation holes can be drilled in the field
- LED strip is field installed, it can be run over 180° joints for “continuous run” appearance
- LED strip can be installed on one side or both sides
- Identify 24V cable feed locations for each section or every 3m or 5m (LED roll lengths)
- For conversion (meters to feet): 1m = 3.28ft



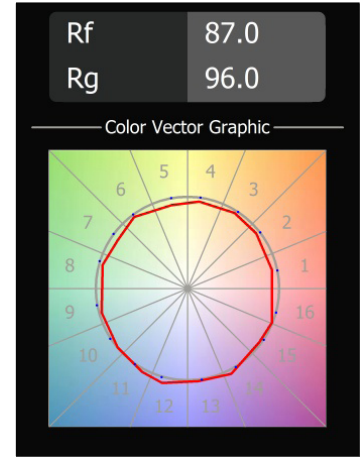
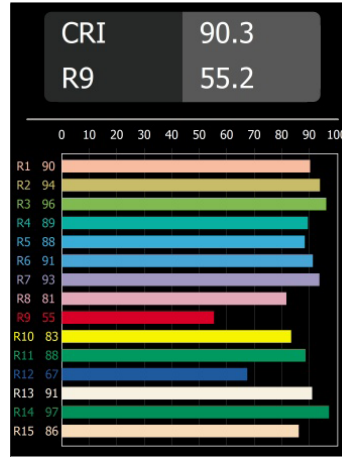
\* Endplate only needed when not ending flush at a wall, floor or ceiling:



### Performance & Output Specifications

- LEDs are flexible strips with 160 LEDs per meter
- Supplied in rolls of 3m (118") and 5m (196")
- Provided with 3M adhesive on the backside (with peel protector)
- Pre-terminated with low voltage wire leads, 20" long on each end
- Can be field cut every 8 LEDs, every 50mm (2")
- Suitable for damp locations (IP65 rated)
- CRI: >90
- Lifetime: 50,000 hrs
- Available in nominal 1000lm/m and 2000lm/m (source) outputs\*
- Can be mounted at the factory or can be field installed
- Photometric files and UGR: see website

\* Output varies slightly by CCT. See performance table below.



### Performance Table & Ordering Information

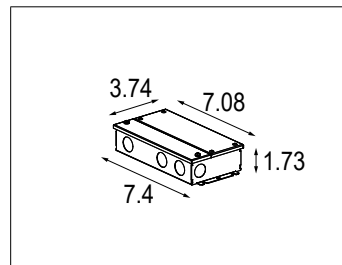
Article Code		Version	Power (LED on 1 side)		Power (LED on 2 sides)		Delivered lumens*		
Roll: 3m	Roll: 5m	Output	CCT	W/m	W/ft	W/m	W/ft	lm/m	lm/ft
US_93000032	US_93000016	1000lm/m	2700K	9.6	2.9	19.2	5.8	1854	565
US_93000033	US_93000017	1000lm/m	3000K	9.6	2.9	19.2	5.8	1973	601
US_93000034	US_93000018	1000lm/m	3500K	9.6	2.9	19.2	5.8	1892	577
US_93000035	US_93000026	2000lm/m	2700K	16.8	5.1	33.6	10.2	3245	989
US_93000036	US_93000027	2000lm/m	3000K	16.8	5.1	33.6	10.2	3452	1052
US_93000037	US_93000028	2000lm/m	3500K	16.8	5.1	33.6	10.2	2496	761

\* Delivered lumen values are typical and represent LED strips on both sides of Como Corner. For single side performance see the website for appropriate photometric files or contact the factory. Values were measured in free air and without walls/ceilings. Values will change depending on the finish and the color of the wall and ceiling.

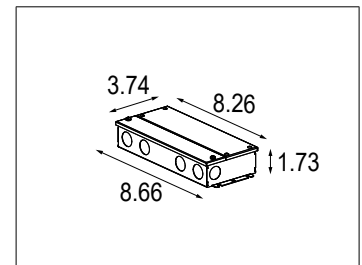
### Power Supply Specifications - Remote Drivers

- Class 2 constant voltage power supply
- Tri-Mode Dimming: 0-10V, ELV & Triac 100-1%\*\*
- 4 mounting holes for surface mounting
- 7 knockout holes for conduit or cable connection
- May be placed up to 50ft away using 16AWG wire
- Load: 10% - 90% of rated power
- Power factor: > 0.9
- Suitable for wet locations
- Weight: 2.4lbs (60W version), 3lbs (96W version)

\*\* Consult the factory for dimmer compatibility.



Remote Driver "A"



Remote Driver "B"

### Electrical Specifications & Ordering Information

Article Code	Version	Input	Output	Dim <sup>(3)</sup>
US_12400800	Remote Driver "A"	120-277VAC - 50/60Hz	24VDC - 60W	0-10V, ELV & Triac - 1%
US_12400801	Remote Driver "B"	120-277VAC - 50/60Hz	24VDC - 96W	0-10V, ELV & Triac - 1%

### Warranty

- Visit <https://www.supermodular.com/warranty>