

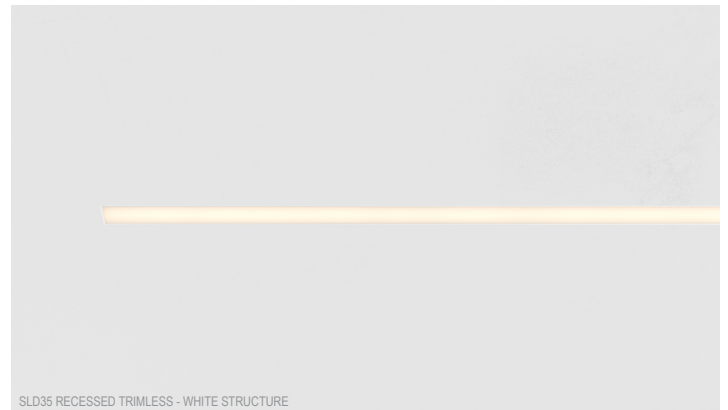
Overview



SLD35 SUSPENDED - BRONZE



SLD35 WALL - CHAMPAGNE



SLD35 RECESSED TRIMLESS - WHITE STRUCTURE

SLD35 is the new SL micro. Showing light lines with a little more presence than SLD25, brilliant when surface-mounted (ceiling or wall) or suspended, or even recessed (ceiling or wall). Its diffuser ending flush with its surface makes it a minimalist favourite. Available in lovely warm colours.

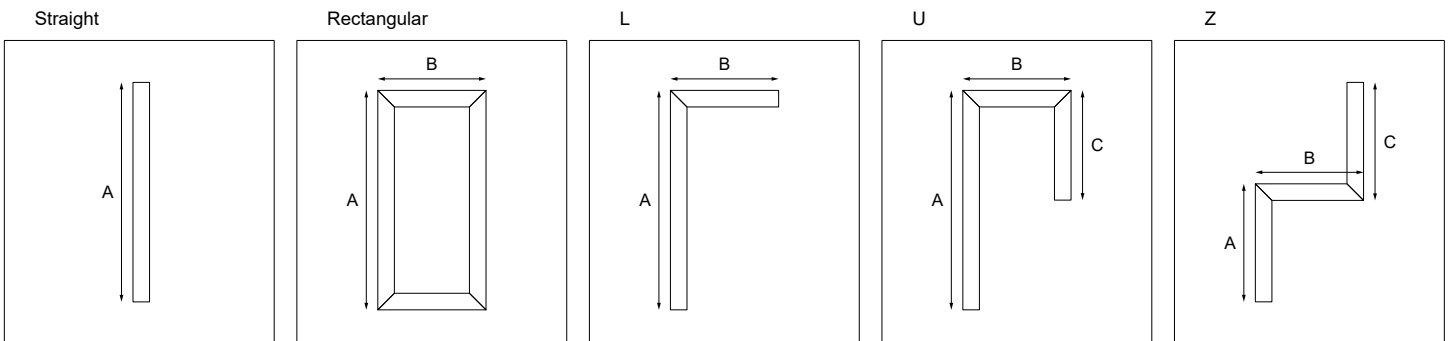
Specification Worksheet

- Shop drawing is required for all projects
- Contact the factory for projects bigger or more complex than this worksheet allows
- LED strip can be mounted at the factory or can be field installed
- Identify 24V cable feed locations for each section or every 3m or 5m (LED roll lengths)
- For conversion (meters to feet): 1m = 3.28ft

Luminaire

Mounting	Finish	CCT	LED Strip	LED Output
Surface Ceiling	Anodised Bronze	2700K	Factory Mounted	1000lm/m
Surface Wall	Anodised Champagne	3000K	Field Installed	2000lm/m
Recessed Flanged	Anodised Silver Bronze	3500K		
Recessed Trimless	Black Structure			
Suspended Ceiling	White Structure			

Pattern Type

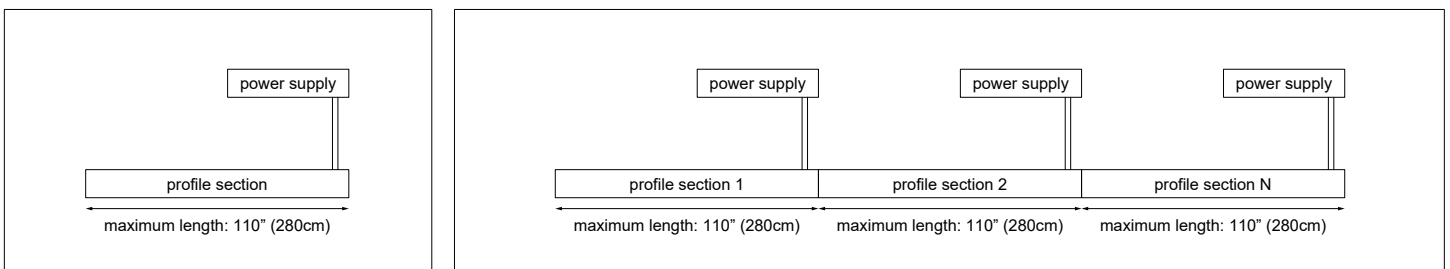


Overall Dimensions (inches)			Quantity (pcs)
A	B	C	

Remote Driver

Output Voltage	Output Power	Input	Dim Type	Quantity (pcs)
24VDC	60W	120-277VAC	0-10V, ELV & Triac	
24VDC	96W	120-277VAC	0-10V, ELV & Triac	

Typical Layouts



Single Profile

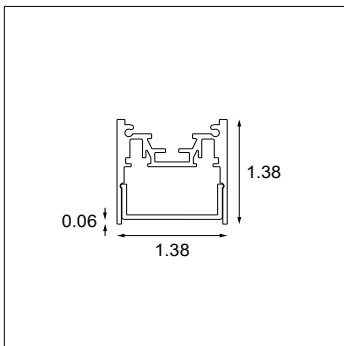
Multi Profile

General Information

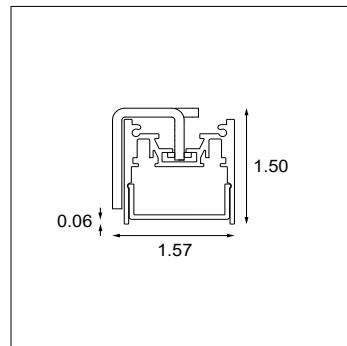
- Shop drawing is required for all projects
- Each profile / project is made to order
- Miter joints are cut at the factory
- Specify lengths to nearest 1/16"
- Base profile material: extruded aluminum
- Base profile finish: powder coat or anodisation
- Lens diffuser material: PMMA
- Weight: maximum 0.8lb/ft

Electrical

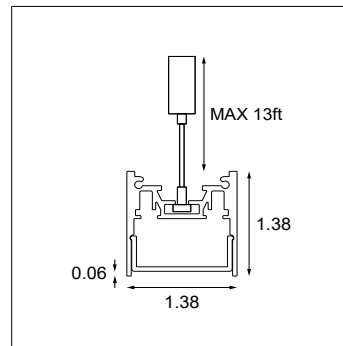
- UL Class 2 only
- 24VDC LED strip
- Requires power supply (remote driver)
- Maximum 96W per power feed



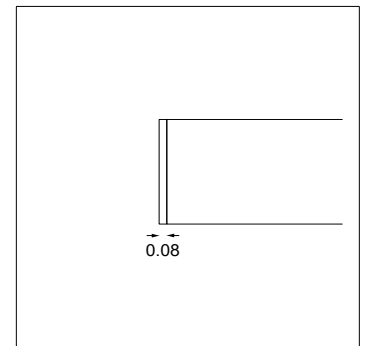
Surface Ceiling



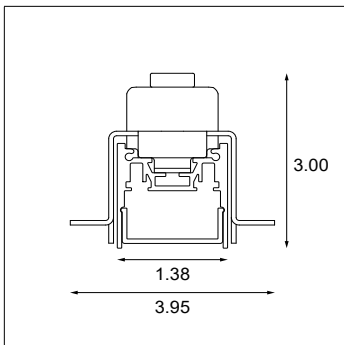
Surface Wall



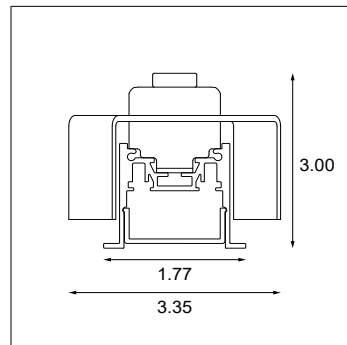
Suspended Ceiling



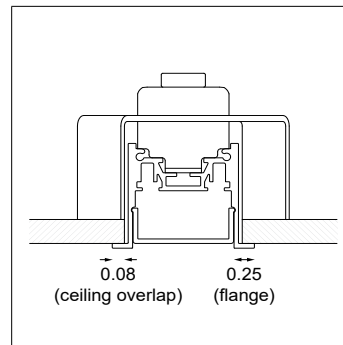
Endplate Thickness



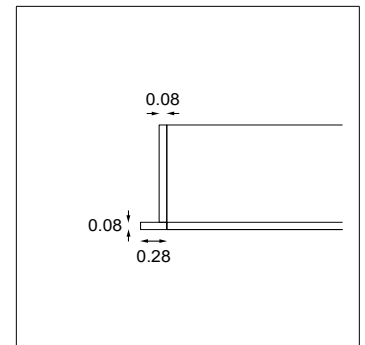
Recessed Trimless



Recessed Flanged

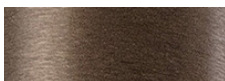


Flange Width (Recessed Flanged only)



Endplate Thickness (Recessed Flanged only)

Finish Information



Bronze (BRBA)
Anodised (Brushed)



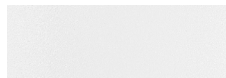
Champagne (CHBA)
Anodised (Brushed)



Silver Bronze (SBBA)
Anodised (Brushed)



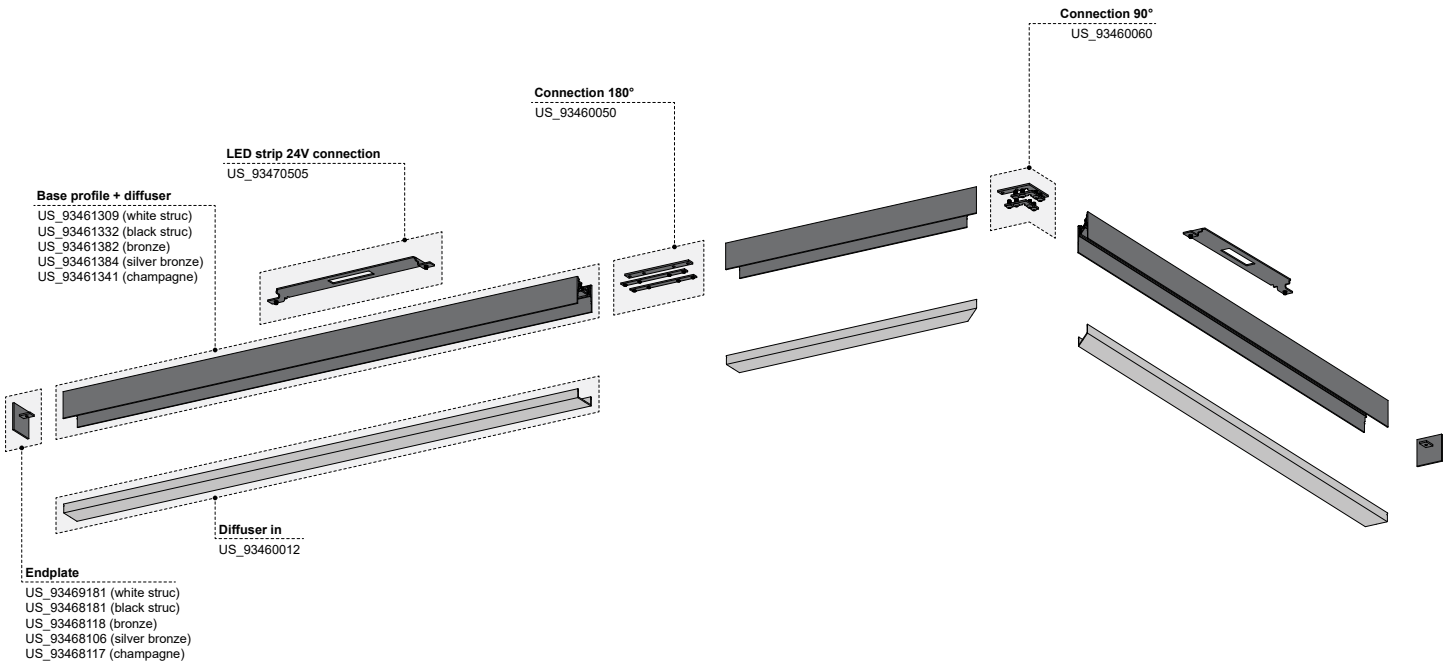
Black Structure (BLS)
Powder Coat (Matte)



White Structure (WHS)
Powder Coat (Matte)

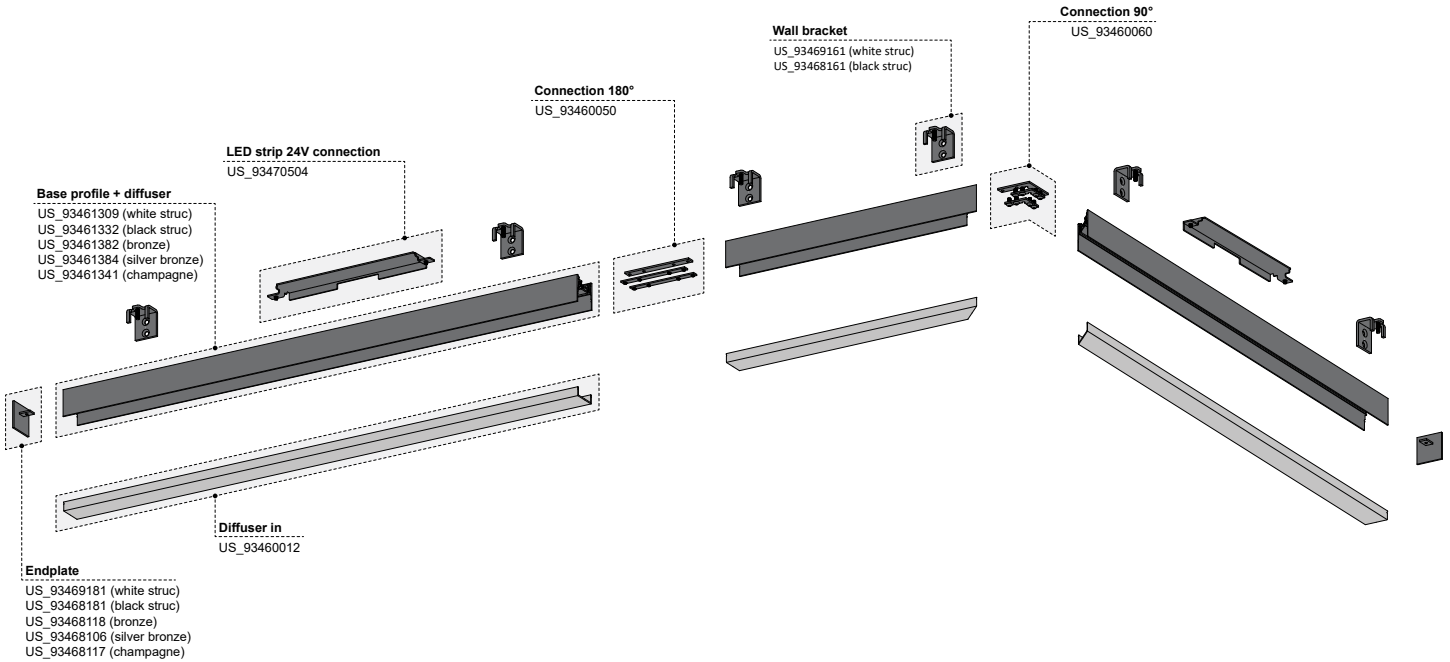
Components & Configuration - Surface Ceiling

- 180° connections can be used to join sections for “continuous run” appearance
- 90° connections can be used for inside or outside corners
- Surface fixation holes are milled at the factory (article code: US_93460162), additional surface fixation holes can be drilled in the field
- LED strip can be mounted at the factory or can be field installed
- If the LED strip is field installed, it can be run over 180° joints for “continuous run” appearance
- LED strip 24V connection is needed for each power feed
- Identify 24V cable feed locations for each section or every 3m or 5m (LED roll lengths)
- For conversion (meters to feet): 1m = 3.28ft



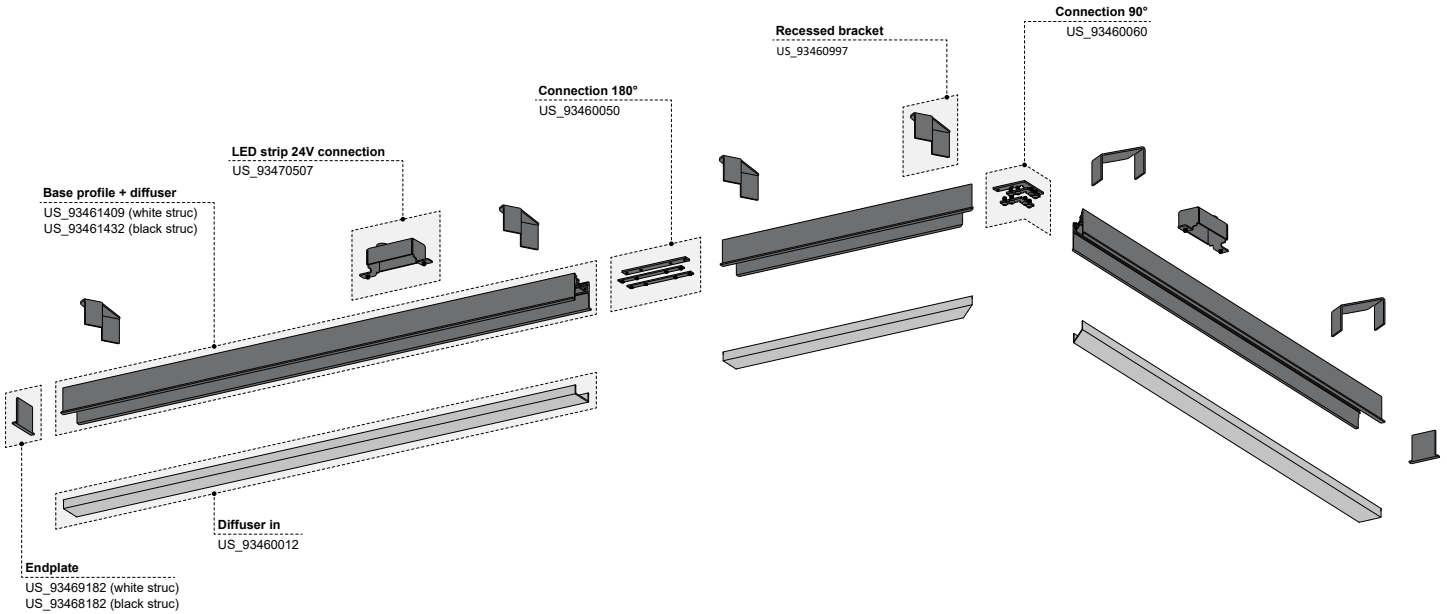
Components & Configuration - Surface Wall

- 180° connections can be used to join sections for “continuous run” appearance
- 90° connections can be used for inside or outside corners
- Number of wall brackets: every 4.9ft (1.5m) and minimum 2 per profile section
- LED strip can be mounted at the factory or can be field installed
- If the LED strip is field installed, it can be run over 180° joints for “continuous run” appearance
- LED strip 24V connection is needed for each power feed
- Identify 24V cable feed locations for each section or every 3m or 5m (LED roll lengths)
- For conversion (meters to feet): 1m = 3.28ft



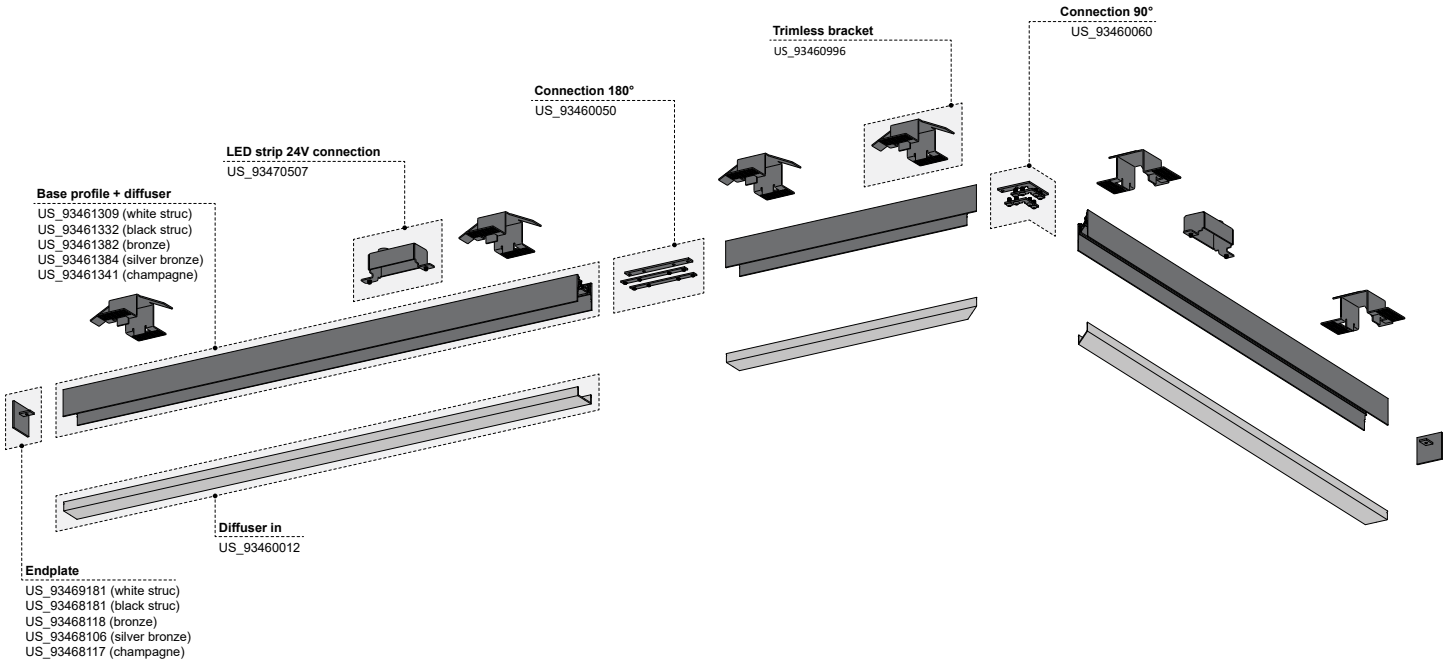
Components & Configuration - Recessed Flanged

- 180° connections can be used to join sections for “continuous run” appearance
- 90° connections can be used for inside or outside corners
- Number of recessed brackets: every 4.9ft (1.5m) and minimum 2 per profile section
- LED strip can be mounted at the factory or can be field installed
- If the LED strip is field installed, it can be run over 180° joints for “continuous run” appearance
- LED strip 24V connection is needed for each power feed
- Identify 24V cable feed locations for each section or every 3m or 5m (LED roll lengths)
- IC (insulation contact) rated
- Ceiling thickness: 1/16” - 1”
- For conversion (meters to feet): 1m = 3.28ft



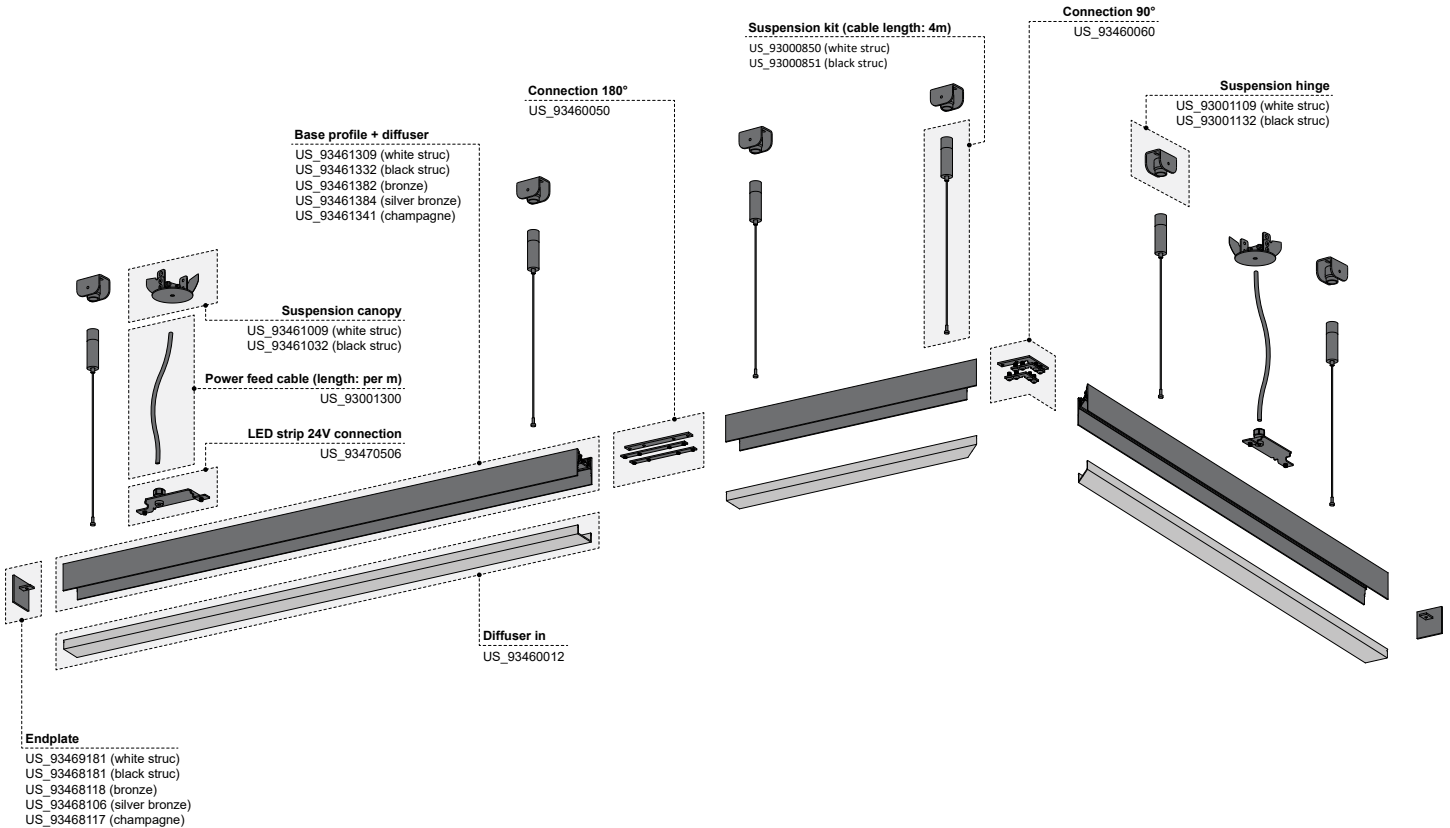
Components & Configuration - Recessed Trimless

- 180° connections can be used to join sections for “continuous run” appearance
- 90° connections can be used for inside or outside corners
- Number of trimless brackets: every 4.9ft (1.5m) and minimum 2 per profile section
- LED strip can be mounted at the factory or can be field installed
- If the LED strip is field installed, it can be run over 180° joints for “continuous run” appearance
- LED strip 24V connection is needed for each power feed
- Identify 24V cable feed locations for each section or every 3m or 5m (LED roll lengths)
- IC (insulation contact) rated
- Ceiling thickness: 3/8" - 1"
- Access above ceiling is required
- For conversion (meters to feet): 1m = 3.28ft



Components & Configuration - Suspended Ceiling

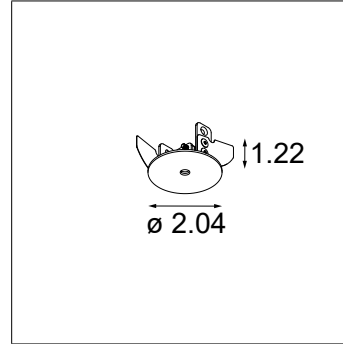
- 180° connections can be used to join sections for “continuous run” appearance
- 90° connections can be used for inside or outside corners
- Number of suspension kits: every 4.9ft (1.5m) and minimum 2 per profile section
- LED strip can be mounted at the factory or can be field installed
- If the LED strip is field installed, it can be run over 180° joints for “continuous run” appearance
- LED strip 24V connection is needed for each power feed
- Identify 24V cable feed locations for each section or every 3m or 5m (LED roll lengths)
- Power feed cable diameter: 0.23”
- Power feed cable color: black
- Power feed cable finish: PVC
- Suspension Canopy is optional
- For conversion (meters to feet): 1m = 3.28ft



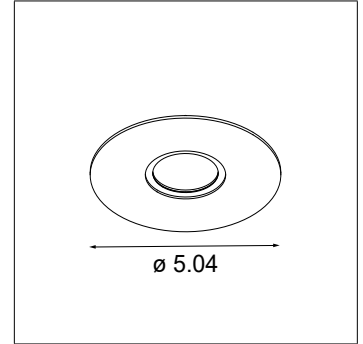
Mounting Accessories Specifications - Suspended Ceiling

Suspension Canopy

- Suspension Canopy is optional
- Must be combined with Backplate or Plaster Plate for installation with a 4"x4" octagonal junction box (ordered separately)
- Must be combined with Connection Box for installation without junction box (ordered separately)
- Material: stainless steel
- Finish: powder coat



Suspension Canopy



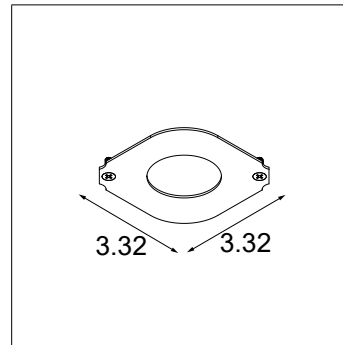
Backplate

Backplate

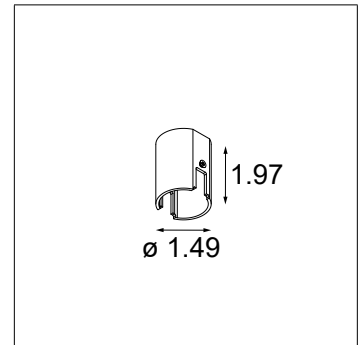
- For Suspension Canopy installation with a 4"x4" octagonal junction box
- Backplate covers the junction box
- Material: stainless steel
- Finish: powder coat
- Thickness: 0.08"
- Weight: 0.7lbs

Plaster Plate

- For Suspension Canopy installation with a 4"x4" octagonal junction box
- Plaster finish
- Material: stainless steel
- Thickness: 0.06"
- Weight: 0.2lbs



Plaster Plate



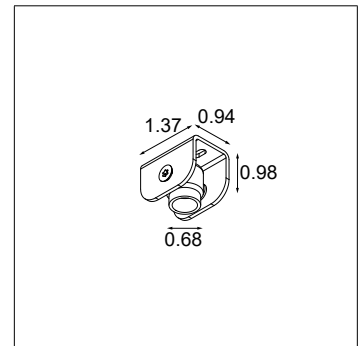
Connection Box

Connection Box

- For Suspension Canopy installation without junction box
- Ceiling cutout: Ø1 3/4"
- Connection Box material: aluminum
- Weight: 0.12lbs

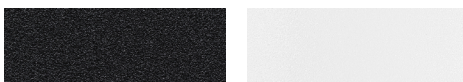
Suspension Hinge

- Hinge is required for installation on sloped ceilings
- Attaches to the Suspension Kits (aircraft cables)
- Bracket material: stainless steel
- Finish: powder coat



Suspension Hinge

Finish Information



Black Structure (BLS)
Powder Coat (Matte)

White Structure (WHS)
Powder Coat (Matte)

Ordering Information

Article Code	Version	Finish
US_93461032	Suspension Canopy	Black Structure
US_93461009	Suspension Canopy	White Structure
US_93461232	Backplate	Black Structure
US_93461209	Backplate	White Structure
US_93461101	Plaster Plate	n/a
US_93461100	Connection Box	n/a
US_93001132	Suspension Hinge	Black Structure
US_93001109	Suspension Hinge	White Structure

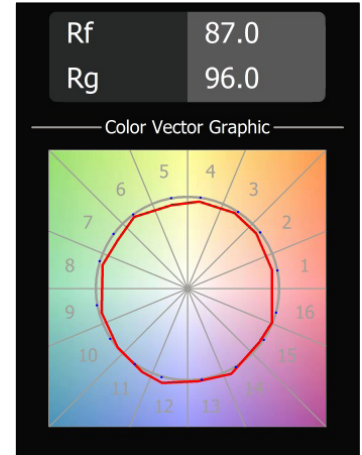
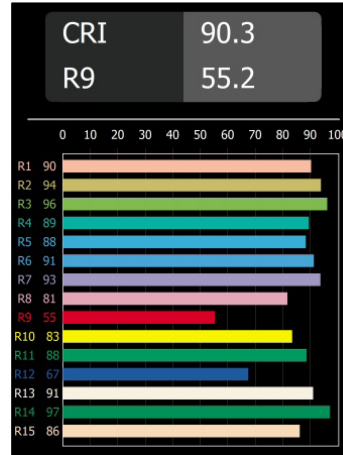
Performance & Output Specifications

- LEDs are flexible strips with 160 LEDs per meter
- Suitable for damp locations (IP65 rated)
- CRI: >90
- Lifetime: 50,000 hrs
- Available in nominal 1000lm/m and 2000lm/m (source) outputs*
- Can be mounted at the factory or can be field installed
- Beam angle: 105°
- Photometric files and UGR: see website

For LED strip field installation:

- Supplied in rolls of 3m (118") and 5m (196")
- Provided with 3M adhesive on the backside (with peel protector)
- Pre-terminated with low voltage wire leads, 20" long on each end
- Can be cut every 8 LEDs, every 50mm (2")

* Output varies slightly by CCT. See performance table below.



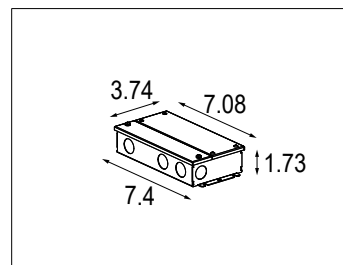
Performance Table & Ordering Information

Article Code		Version	Power		Delivered lumens			
Roll: 3m	Roll: 5m	Factory Mounted	Output	CCT	W/m	W/ft	lm/m	lm/ft
US_93000032	US_93000016	US_93000013	1000lm/m	2700K	9.6	2.9	690	210
US_93000033	US_93000017	US_93000014	1000lm/m	3000K	9.6	2.9	735	224
US_93000034	US_93000018	US_93000015	1000lm/m	3500K	14.4	4.4	797	243
US_93000035	US_93000026	US_93000047	2000lm/m	2700K	16.8	5.1	1208	368
US_93000036	US_93000027	US_93000048	2000lm/m	3000K	16.8	5.1	1285	392
US_93000037	US_93000028	US_93000049	2000lm/m	3500K	14.4	4.4	1052	321

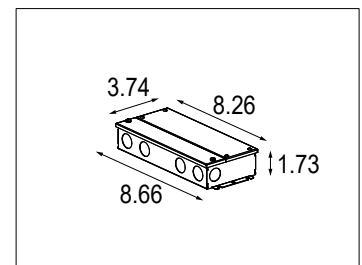
Power Supply Specifications - Remote Drivers

- Class 2 constant voltage power supply
- Tri-Mode Dimming: 0-10V, ELV & Triac 100-1%**
- 4 mounting holes for surface mounting
- 7 knockout holes for conduit or cable connection
- May be placed up to 50ft away using 16AWG wire
- Maximum load: 90% of rated power
- Power factor: > 0.9
- Suitable for wet locations
- Weight: 2.4lbs (60W version), 3lbs (96W version)

** Consult the factory for dimmer compatibility.



Remote Driver "A"



Remote Driver "B"

Electrical Specifications & Ordering Information

Article Code	Version	Input	Output	Dim ⁽³⁾
US_12400800	Remote Driver "A"	120-277VAC - 50/60Hz	24VDC - 60W	0-10V, ELV & Triac - 1%
US_12400801	Remote Driver "B"	120-277VAC - 50/60Hz	24VDC - 96W	0-10V, ELV & Triac - 1%

Listings & Certifications

- Listed: cULus
- Damp locations



Warranty

- Visit <https://www.supermodular.com/warranty>