



**MODULAR**  
LIGHTING  
INSTRUMENTS  
— by MLI NA Corporation

Project

Type

Contact

## *Semih Surface Adjustable 3.4*

### **Overview**

Semih Surface is made up of two equal, yet opposite parts: one is mounted to the ceiling and the other holds the lamp. Point it at specific objects or areas and add style to any interior. Semih is exceptionally easy to install, thanks to strong mounting magnets.

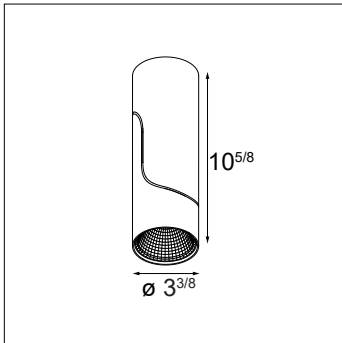


## Semih Surface Adjustable 3.4

### Lamp Specifications & Ordering Information

- Aperture: 3.1"
- Adjustability: 360° x 75°
- Body Material: Cast Aluminum
- Finish: Powder Coat
- Driver: Included in Body
- Included: Plaster finish plate for 4x4 octagonal junction box

#### Finish Options



Semih 3.4

### Ordering Information

<b>SEMIH-S-A-3.4-1X</b>	-		-	<b>DP</b>	-	<b>010P</b>	-		-
Semih Surface Adjustable 3.4 1x		27 2700K	<b>S</b> Spot (15°)	<b>DP</b> Damp Location		<b>010P</b> 0-10V, ELV & Triac		<b>DI-350</b> Driver Included 350mA	<b>WHS</b> White Structure
		30 3000K	<b>M</b> Medium (25°)					<b>DI-500</b> Driver Included 500mA	<b>BLS</b> Black Structure
		35 3500K	<b>F</b> Flood (40°)						

Example Ordering Code

<b>SEMIH-S-A-3.4-1X</b>	-	<b>30M</b>	-	<b>DP</b>	-	<b>010P</b>	-	<b>DI-500</b>	-	<b>BLS</b>
-------------------------	---	------------	---	-----------	---	-------------	---	---------------	---	------------

Semih Surface Adjustable 3.4 1x, 3000K, medium, damp rated, 0-10V and phase (LE + TE), driver included, 500mA, black structure

### Driver Specifications

DRIVER	OUTPUT CURRENT	INPUT VOLTAGE	DIMMING TYPE	TYPICAL DIMMING LEVEL**	CONNECTED LOAD (TYPICAL)
0-10V-TD-350	350mA	120-277VAC, 120VAC*	0-10V, ELV & Triac	1%	11 W
0-10V-TD-500	500mA	120-277VAC, 120VAC*	0-10V, ELV & Triac	1%	19 W

\* Dimming via ELV and Triac only compatible at 120VAC

\*\* Consult the factory for dimmer compatibility

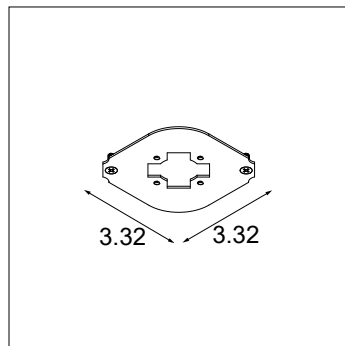
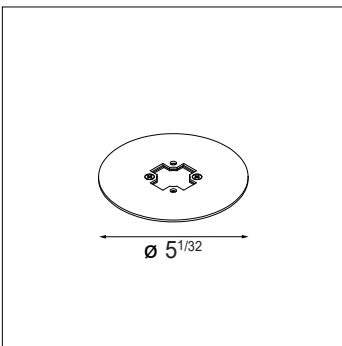
## Accessories Specifications

- Accessories are optional (plaster plate comes standard\*)
- Backplate / Cover Plate provides a cUL listed option for covering a 4x4 octagonal or 3x2 electrical box
- Cover Plate Material: Stainless steel
- Cover Plate Finish: Powder Coat
- Plate Thickness: 0.08"
- Weight: 0.7lbs

## Finish Options



\* An additional plaster plate can be ordered to be delivered in advance



## Accessory Ordering Information

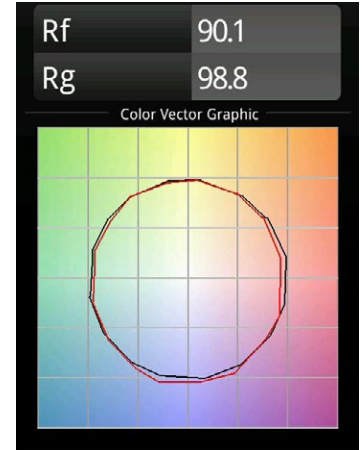
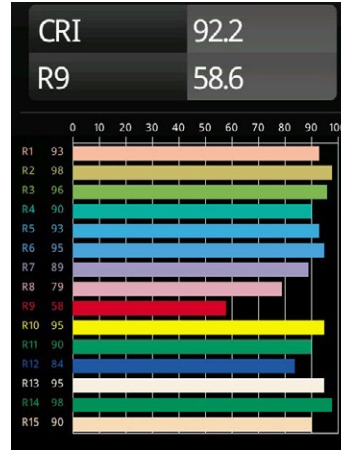
<b>BP-C</b>	-		-	<b>SEMIH</b>	-	<b>3.4</b>	-	
Backplate Cover	<b>44</b>	4"x4" Junction Box		Semih		3.4		<b>WHS</b> White Structure
	<b>32</b>	3"x2" Junction Box						<b>BLS</b> Black Structure
<b>PP</b>	-	<b>44</b>	-	<b>SEMIH</b>	-	<b>3.4</b>	-	
Plaster Finish Plate for 4x4 octagonal junction box								

## Semih Surface Adjustable 3.4

### Performance Specifications (per lamp module)

Weight	3.3lbs
Location	Damp
CRI*	92, R9: 58
Lifetime	L80 B20 @ 50.000 hrs
UGR	see website

For photometric files see website or contact factory



\*CRI & TM-30 Value for 3000K

### Output Specifications

Reference: 3000K, 40deg (FL), 500mA, White  
( ) indicates multipliers

Reference Delivered Lumens	CCT	Optics	Current	Finish
1517lm	2700K (0.95) 3000K (1.0) 3500K (1.05)	FL (1.0) ME (1.0) SP (1.0)	350mA (0.76) 500mA (1.0)	WHS (1.0) BLS (1.0)

#### Example Calculation

To determine typical output for 2700K, Medium, 350mA, Black:  
 $1517 \times 0.95 \times 1.0 \times 0.76 \times 1.0 = 1095 \text{ lumen}$

### Listings and Certifications

- Damp location listed
- cUL & UL listed
- Title 24 JA8 certified

### Warranty

Visit <https://www.supermodular.com/warranty>