

## Hollow Recessed Trimless Adjustable 4.5

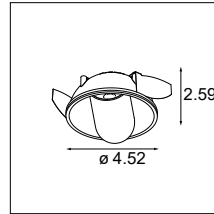
### Overview



Direct light when open and indirect light when closed. Hollow Recessed Trimless is there and not there, blending seamlessly into the ceiling sans trim. A symphony of opposites, Hollow Recessed Trimless is a downlighter that works with you. Adjustable, versatile, intriguing.

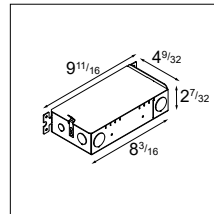
### How to Specify (Example)

#### 1. Select Lamp → Page 2



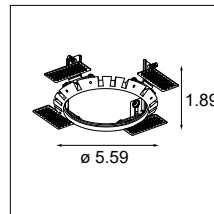
Example: **HOLLO-R-TL-A-4.5-1X-27M-DP-DE-WHS-WHS**  
(Hollow Recessed Trimless Adjustable 4.5 1x, 2700K, lens medium, damp rated, driver excluded, white tube / white body)

#### 2. Select Remote Driver → Page 2 & 3



Example: **IC-RD-DP-TE1-500-12**  
(IC rated, damp rated, ELV/Triac, 500mA, 12W)

#### 3. Select Recessed Trimless Ring → Page 4



Example: **RING-R-5.7**  
(recessed ring Ø5.7)

#### Example Order:

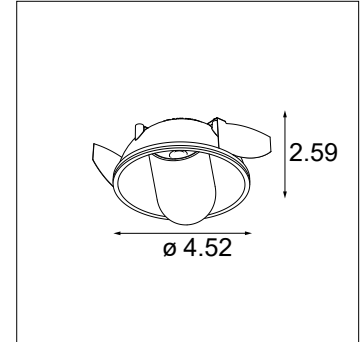
Qty.	Item
1	HOLLO-R-TL-A-4.5-1X-27M-DP-DE-WHS-WHS
1	IC-RD-DP-TE1-500-12
1	RING-R-5.7

## Hollow Recessed Trimless Adjustable 4.5

### Lamp Specifications & Ordering Information

- Insulation Contact (IC) rated
- Adjustability: 360° x 90°
- Body Material: Cast Aluminum
- Tube Material: Aluminum
- Tube diameter: 2"
- Finish: Powder Coat or wet paint\*
- Driver: Remote
- Cutout: Ø4-5/8"
- Fixtures can be installed on a ceiling or wall

\* Wet Paint is only used for the gold finish



### Finish Options



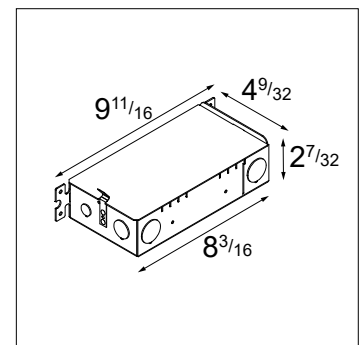
### Ordering Information

HOLLO-R-TL-A-4.5-1X		M		DP		DE			
27	2700K	M	Lens Medium (30°)	DP	Damp Location	DE	Driver Excluded	<b>WHS-WHS</b>	White struct tube, White struct body
30	3000K							<b>BLS-GOMT</b>	Black struct tube, Gold body
35	3500K							<b>BLS-WHS</b>	Black struct tube, White struct body
								<b>BLS-BLS</b>	Black struct tube, Black struct body
								<b>GOMT-GOMT</b>	Gold tube, Gold body

### Remote Driver Specifications

- Remote Driver housing material: Sheet metal (galvanized steel)
- Remote driver housing can be bottom mounted, side mounted or mounted to t-bar grid.

Remote Driver Information → see next page



## Hollow Recessed Trimless Adjustable 4.5

### Remote Driver Specifications

#### Remote Driver Information & Ordering

SELECTION ↓	ORDERING CODE	DIMMING TYPE	LAMP MODULE COMPATIBILITY	OUTPUT CURRENT	INPUT VOLTAGE	TYPICAL DIMMING LEVEL**	UL LOCATION					FIXTURE QUANTITY (SERIAL CONNECTION)		
							RECESSED TYPE IC	RECESSED TYPE NON-IC	SURFACE	CABINET	UNDER CABINET	1X	2X	3X
	NON-IC-RD-DP-010P-350-8	0-10V, ELV & Triac	Fixed CCT (2700K, 3000K, 3500K)	350mA	120-277VAC, 120VAC*	1%	-	X	X	X	X	X	-	-
	NON-IC-RD-DP-010P-350-14	0-10V, ELV & Triac	Fixed CCT (2700K, 3000K, 3500K)	350mA	120-277VAC, 120VAC*	1%	-	X	X	X	X	-	X	-
	NON-IC-RD-DP-010P-500-21	0-10V, ELV & Triac	Fixed CCT (2700K, 3000K, 3500K)	500mA	120-277VAC, 120VAC*	1%	-	X	X	X	X	-	X	-
	IC-RD-DP-TE1-500-12	ELV & Triac	Fixed CCT (2700K, 3000K, 3500K)	500mA	120VAC	1%	X	-	X	X	X	X	-	-
	IC-RD-DP-TE1-500-20	ELV & Triac	Fixed CCT (2700K, 3000K, 3500K)	500mA	120VAC	1%	X	-	X	X	X	-	X	-
	IC-RD-DP-ECO-LU-350-7-17	Lutron Ecosystem	Fixed CCT (2700K, 3000K, 3500K)	350mA	120-277VAC	1%	X	-	X	X	X	-	X	-
	NON-IC-RD-DP-2W-LU-350-2-14	Lutron 2-Wire (Triac)	Fixed CCT (2700K, 3000K, 3500K)	350mA	120VAC	1%	-	X	X	X	X	X	-	-
	NON-IC-RD-DP-2W-LU-350-3-26	Lutron 2-Wire (Triac)	Fixed CCT (2700K, 3000K, 3500K)	350mA	120VAC	1%	-	X	X	X	X	-	X	-
	NON-IC-RD-DP-2W-LU-350-6-27	Lutron 2-Wire (Triac)	Fixed CCT (2700K, 3000K, 3500K)	350mA	120VAC	1%	-	X	X	X	X	-	-	X
	NON-IC-RD-DP-2W-LU-500-2-14	Lutron 2-Wire (Triac)	Fixed CCT (2700K, 3000K, 3500K)	500mA	120VAC	1%	-	X	X	X	X	X	-	-
	NON-IC-RD-DP-2W-LU-500-3-26	Lutron 2-Wire (Triac)	Fixed CCT (2700K, 3000K, 3500K)	500mA	120VAC	1%	-	X	X	X	X	X	X	-
	NON-IC-RD-DP-2W-LU-500-6-27	Lutron 2-Wire (Triac)	Fixed CCT (2700K, 3000K, 3500K)	500mA	120VAC	1%	-	X	X	X	X	-	X	-
	IC-RD-DP-0101-EL-350-10	0-10V	Fixed CCT (2700K, 3000K, 3500K)	350mA	120-277VAC	1%	X	-	X	X	X	X	-	-
	IC-RD-DP-0101-EL-350-20	0-10V	Fixed CCT (2700K, 3000K, 3500K)	350mA	120-277VAC	1%	X	-	X	X	X	X	X	X
	IC-RD-DP-0101-EL-350-30	0-10V	Fixed CCT (2700K, 3000K, 3500K)	350mA	120-277VAC	1%	X	-	X	X	X	X	X	X
	IC-RD-DP-0101-EL-500-10	0-10V	Fixed CCT (2700K, 3000K, 3500K)	500mA	120-277VAC	1%	X	-	X	X	X	X	-	-
	IC-RD-DP-0101-EL-500-20	0-10V	Fixed CCT (2700K, 3000K, 3500K)	500mA	120-277VAC	1%	X	-	X	X	X	X	X	-
	IC-RD-DP-0101-EL-500-30	0-10V	Fixed CCT (2700K, 3000K, 3500K)	500mA	120-277VAC	1%	X	-	X	X	X	X	X	-
	IC-RD-DP-D1-EL-350-10	DALI	Fixed CCT (2700K, 3000K, 3500K)	350mA	120-277VAC	1%	X	-	X	X	X	X	-	-
	IC-RD-DP-D1-EL-350-20	DALI	Fixed CCT (2700K, 3000K, 3500K)	350mA	120-277VAC	1%	X	-	X	X	X	X	X	X
	IC-RD-DP-D1-EL-350-30	DALI	Fixed CCT (2700K, 3000K, 3500K)	350mA	120-277VAC	1%	X	-	X	X	X	X	X	X
	IC-RD-DP-D1-EL-500-10	DALI	Fixed CCT (2700K, 3000K, 3500K)	500mA	120-277VAC	1%	X	-	X	X	X	X	-	-
	IC-RD-DP-D1-EL-500-20	DALI	Fixed CCT (2700K, 3000K, 3500K)	500mA	120-277VAC	1%	X	-	X	X	X	X	X	-
	IC-RD-DP-D1-EL-500-30	DALI	Fixed CCT (2700K, 3000K, 3500K)	500mA	120-277VAC	1%	X	-	X	X	X	X	X	-

\* Dimming via ELV and Triac only compatible at 120VAC

\*\* Consult the factory for dimmer compatibility

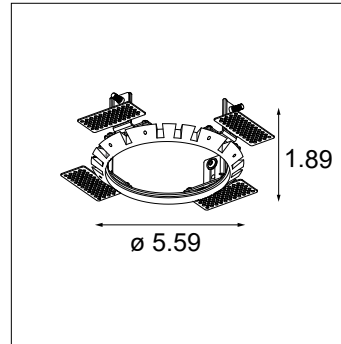
## Hollow Recessed Trimless Adjustable 4.5

### Recessed Ring Specifications & Ordering Information

- **Required for installation**
- Material: Cast Aluminum
- Opening diameter: 4.4"
- Minimum wall/ ceiling thickness: 0.04"
- Maximum wall / ceiling thickness: 1.2"

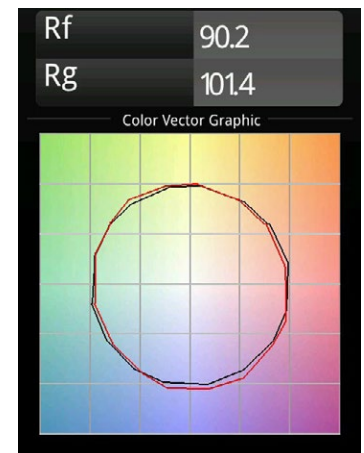
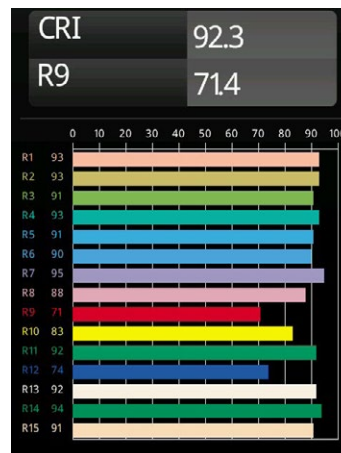
#### Ordering Information

<b>RING-R</b>	-	<b>5.7</b>
		5.7 Ø5.7 inches



### Performance Specifications (per luminaire)

Location	Damp	
CRI*	92, R9: 71	
Lifetime	L80 B20 @ 50,000 hrs	
UGR	see website	
Electrical (typical)**		
	350mA	500mA
Vf	16.4V	16.9V
Power**	5.7W	8.5W



For photometric files see website or contact factory

\* CRI & TM-30 Value for 3000K  
\*\* Power figures exclude remote driver

### Output Specifications

Reference: 3000K, 500mA  
Values Below are typical  
( ) indicates multipliers

Reference Delivered Lumens	CCT	Current
470	2700K (0.98) 3000K (1.0) 3500K (1.05)	350mA (0.74) 500mA (1.0)

Example Calculation  
To determine typical output for 2700K, 350mA  
 $470 \times 0.98 \times 0.74 = 341 \text{ lumen}$

### Listings and Certifications

- Damp location listed
- cUL & UL listed

### Warranty

Visit <https://www.supermodular.com/warranty>