



Project

Type

Contact

Hollow Recessed Trimless Adjustable 4.5

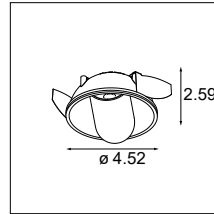
Overview



Direct light when open and indirect light when closed. Hollow Recessed Trimless is there and not there, blending seamlessly into the ceiling sans trim. A symphony of opposites, Hollow Recessed Trimless is a downlighter that works with you. Adjustable, versatile, intriguing.

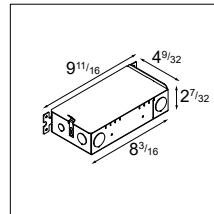
How to Specify (Example)

1. Select Lamp → Page 2



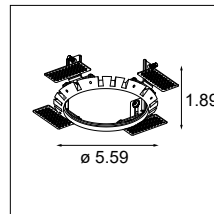
Example: **HOLLO-R-TL-A-4.5-1X-27M-DP-DE-WHS-WHS**
(Hollow Recessed Trimless Adjustable 4.5 1x, 2700K, lens medium, damp rated, driver excluded, white tube / white body)

2. Select Remote Driver → Page 3



Example: **IC-RD-DP-TE1-500-12**
(IC rated, damp rated, ELV/Triac, 500mA, 12W)

3. Select Recessed Trimless Ring → Page 3



Example: **RING-R-5.7**
(recessed ring Ø5.7)

Example Order:

Qty.	Item
1	HOLLO-R-TL-A-4.5-1X-27M-DP-DE-WHS-WHS
1	IC-RD-DP-TE1-500-12
1	RING-R-5.7

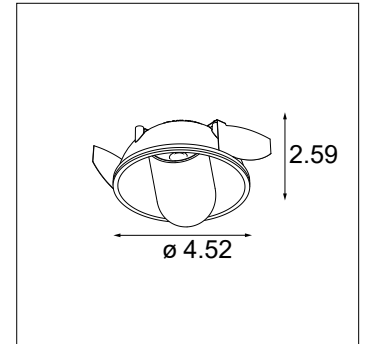


Hollow Recessed Trimless Adjustable 4.5

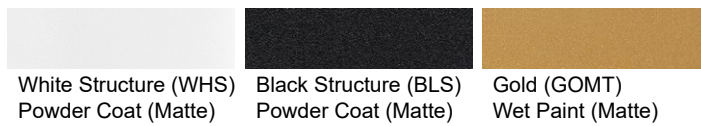
Lamp Specifications & Ordering Information

- Insulation Contact (IC) rated
- Adjustability: 360° x 90°
- Body Material: Cast Aluminum
- Tube Material: Aluminum
- Tube diameter: 2"
- Finish: Powder Coat or wet paint*
- Driver: Remote
- Cutout: Ø4-5/8"
- Fixtures can be installed on a ceiling or wall

* Wet Paint is only used for the gold finish



Finish Options



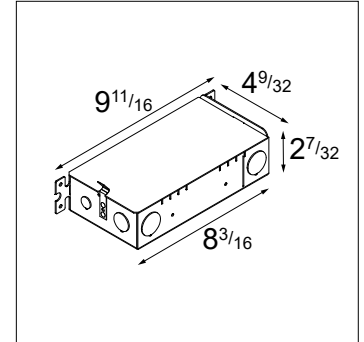
Ordering Information

HOLLO-R-TL-A-4.5-1X	-	M	-	DP	-	DE	-	
27	2700K	M	Lens Medium (30°)	DP	Damp Location	DE	Driver Excluded	WHS-WHS White struct tube, White struct body
30	3000K							BLS-GOMT Black struct tube, Gold body
35	3500K							BLS-WHS Black struct tube, White struct body
								BLS-BLS Black struct tube, Black struct body
								GOMT-GOMT Gold tube, Gold body

Hollow Recessed Trimless Adjustable 4.5

Remote Driver Specifications

- Remote Driver housing material: Sheet metal (galvanized steel)
- Remote driver housing can be bottom mounted, side mounted or mounted to t-bar grid.



Remote Driver Information & Ordering

SELECTION ↓	ORDERING CODE	DIMMING TYPE	LAMP MODULE COMPATIBILITY	OUTPUT CURRENT	INPUT VOLTAGE	TYPICAL DIMMING LEVEL**	UL LOCATION					FIXTURE QUANTITY (SERIAL CONNECTION)			
							RECESSED TYPE IC	RECESSED TYPE NON-IC	SURFACE	CABINET	UNDER CABINET	1X	2X	3X	
	NON-IC-RD-DP-010P-350-8	0-10V, ELV & Triac	Fixed CCT (2700K, 3000K, 3500K)	350mA	120-277VAC, 120VAC*	1%	-	X	X	X	X	X	-	-	-
	NON-IC-RD-DP-010P-350-14	0-10V, ELV & Triac	Fixed CCT (2700K, 3000K, 3500K)	350mA	120-277VAC, 120VAC*	1%	-	X	X	X	X	-	X	-	-
	NON-IC-RD-DP-010P-500-21	0-10V, ELV & Triac	Fixed CCT (2700K, 3000K, 3500K)	500mA	120-277VAC, 120VAC*	1%	-	X	X	X	X	-	X	-	-
	IC-RD-DP-TE1-500-12	ELV & Triac	Fixed CCT (2700K, 3000K, 3500K)	500mA	120VAC	1%	X	-	X	X	X	X	-	-	-
	IC-RD-DP-TE1-500-20	ELV & Triac	Fixed CCT (2700K, 3000K, 3500K)	500mA	120VAC	1%	X	-	X	X	X	-	X	-	-
	IC-RD-DP-ECO-LU-350-7-17	Lutron Ecosystem	Fixed CCT (2700K, 3000K, 3500K)	350mA	120-277VAC	1%	X	-	X	X	X	-	X	-	-
	IC-RD-DP-0101-EL-350-30	0-10V	Fixed CCT (2700K, 3000K, 3500K)	350mA	120-277VAC	1%	X	-	X	X	X	X	X	X	X
	IC-RD-DP-0101-EL-500-30	0-10V	Fixed CCT (2700K, 3000K, 3500K)	500mA	120-277VAC	1%	X	-	X	X	X	X	X	X	-

* Dimming via ELV and Triac only compatible at 120VAC

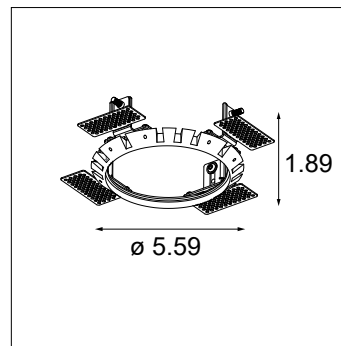
** Consult the factory for dimmer compatibility

Recessed Ring Specifications & Ordering Information

- **Required for installation**
- Material: Cast Aluminum
- Opening diameter: 4.4"
- Minimum wall/ ceiling thickness: 0.04"
- Maximum wall / ceiling thickness: 1.2"

Ordering Information

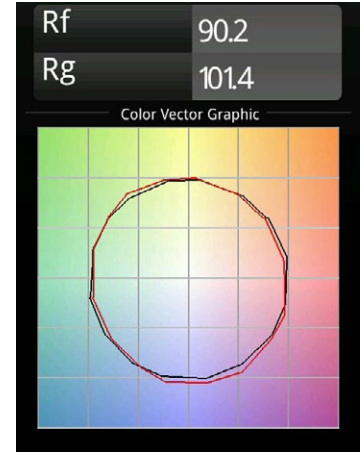
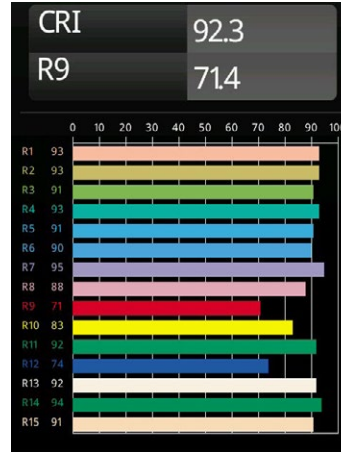
RING-R	-	5.7
5.7 Ø5.7 inches		



Hollow Recessed Trimless Adjustable 4.5

Performance Specifications (per luminaire)

Location	Damp	
CRI*	92, R9: 71	
Lifetime	L80 B20 @ 50,000 hrs	
UGR	see website	
Electrical (typical)**		
	350mA	500mA
Vf	16.4V	16.9V
Power**	5.7W	8.5W



* CRI & TM-30 Value for 3000K

** Power figures exclude remote driver

For photometric files see website or contact factory

Output Specifications

Reference: 3000K, 500mA
Values Below are typical
() indicates multipliers

Reference Delivered Lumens	CCT	Current
470	2700K (0.98) 3000K (1.0) 3500K (1.05)	350mA (0.74) 500mA (1.0)

Example Calculation
To determine typical output for 2700K, 350mA
 $470 \times 0.98 \times 0.74 = 341$ lumen

Listings and Certifications

- Damp location listed
- cUL & UL listed

Warranty

Visit <https://www.supermodular.com/warranty>