



**MODULAR**  
LIGHTING  
INSTRUMENTS  
— by MLI NA Corporation

Project

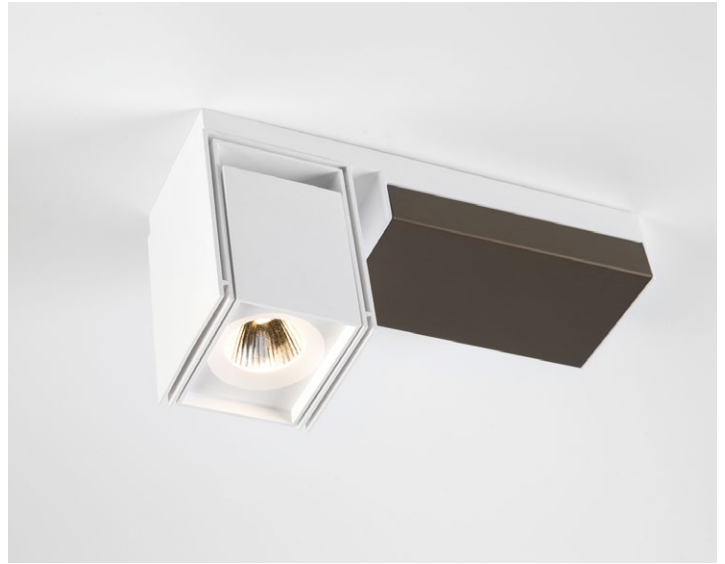
Type

Contact

## Rektor Surface

### Overview

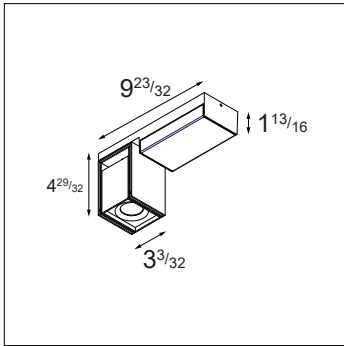
Winner of the 2014 Henry Van de Velde design award, Rektor Surface showcases the distinguished effects of right angles and accented light. A refined, industrial design available surface-mounted with 1 or two lamp units, and a sleek driver box that comes in several anodized colors.



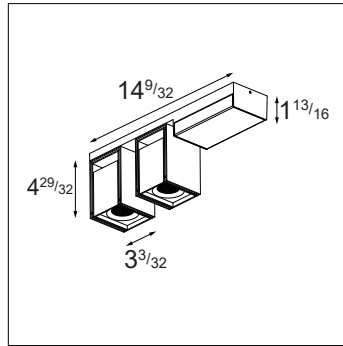
## Lamp Specifications & Ordering Information

- Aperture: 1.5"
- Adjustability: 360° x 90°
- Body Material: Aluminum
- Body Finish: Powder coat
- Cover Finish: Powder coat, anodized or chrome plated
- Driver: Included in Body
- Included: Plaster finish plate for 4x4 octagonal junction box

### Finish Information



Rektor 1X



Rektor 2X

## Ordering Information

				DP	010P		DI						
<b>REKTO-S-A-3X3-1X</b>	Rektor Surface Adjustable 3x3, 1 lamp	27	2700K	<b>M</b>	Medium (25°)	<b>DP</b>	Damp Location	<b>010P</b>	0-10V, ELV & Triac	<b>DI</b>	Driver Included	<b>BLS-BLS</b>	(Body / Cover) Black / Black
<b>REKTO-S-A-3X3-2X</b>	Rektor Surface Adjustable 3x3, 2 lamp	30	3000K	<b>F</b>	Flood (40°)							<b>BLS-ALBA</b>	Black / Brushed Aluminum
		35	3500K									<b>BLS-SICR</b>	Black / Silver Chrome
												<b>WHS-BRBA</b>	Black / Brushed Bronze
												<b>WHS-WHS</b>	White / White
												<b>WHS-ALBA</b>	White / Brushed Aluminum
												<b>WHS-SICR</b>	White / Silver Chrome
												<b>WHS-BRBA</b>	White / Brushed Bronze

### Example Ordering Code

<b>REKTO-S-A-3X3-2X</b>	-	<b>27M</b>	-	<b>DP</b>	-	<b>010P</b>	-	<b>DI</b>	-	<b>BLS-SICR</b>
-------------------------	---	------------	---	-----------	---	-------------	---	-----------	---	-----------------

Rektor Surface Adjustable 3x3" 2 lamp, 2700K, medium, damp rated, 0-10V and phase (LE + TE), driver included, black structure-silver chrome)

## Driver Specifications

DRIVER	INPUT VOLTAGE	DIMMING TYPE	TYPICAL DIMMING LEVEL**	CONNECTED LOAD (TYPICAL)	
				1X	2X
010P	120-277VAC, 120VAC*	0-10V, ELV & Triac	1%	19 W	36.5 W

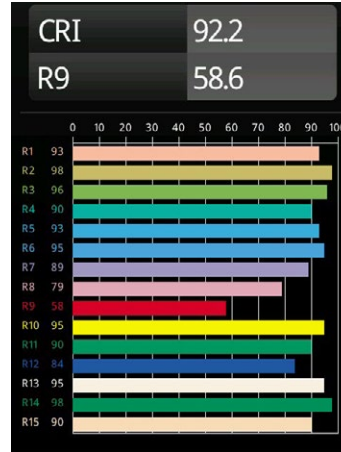
\* Dimming via ELV and Triac only compatible at 120VAC

\*\* Consult the factory for dimmer compatibility

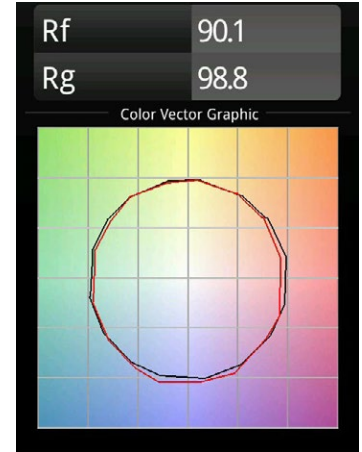
## Performance Specifications (per lamp module)

Weight	1X - 3.3lbs 2X - 5.4lbs
Location	Damp
CRI*	92, R9: 58
Lifetime	L80 B20 @ 50.000 hrs
UGR	see website

For photometric files see website or contact factory



\*CRI & TM-30 Value for 3000K



## Output Specifications

Multiply by 2 for 2X output  
Reference: 3000K, 40deg (F), White  
( ) indicates multipliers

Reference Delivered Lumens	CCT	Optics	Finish
1487lm	2700K (0.88) 3000K (1.0) 3500K (0.98)	M (1.0) F (1.0)	WHS (1.0) BLS (0.94)

Example Calculation  
To determine typical output for 2700K, Medium, Black:  
 $1487 \times 0.88 \times 1.0 \times 0.94 = 1230$  lumen

## Listings and Certifications

- Damp location listed
- cUL & UL listed
- Title 24 JA8 certified

## Warranty

Visit <https://www.supermodular.com/warranty>