

Hollow Recessed Adjustable 4.9

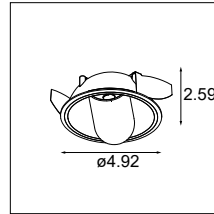
Overview



Direct light when open and indirect light when closed. Hollow Recessed is there and not there, with only a rim to be seen. A symphony of opposites, Hollow Recessed is a downlighter that works with you. Adjustable and versatile. For spaces that welcome intrigue and personality.

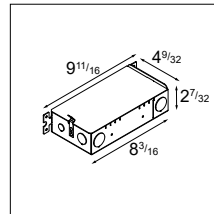
How to Specify (Example)

1. Select Lamp → Page 2



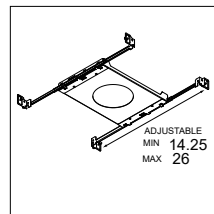
Example: **HOLLO-R-A-4.9-1X-27M-DP-DE-BLS-GOMT**
(Hollow Recessed Adjustable 4.9 1x, 2700K, lens medium, damp rated, driver excluded, black tube / gold body)

2. Select Remote Driver → Page 3



Example: **IC-RD-DP-TE1-500-12**
(IC rated, damp rated, ELV/Triac, 500mA, 12W)

3. Select Optional Accessory → Page 3



Example: **NCF-4.6**
(New Construction Frame 4.6)

Example Order:

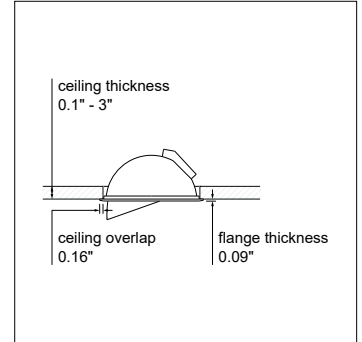
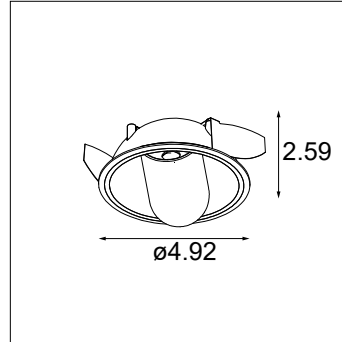
Qty.	Item
1	HOLLO-R-A-4.9-1X-27M-DP-DE-BLS-GOMT
1	IC-RD-DP-TE1-500-12
1	NCF-4.6

Hollow Recessed Adjustable 4.9

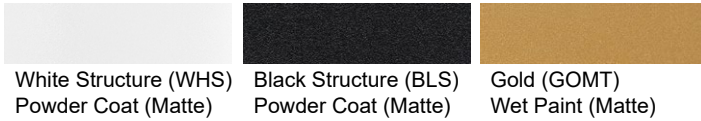
Lamp Specifications & Ordering Information

- Insulation Contact (IC) rated
- Adjustability: 360° x 90°
- Body Material: Cast Aluminum
- Tube Material: Aluminum
- Tube diameter: 2"
- Finish: Powder Coat or wet paint*
- Driver: Remote
- Cutout: Ø4-5/8"
- Fixtures can be installed on a ceiling or wall

* Wet Paint is only used for the gold finish



Finish Options



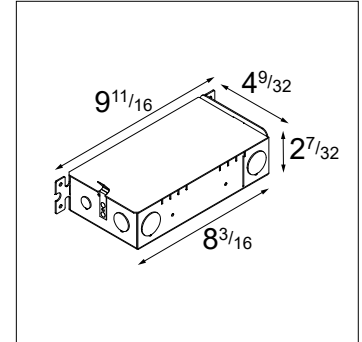
Ordering Information

HOLLO-R-A-4.9-1X		M		DP		DE			
27	2700K	M	Lens Medium (30°)	DP	Damp Location	DE	Driver Excluded	WHS-WHS	White struct tube, White struct body
30	3000K							BLS-GOMT	Black struct tube, Gold body
35	3500K							BLS-WHS	Black struct tube, White struct body
								BLS-BLS	Black struct tube, Black struct body
								GOMT-GOMT	Gold tube, Gold body

Hollow Recessed Adjustable 4.9

Remote Driver Specifications

- Remote Driver housing material: Sheet metal (galvanized steel)
- Remote driver housing can be bottom mounted, side mounted or mounted to t-bar grid.



Remote Driver Information & Ordering

SELECTION ↓	ORDERING CODE	DIMMING TYPE	LAMP MODULE COMPATIBILITY	OUTPUT CURRENT	INPUT VOLTAGE	TYPICAL DIMMING LEVEL**	UL LOCATION					FIXTURE QUANTITY (SERIAL CONNECTION)		
							RECESSED TYPE IC	RECESSED TYPE NON-IC	SURFACE	CABINET	UNDER CABINET	1X	2X	3X
	NON-IC-RD-DP-010P-350-8	0-10V, ELV & Triac	Fixed CCT (2700K, 3000K, 3500K)	350mA	120-277VAC, 120VAC*	1%	-	X	X	X	X	X	-	-
	NON-IC-RD-DP-010P-350-14	0-10V, ELV & Triac	Fixed CCT (2700K, 3000K, 3500K)	350mA	120-277VAC, 120VAC*	1%	-	X	X	X	X	-	X	-
	NON-IC-RD-DP-010P-500-21	0-10V, ELV & Triac	Fixed CCT (2700K, 3000K, 3500K)	500mA	120-277VAC, 120VAC*	1%	-	X	X	X	X	-	X	-
	IC-RD-DP-TE1-500-12	ELV & Triac	Fixed CCT (2700K, 3000K, 3500K)	500mA	120VAC	1%	X	-	X	X	X	X	-	-
	IC-RD-DP-TE1-500-20	ELV & Triac	Fixed CCT (2700K, 3000K, 3500K)	500mA	120VAC	1%	X	-	X	X	X	-	X	-
	IC-RD-DP-ECO-LU-350-7-17	Lutron Ecosystem	Fixed CCT (2700K, 3000K, 3500K)	350mA	120-277VAC	1%	X	-	X	X	X	-	X	-
	IC-RD-DP-0101-EL-350-30	0-10V	Fixed CCT (2700K, 3000K, 3500K)	350mA	120-277VAC	1%	X	-	X	X	X	X	X	X
	IC-RD-DP-0101-EL-500-30	0-10V	Fixed CCT (2700K, 3000K, 3500K)	500mA	120-277VAC	1%	X	-	X	X	X	X	X	-

* Dimming via ELV and Triac only compatible at 120VAC

** Consult the factory for dimmer compatibility

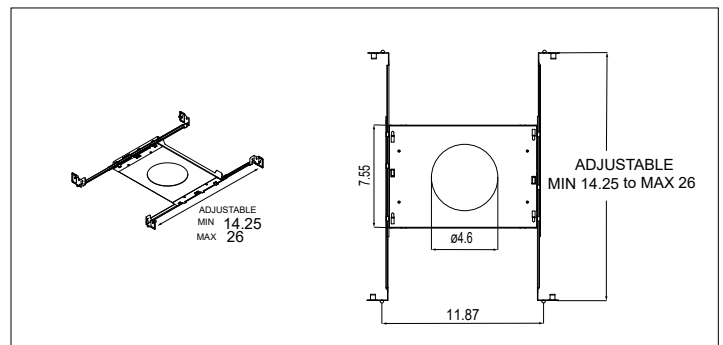
Accessories

New Construction Frame

- Optional
- With cutout hole for the Lamp Module
- Used to span joists or attach to t-bar

Ordering Information

ORDERING CODE	ITEM
NCF-4.6	New Construction Frame 4.6

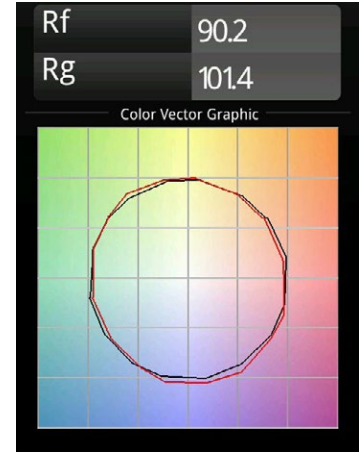
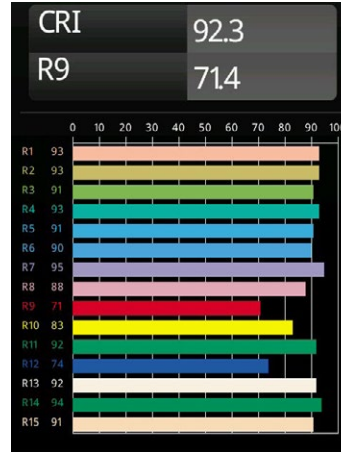


New Construction Frame 4.6

Hollow Recessed Adjustable 4.9

Performance Specifications (per luminaire)

Location	Damp	
CRI*	92, R9: 71	
Lifetime	L80 B20 @ 50,000 hrs	
UGR	see website	
Electrical (typical)**		
	350mA	500mA
Vf	16.4V	16.9V
Power**	5.7W	8.5W



* CRI & TM-30 Value for 3000K

** Power figures exclude remote driver

For photometric files see website or contact factory

Output Specifications

Reference: 3000K, 500mA

Values Below are typical

() indicates multipliers

Reference Delivered Lumens	CCT	Current
470	2700K (0.98)	350mA (0.74)
	3000K (1.0)	500mA (1.0)
	3500K (1.05)	

Example Calculation

To determine typical output for 2700K, 350mA

$470 \times 0.98 \times 0.74 = 341$ lumen

Listings and Certifications

- Damp location listed
- cUL & UL listed

Warranty

Visit <https://www.supermodular.com/warranty>