



**MODULAR**  
LIGHTING  
INSTRUMENTS  
— by MLI NA Corporation

Project
Type
Contact

## Smart Cake Box Surface 3.2

### Overview

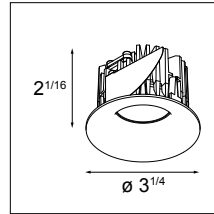


Smart Cake is part of the Smart family. This family's styling is based on our most popular iconic designs. Its gently sloping sides ensure a soft distribution of light.

With an outer diameter of 3.2" and an aperture of 3.2 inches (fixed version) or 2.3 inches (adjustable version), the Smart Cake 3.2 is compact yet powerful. Combined with a surface box that is offered in 1X and 2X and multiple finishes, the beautiful combinations are yours to discover.

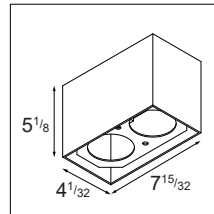
### How to Specify (Example)

#### 1. Select Lamp Module → Page 2



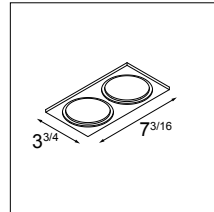
Example: **SMART-C-R-3.2-1X-30F-DP-DE-WHS**  
(Smart Cake Recessed 3.2 1x, 3000K, flood, damp rated, driver excluded, white structure)

#### 2. Select Box/Driver → Page 3



Example: **SMARX-S-3.2-2X-010P-DI-500-WHS**  
(Smart Box Surface 3.2, 2 lamp, 0-10V / ELV, driver included, 500mA, white structure)

#### 3. Select Mask → Page 4



Example: **SMART-M-3.2-2X-WHS**  
(Smart Mask 3.2, 2 lamp, white)

#### Example Order:

Qty.	Item
2	SMART-C-R-3.2-1X-30F-DP-DE-WHS
1	SMARX-S-3.2-2X-010P-DI-500-WHS
1	SMART-M-3.2-2X-WHS

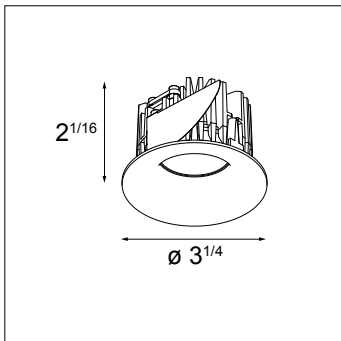
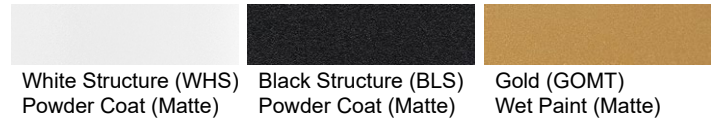


### Lamp Specifications & Ordering Information

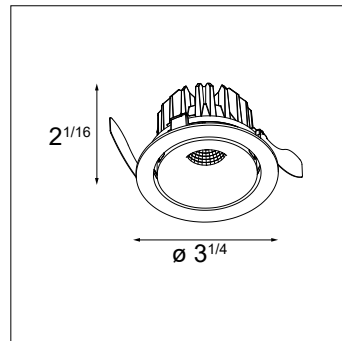
- Aperture: 3.2" (fixed version) / 2.3" (adjustable version)
- Adjustability: 0-25° (adjustable version only)
- Trim Material: Cast Aluminum
- Trim Finish: Powder Coat or Wet Paint\*
- Must be combined with box & mask

\* Wet Paint is only used for the gold finish

### Lamp Module Finish Options



Smart Cake Recessed 3.2



Smart Cake Recessed Adjustable 3.2

### Ordering Information

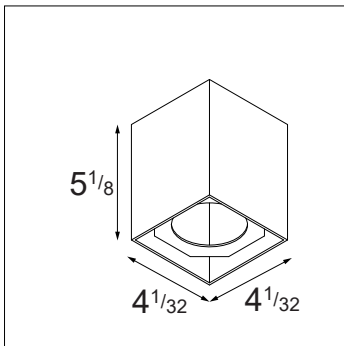
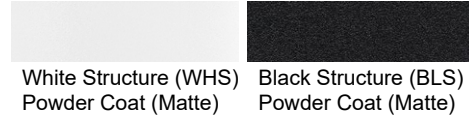
SMART-C-R-3.2-1X				DP		DE	
Smart Cake Recessed 3.2 1x	<b>[blank]</b> No Glass <sup>(1)</sup>	<b>27</b> 2700K	<b>S</b> Spot 17° <sup>(1)</sup>	<b>DP</b> Damp Location	<b>DE</b> Driver Excluded	<b>WHS</b> White Structure	
	<b>MPG</b> Microprismatic Glass <sup>(2)</sup>	<b>30</b> 3000K	<b>M</b> Medium 22° <sup>(1)/(2)</sup>			<b>BLS</b> Black Structure	
	<b>FRG</b> Frosted Glass <sup>(3)</sup>	<b>35</b> 3500K	<b>F</b> Flood 40° <sup>(1)/38°<sup>(2)</sup>(3)</sup>			<b>GOMT</b> Gold Matt	

SMART-C-R-A-3.2-1X				DP		DE	
Smart Cake Recessed Adjustable 3.2 1x	<b>27</b> 2700K	<b>M</b> Medium 22°	<b>DP</b> Damp Location	<b>DE</b> Driver Excluded	<b>WHS</b> White Structure		
	<b>30</b> 3000K	<b>F</b> Flood 40°			<b>BLS</b> Black Structure		
	<b>35</b> 3500K				<b>GOMT</b> Gold Matt		

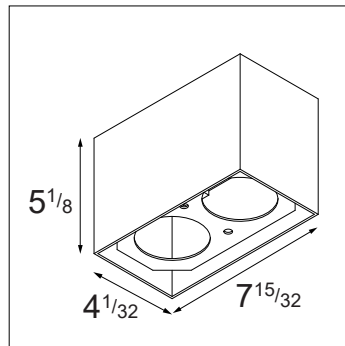
### Box & Driver Specifications

- Box Material: Extruded Aluminum
- Driver: Included in box
- Box completely covers 4x4 octagonal junction boxes (no covers needed)
- Weight: 1.7lbs (1X version) / 2.4lbs (2X version)

### Box Finish Options



Smart Box Surface 3.2 1X



Smart Box Surface 3.2 2X

### Driver Specifications

DRIVER	OUTPUT CURRENT	INPUT VOLTAGE	DIMMING TYPE	TYPICAL DIMMING LEVEL**	CONNECTED LOAD (TYPICAL)	
					1X	2X
010P-500	500mA	120-277VAC, 120VAC*	0-10V, ELV & Triac	1%	10.5 W	21.5 W

\* Dimming via ELV and Triac only compatible at 120VAC

\*\* Consult the factory for dimmer compatibility

### Box Ordering Information

- **010P** - **DI** - **500** -

**SMARX-S-3.2-1X** Smart Box Surface 3.2, 1 lamp

**SMARX-S-3.2-2X** Smart Box Surface 3.2, 2 lamp

**010P** 0-10V/ELV/Triac

**DI** Driver Included

**500** 500mA

**WHS** White Structure

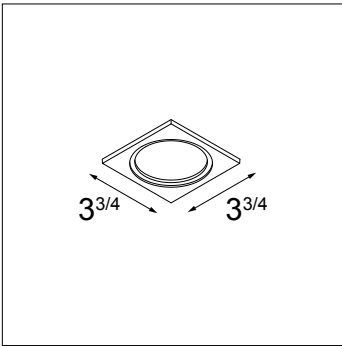
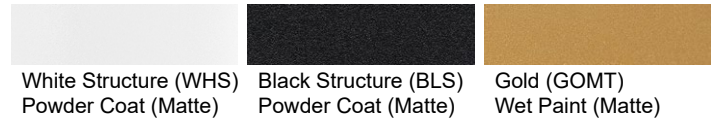
**BLS** Black Structure

### Mask Specifications

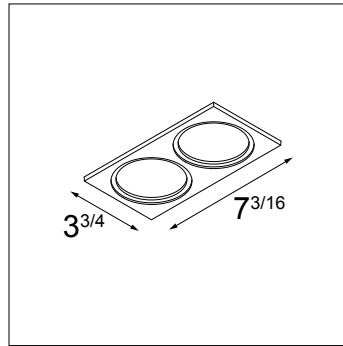
- Mask Material: Cast Aluminum
- Mask Finish: Powder Coat or Wet Paint\*
- Mask Thickness: 0.2"
- Weight: 0.2lbs (1X version) / 0.3lbs (2X version)

\* Wet Paint is only used for the gold finish

### Mask Finish Options



Single Mask



Double Mask

### Mask Ordering Information

**SMART-M-3.2** -

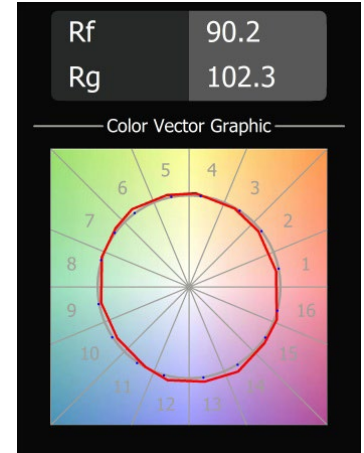
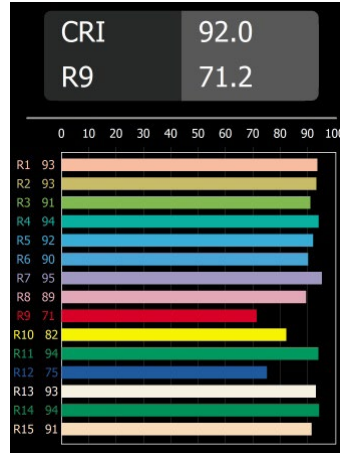
**1X** Single  
Luminaire  
**2X** Double  
Luminaire

**WHS** White Structure  
**BLS** Black Structure  
**GOMT** Gold

### Performance Specifications (per lamp)

	Fixed	Adjustable
Weight	0.5lbs	0.6lbs
Adjustability	-	0-25°
Location	Damp	
CRI*	92, R9: 71	
Lifetime	L80 B20 @ 50,000 hrs	
UGR	see website	
Electrical (typical)	500mA	
Vf	14.4V	
Power	7.2W	

For photometric files see website or contact factory



\*CRI & TM-30 Value for 3000K

### Output Specifications

Reference: 3000K, 40deg (FL), 500mA, White  
Values below are typical  
( ) indicates multipliers

#### Fixed Lamp

Reference Delivered Lumens	CCT	Optics	Current	Finish
784	2700K (0.96) 3000K (1.0) 3500K (1.04)	S (1.03) M (1.02) F (1.0) MPG M (0.95) MPG F (0.89) FRG F (0.81)	500mA (1.0)	WHS (1.0) GOMT (0.93) BLS (0.86)

#### Adjustable Lamp

Reference Delivered Lumens	CCT	Optics	Current	Finish
601	2700K (0.95) 3000K (1.0) 3500K (1.03)	F (1.0) M (0.96)	500mA (1.0)	WHS (1.0) GOMT (0.93) BLS (0.82)

#### Example Calculation

To determine typical output for 2700K, Medium optic, 500mA in Gold:  
 $601 \times 0.95 \times 0.96 \times 1.0 \times 0.93 = 510$  lumen

### Listings and Certifications

- Damp location listed
- cUL & UL listed

### Warranty

Visit <https://www.supermodular.com/warranty>