



MODULAR
LIGHTING
INSTRUMENTS
— by MLI NA Corporation

Project

Type

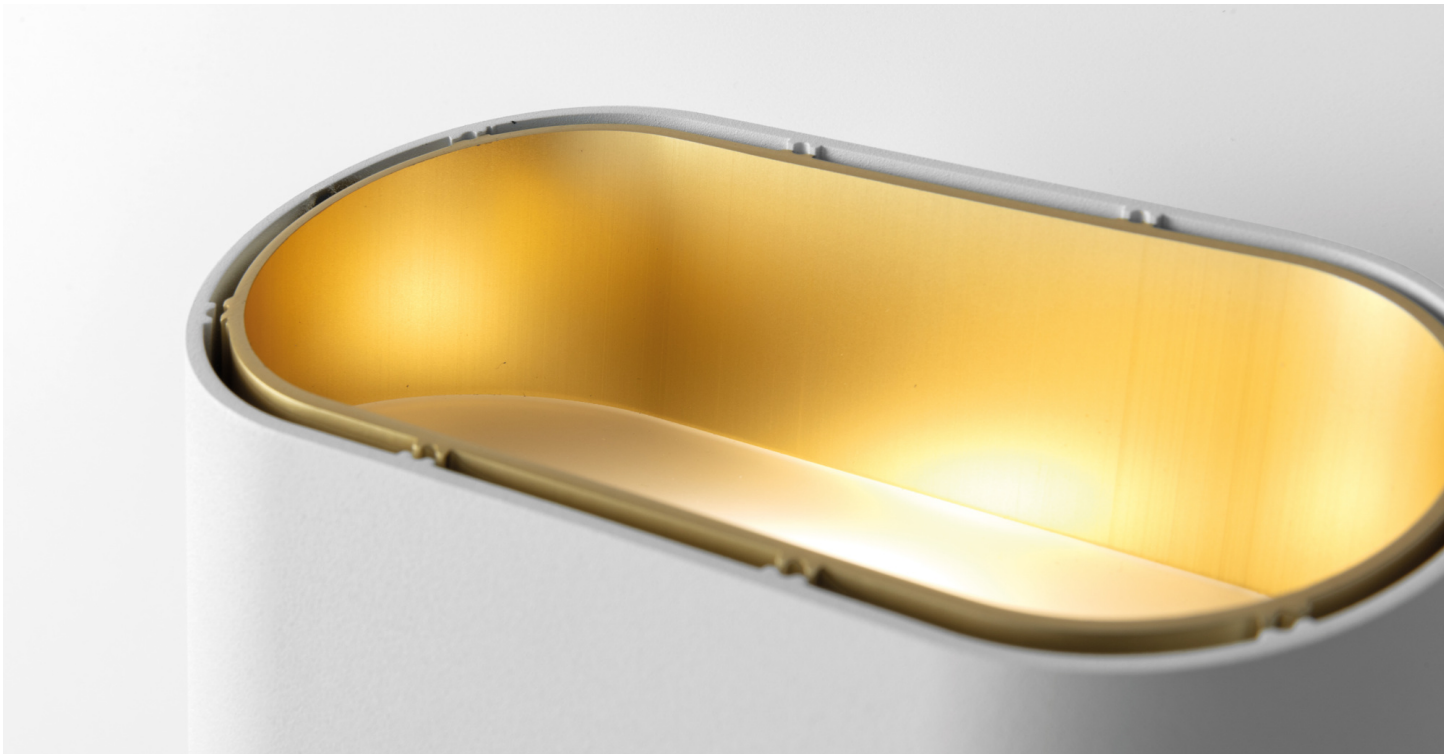
Contact

Trapz Wall

Overview

Geometry with an edge

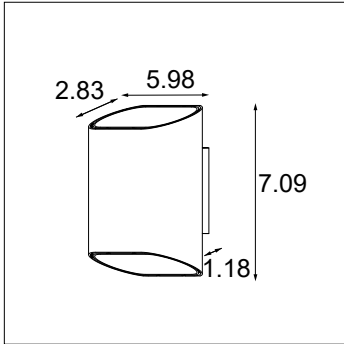
With their indirect lighting and subtle shadow effects, wall fixtures are undoubtedly atmosphere creators. Trapz, our organic interpretation inspired by a trapezium, is no different. The flattened cylinder has been finished with two oblique openings, which allow you to see the contrasting interior of the luminaire and immediately create an unusual chiaroscuro effect. A new, optional diffuser hiding the light source softens and levels the light, and gives the light beam a more uniform glow.



Lamp Specifications & Ordering Information

- Body Material: Extruded Aluminum
- Outer shell finish: Powder Coat or anodized
- Inner shell finish: anodized
- Driver: Included in Body
- Included: Plaster finish plate for 4x4 octagonal junction box

Finish Information



Ordering Information

TRAPZ-W-UD-2X		DP	010P	DI	
Trapz Wall Up/Down 2x	27 2700K 30 3000K 35 3500K	DP Damp Location	010P 0-10V, ELV & Triac	DI Driver Included	BLBA-ALA Anodized Black Ext. / Aluminum Int. BLBA-BLMT Anodized Black Ext. / Black Int. BLBA-CHA Anodized Black Ext. / Champagne Int. BRBA-ALA Anodized Bronze Ext. / Aluminum Int. BRBA-BLMT Anodized Bronze Ext. / Black Int. BRBA-CHA Anodized Bronze Ext. / Champagne Int. CHBA-BLMT Anodized Champagne Ext. / Black Int. CHBA-CHA Anodized Champagne Ext. / Champagne Int. SBBA-BLMT Anodized Silver Bronze Ext. / Black Int. SBBA-CHA Anodized Silver Bronze Ext. / Champagne Int. BLS-GOA Black Structure Ext. / Gold Int WHS-CHA White Structure Ext. / Champagne Int

Driver Specifications

DRIVER	INPUT VOLTAGE	DIMMING TYPE	TYPICAL DIMMING LEVEL**	CONNECTED LOAD (TYPICAL)
0-10V-TD	120-277VAC, 120VAC*	0-10V, ELV & Triac	1%	14.5 W

* Dimming via ELV and Triac only compatible at 120VAC

** Consult the factory for dimmer compatibility

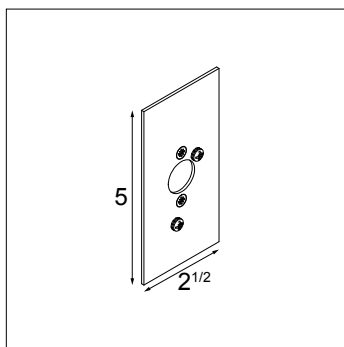
Optional Accessories Specifications

- Accessories are optional (plaster plate comes standard*)
- Backplate / Cover Plate provides a cUL listed option for covering a 4x4 octagonal or 3x2 electrical box
- Cover Plate Material: Steel
- Mask Finish: Powder Coat
- Plate Thickness: 0.08"
- Weight: 0.5lbs (3x2 version)
0.7lbs (4x4 version)

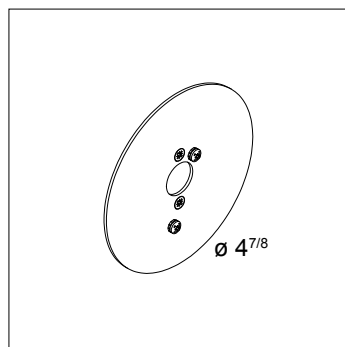
Plate Finish Options



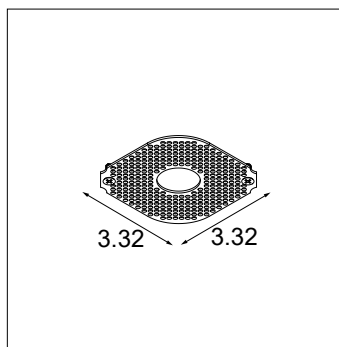
* An additional plaster plate can be ordered to be delivered in advance



Cover Plate 3x2



Cover Plate 4x4



Plaster Finish Plate for 4x4 octagonal junction box

Accessory Ordering Information

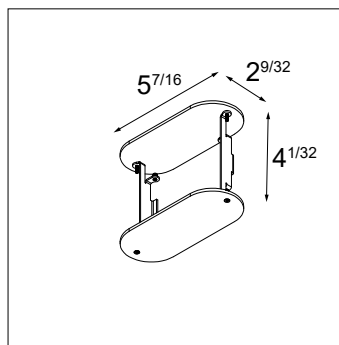
BP-C	-		-	DUELL-TRAPZ	-
Backplate Cover	44	4"x4" Junction Box			WHS White Structure
	32	3"x2" Junction Box			BLS Black Structure
PP	-	44	-	DUELL-TRAPZ	
Plaster Finish Plate for 4x4 octagonal junction box					

Optional Optics Specifications

- Lens can be added before or after installation
- Lens kit reduces light output by approximately 14%
- Ships as a set (top and bottom)
- Lens material: Acrylic
- Weight: 0.2lbs

Optical Accessory Ordering Information

O	-	FL	-	TRAPZ
O Optical		FL Frosted Lens		



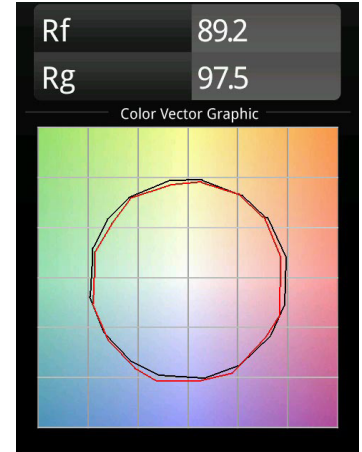
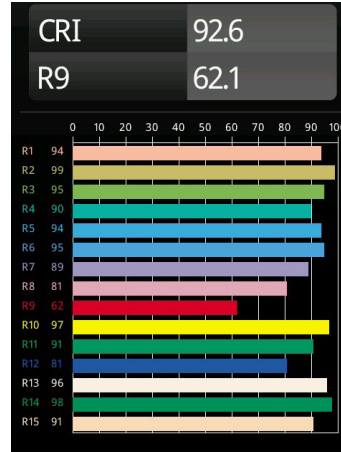
Diffuser Lens Set



Performance Specifications (per lamp module)

Weight	2.9lbs
Location	Damp
CRI*	92, R9: 62
Lifetime	L80 B20 @ 50.000 hrs
UGR	see website

For photometric files see website or contact factory



*CRI & TM-30 Value for 3000K

Output Specifications

Reference: 3000K, White – Champagne
Delivered Lumens is total (50% up + 50% down)
() indicates multipliers

Reference Delivered Lumens	CCT	Finish
943lm	2700K (0.96)	BLBA-ALA (0.7)
	3000K (1.0)	BLBA-BLMT (0.7)
		BLBA-CHA (1.0)
	3500K (1.04)	BRBA-ALA (1.0)
		BRBA-BLMT (1.05)
		BRBA-CHA (0.7)
		CHBA-BLMT (0.7)
		CHBA-CHA (1.0)
		SBBA-BLMT (1.0)
		SBBA-CHA (1.05)
	BLS-GOA (0.93)	
	WHS-CHA (1.0)	

Example Calculation

To determine typical output for 2700K, Medium, Black - Gold:

$$943 \times 0.96 \times 0.93 = 842 \text{ lumen}$$

Listings and Certifications

- Damp location listed
- cUL & UL listed
- ADA Compliant

Warranty

Visit <https://www.supermodular.com/warranty>