

Placebo Suspended 2.4 1x DE

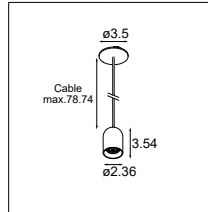
Overview



Placebo Suspended is a paradigm of playful choices of up and down light. Different shapes, sizes and shades designed for you, with all kinds of color combinations. Turn your creative vision into lovely rhythms of pure forms and light with Placebo Suspended.

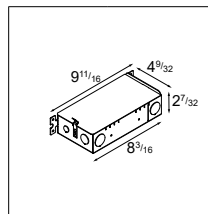
How to Specify (example)

1. Select Luminaire / Body → Page 2



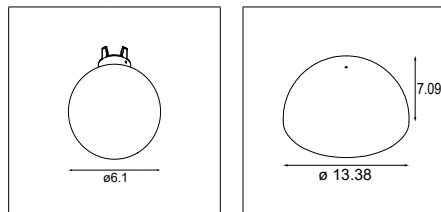
Example: **PLACE-SP-D-2.4-1X-30-DP-DE-CHBA**
Placebo Suspended Down 2.4 1x, 3000K, damp rated, driver external, champagne

2. Select Remote Driver → Page 3



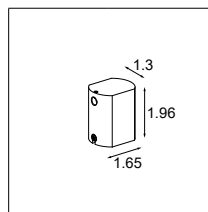
Example: **IC-RD-DP-0101-EL-350-10**
Remote Driver, IC rated, damp rated, 0-10V, 350mA, 10W

3. Select Glass & Decorative Accessory → Page 4 - 5



Example: **PLACEBO-GLB-DO-6.1 & PLACEBO-BEANIE-CH**
Placebo Glass Ball Down, Ø6.1" & Placebo Beanie, champagne

4. Select Mounting Accessory (required) → Page 6



Example: **CB-PLACE-EXTRS-DE**
Connection Box

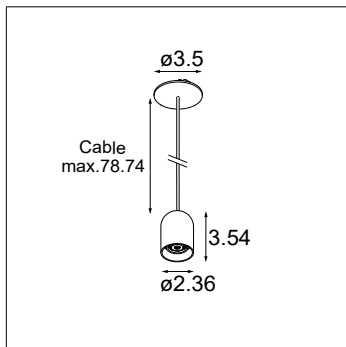
Example order:

Quantity	Item
1	PLACE-SP-D-2.4-1X-30-DP-DE-CHBA
1	IC-RD-DP-0101-EL-350-10
1	PLACEBO-GLB-DO-6.1
1	PLACEBO-BEANIE-CH
1	CB-PLACE-EXTRS-DE

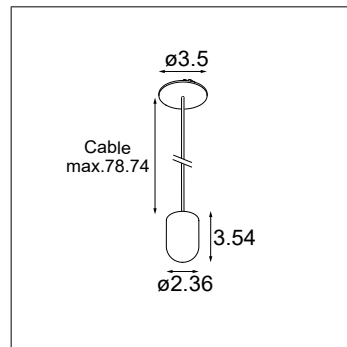
Placebo Suspended 2.4 1x DE

Luminaire Specifications

- Body material: aluminum
- Body finish: powder coat or anodisation
- Canopy finish: black powder coat, unless white is selected (then it is white powder coat)
- Cable diameter: 0.18"
- Cable color: black
- Cable length: 78.7" (can be field adjusted)
- Driver: not included in the body
- Must be combined with remote driver (specify on page 3)
- Must be combined with glass and can optionally be combined with decorative accessory (specify on page 4 - 5)
- Must be combined with mounting accessory (specify on page 6)



Placebo Suspended Down 2.4 1x DE

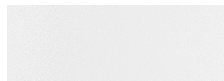


Placebo Suspended Up 2.4 1x DE

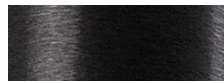
Finish Information



Black Structure (BLS)
Powder Coat (Matte)



White Structure (WHS)
Powder Coat (Matte)



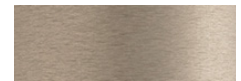
Black (BLBA)
Anodised (Brushed)



Bronze (BRBA)
Anodised (Brushed)



Champagne (CHBA)
Anodised (Brushed)



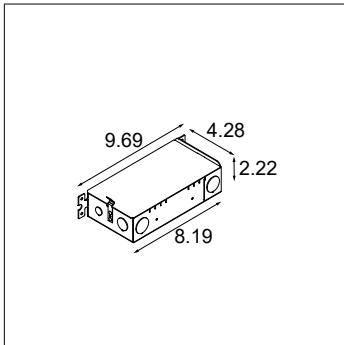
Silver Bronze (SBBA)
Anodised (Brushed)

Ordering Information

				DP	DE		
PLACE-SP-D-2.4-1X	Placebo Suspended Down 2.4 1x	27	2700K	DP	Damp Location	DE	Driver External
PLACE-SP-U-2.4-1X	Placebo Suspended Up 2.4 1x	30	3000K			BLS	Black Structure
		35	3500K			WHS	White Structure
		WD	Warm Dim 3000K - 1800K			BLBA	Black Brushed
						BRBA	Bronze Brushed
						CHBA	Champagne Brushed
						SBBA	Silver Bronze Brushed

Remote Driver Specifications

- Material: sheet metal (galvanized steel)
- Class 2 constant current power supply
- Multiple luminaires can be connected in series to a single driver
- Box can be bottom, side or t-bar mounted
- 4 knockout holes for line voltage conduit or cable connection
- 4 knockout holes for low-voltage conduit or cable connection
- May be placed up to 50ft away using 16AWG wire
- Suitable for damp locations



Remote Driver "A"

Electrical Specifications & Ordering Information

Ordering Code	Version	Input	Output	Dim ⁽²⁾	Driver Location					Luminaires ⁽³⁾	
					Recessed IC	Recessed Non-IC	Surface	Cabinet	Under Cabinet	Fixed CCT	Warm Dim
IC-RD-DP-D-ELDO-1-350-10	Remote Driver "A"	120-277VAC	350mA DC	DALI-2 - 1%	☺	☹	☺	☺	☺	1	1
IC-RD-DP-D-ELDO-1-350-20	Remote Driver "A"	120-277VAC	350mA DC	DALI-2 - 1%	☺	☹	☺	☺	☺	1 - 3	1 - 2
IC-RD-DP-D-ELDO-1-350-30	Remote Driver "A"	120-277VAC	350mA DC	DALI-2 - 1%	☺	☹	☺	☺	☺	1 - 3	1 - 2
IC-RD-DP-0101-EL-350-10	Remote Driver "A"	120-277VAC	350mA DC	0-10V - 1%	☺	☹	☺	☺	☺	1	1
IC-RD-DP-0101-EL-350-20	Remote Driver "A"	120-277VAC	350mA DC	0-10V - 1%	☺	☹	☺	☺	☺	1 - 3	1 - 2
IC-RD-DP-0101-EL-350-30	Remote Driver "A"	120-277VAC	350mA DC	0-10V - 1%	☺	☹	☺	☺	☺	1 - 3	1 - 2
NON-IC-RD-DP-010P-350-8	Remote Driver "A"	120-277VAC ⁽¹⁾	350mA DC	0-10V, ELV & Triac - 1%	☹	☺	☺	☺	☺	1	1
NON-IC-RD-DP-010P-350-14	Remote Driver "A"	120-277VAC ⁽¹⁾	350mA DC	0-10V, ELV & Triac - 1%	☹	☺	☺	☺	☺	2	

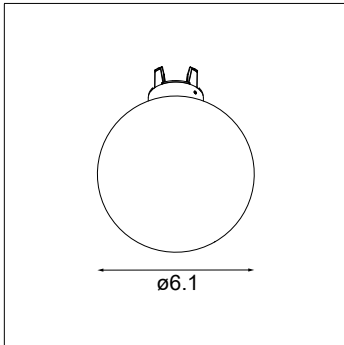
⁽¹⁾ Dimming via ELV & Triac only compatible at 120VAC input

⁽²⁾ Consult the factory for dimmer compatibility

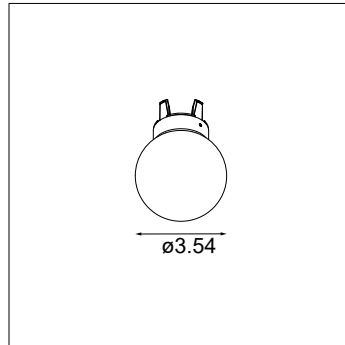
⁽³⁾ Minimum & maximum amount of compatible luminaires, multiple luminaires must be connected in series to a single driver

Glass Specifications

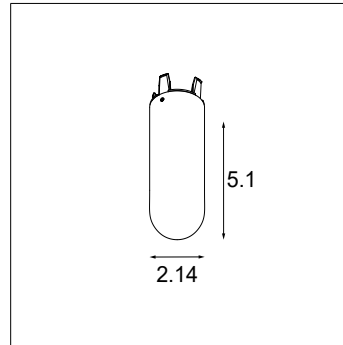
- Glass is required for installation
- Glass components attach mechanically with a twist to lock onto the luminaire
- Glass material: 3-layered hand blown glass (opal)
- For "up" luminaires: power feed cable is not visible through the glass



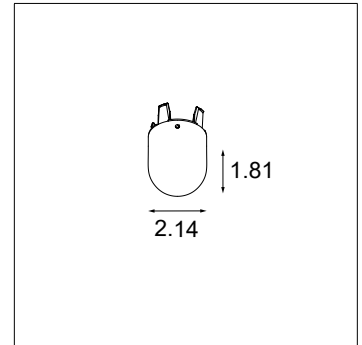
Placebo Glass Ball Down Ø6.1"



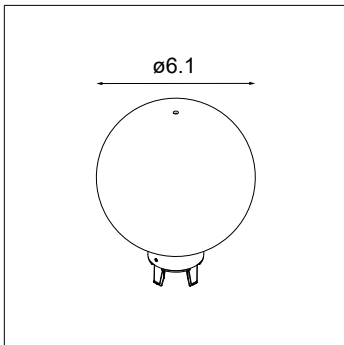
Placebo Glass Ball Down Ø3.5"



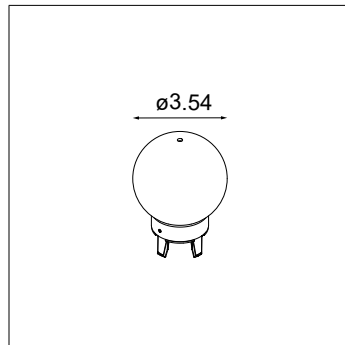
Placebo Glass Tube Down 5.1"



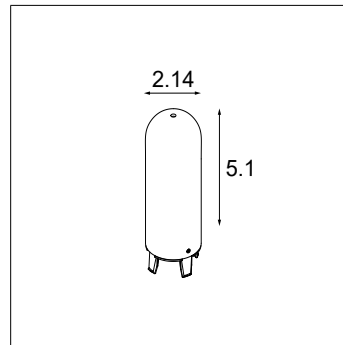
Placebo Glass Tube Down 1.8"



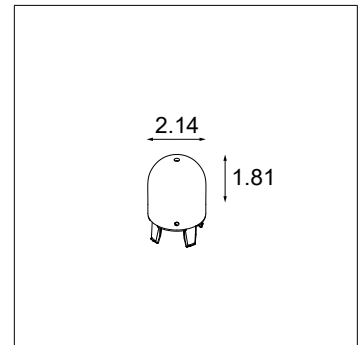
Placebo Glass Ball Up Ø6.1"



Placebo Glass Ball Up Ø3.5"



Placebo Glass Tube Up 5.1"



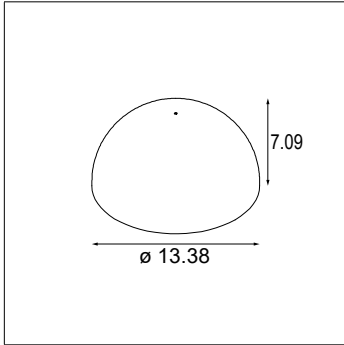
Placebo Glass Tube Up 1.8"

Ordering Information

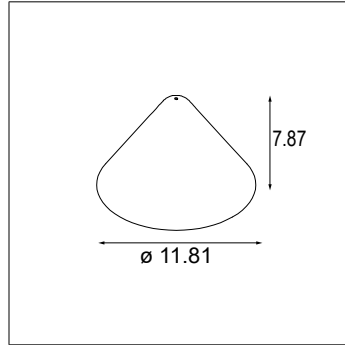
Ordering Code	For Luminaire	Version	Weight
PLACEBO-GLB-DO-6.1	Down (Fixed CCT / Warm Dim)	Glass Ball Ø6.1"	1.07lbs
PLACEBO-GLB-DO-3.5	Down (Fixed CCT / Warm Dim)	Glass Ball Ø3.5"	0.39lbs
PLACEBO-GLT-DO-5.1	Down (Fixed CCT / Warm Dim)	Glass Tube 5.1"	0.37lbs
PLACEBO-GLT-DO-1.8	Down (Fixed CCT / Warm Dim)	Glass Tube 1.8"	0.14lbs
PLACEBO-GLB-UP-6.1	Up (Fixed CCT / Warm Dim)	Glass Ball Ø6.1"	1.07lbs
PLACEBO-GLB-UP-3.5	Up (Fixed CCT / Warm Dim)	Glass Ball Ø3.5"	0.39lbs
PLACEBO-GLT-UP-5.1	Up (Fixed CCT / Warm Dim)	Glass Tube 5.1"	0.37lbs
PLACEBO-GLT-UP-1.8	Up (Fixed CCT / Warm Dim)	Glass Tube 1.8"	0.14lbs

Decorative Accessories Specifications

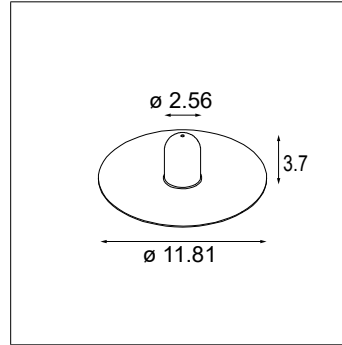
- Optional, maximum 1 per luminaire
- Material: aluminum
- Exterior finish: wet paint
- Interior finish: wet paint, always matte grey white (except for Sombrero, which only has an exterior finish)
- Sombrero is only compatible with “down” luminaires



Placebo Beanie



Placebo Douli



Placebo Sombrero

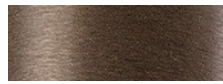
Finish Information



Black (BLMT)
Wet Paint (Matte)



Grey White (GWMT)
Wet Paint (Matte)



Bronze (BR)
Wet Paint (Brushed)



Champagne (CH)
Wet Paint (Brushed)

Ordering Information

Ordering Code	Version	Exterior Finish	Weight
PLACEBO-BEANIE-BLMT	Beanie	Black	1.98lbs
PLACEBO-BEANIE-GWMT	Beanie	Grey White	1.98lbs
PLACEBO-BEANIE-BR	Beanie	Bronze	1.98lbs
PLACEBO-BEANIE-CH	Beanie	Champagne	1.98lbs
PLACEBO-DOULI-BLMT	Douli	Black	1.10lbs
PLACEBO-DOULI-GWMT	Douli	Grey White	1.10lbs
PLACEBO-DOULI-BR	Douli	Bronze	1.10lbs
PLACEBO-DOULI-CH	Douli	Champagne	1.10lbs
PLACEBO-SOMBRERO-BLMT	Sombrero	Black	0.92lbs
PLACEBO-SOMBRERO-GWMT	Sombrero	Grey White	0.92lbs
PLACEBO-SOMBRERO-BR	Sombrero	Bronze	0.92lbs
PLACEBO-SOMBRERO-CH	Sombrero	Champagne	0.92lbs

Mounting Accessories Specifications

Backplate

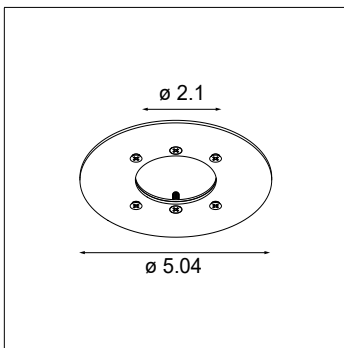
- For installation with a 4"x4" octagonal junction box
- Backplate covers the junction box
- Material: stainless steel
- Finish: powder coat
- Thickness: 0.08"
- Weight: 0.6lbs

Plaster Plate

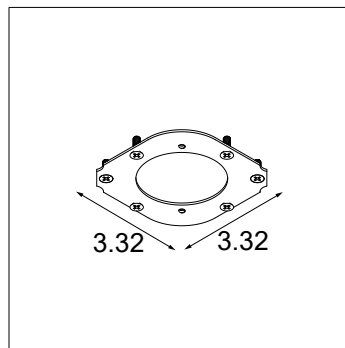
- For installation with a 4"x4" octagonal junction box
- Plaster finish
- Material: stainless steel
- Thickness: 0.06"
- Weight: 0.2lbs

Connection Box

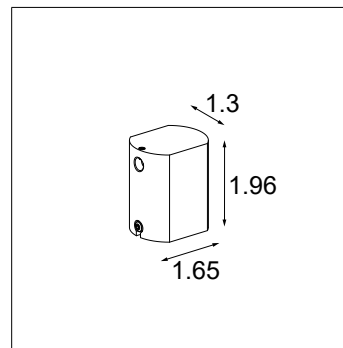
- For installation without junction box
- Ceiling cutout: Ø2 1/8"
- Connection Box material: aluminum
- Weight: 0.1lbs



Backplate



Plasterplate

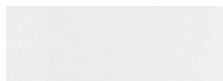


Connection Box

Finish Information



Black Structure (BLS)
Powder Coat (Matte)



White Structure (WHS)
Powder Coat (Matte)

Ordering Information

Ordering Code	Version	Finish
BP-C-44-PLACE-EXTRS-DE-BLS	Backplate for 4"x4" octagonal junction box	Black Structure
BP-C-44-PLACE-EXTRS-DE-WHS	Backplate for 4"x4" octagonal junction box	White Structure
PP-44-PLACE-EXTRS-DE	Plasterplate for 4"x4" octagonal junction box	n/a
CB-PLACE-EXTRS-DE	Connection Box	n/a

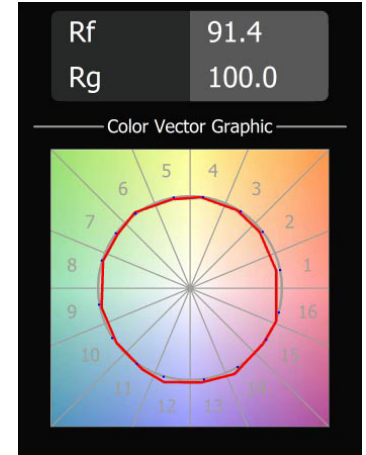
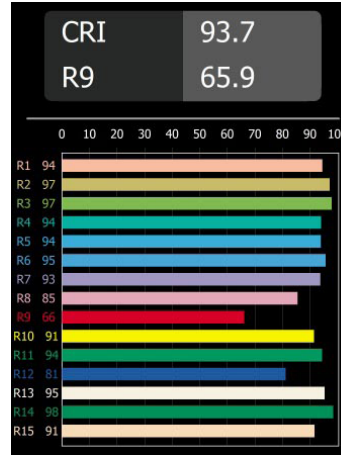
Placebo Suspended 2.4 1x DE

Performance Specifications (per luminaire)

Luminaire	Fixed CCT	Warm Dim
Weight	0.7lbs	0.7lbs
Location	damp	damp
CRI*	93, R9: 65	94, R9: 69
Lifetime	L80 B20 @ 50,000 hrs	L80 B20 @ 50,000 hrs
UGR	see website	see website
Electrical (typical)		
Fixed CCT	Warm Dim	
Drive Current (mA DC)	350	350
Forward Voltage (V)	18	21.2
LED Power (W)**	6.3	7.4

* CRI & TM-30 Value for 3000K

** Power figures exclude remote driver



For photometric files see website or contact factory.

Output Specifications (per luminaire)

Down			
Lumens	CCT	Glass & Decorative Accessory	
626	2700K (0.97)	GLASS BALL 6.1	(1.00)
	3000K (1.00)	GLASS BALL 6.1 + BEANIE	(0.76)
	3500K (1.06)	GLASS BALL 6.1 + DOULI	(0.75)
	WD (0.61)	GLASS BALL 6.1 + SOMBRERO BLMT	(0.83)
		GLASS BALL 6.1 + SOMBRERO GWMT	(0.96)
		GLASS BALL 3.5	(0.85)
		GLASS BALL 3.5 + BEANIE	(0.70)
		GLASS BALL 3.5 + DOULI	(0.72)
		GLASS BALL 3.5 + SOMBRERO BLMT	(0.72)
		GLASS BALL 3.5 + SOMBRERO GWMT	(0.90)
		GLASS TUBE 5.1	(0.88)
		GLASS TUBE 5.1 + BEANIE	(0.57)
		GLASS TUBE 5.1 + DOULI	(0.62)
		GLASS TUBE 5.1 + SOMBRERO BLMT	(0.67)
		GLASS TUBE 5.1 + SOMBRERO GWMT	(0.85)
		GLASS TUBE 1.8	(0.72)
	GLASS TUBE 1.8 + BEANIE	(0.52)	
	GLASS TUBE 1.8 + DOULI	(0.50)	
	GLASS TUBE 1.8 + SOMBRERO BLMT	(0.54)	
	GLASS TUBE 1.8 + SOMBRERO GWMT	(0.58)	

Up			
Lumens	CCT	Glass & Decorative Accessory	
626	2700K (0.97)	GLASS BALL 6.1	(1.00)
	3000K (1.00)	GLASS BALL 6.1 + BEANIE	(0.48)
	3500K (1.06)	GLASS BALL 6.1 + DOULI	(0.42)
	WD (0.61)	GLASS BALL 3.5	(0.85)
		GLASS BALL 3.5 + BEANIE	(0.46)
		GLASS BALL 3.5 + DOULI	(0.31)
		GLASS TUBE 5.1	(0.88)
		GLASS TUBE 5.1 + BEANIE	(0.44)
		GLASS TUBE 5.1 + DOULI	(0.39)
		GLASS TUBE 1.8	(0.72)
		GLASS TUBE 1.8 + BEANIE	(0.32)
		GLASS TUBE 1.8 + DOULI	(0.16)

Values are typical delivered lumens, multipliers are indicated between brackets: ()

Example calculation, to determine typical output for Down, 2700K, Glass ball 3.5 & Beanie: 626 x (0.97) x (0.70) = 425 lumens

Listings and Certifications

- Listed: cULus
- Damp locations



Warranty

- Visit <https://www.supermodular.com/en-us/warranty/>