



Smart Lotis Tube Wall 3.2

Overview

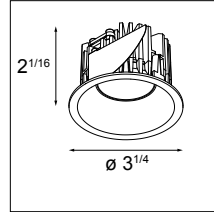


Smart Lotis is the best known fixture within the Smart family. The deeply recessed cone which holds the light source inspired the designers to create a very versatile spot to be combined with multiple accessories.

With an outer diameter of 3.2" and an aperture of 2.7 inches (fixed version) or 2 inches (adjustable version), the Smart Lotis 3.2 is compact yet powerful. Combined with a wall tube (cylinder) that is offered in 1X and 2X, and multiple finishes, the beautiful combinations are yours to discover.

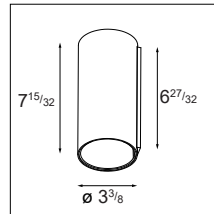
How to Specify (Example)

1. Select Lamp Module → Page 2



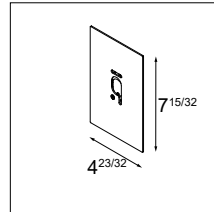
Example: **SMART-L-R-3.2-1X-30F-DP-DE-WHS**
(Smart Lotis Recessed 3.2 1X, 3000K, flood, damp rated, driver excluded, white structure)

2. Select Tube Body & Driver → Page 3



Example: **SMARU-W-UD-3.2-XL-2X-DP-010P-DI-500-WHS**
(Smart Tube Wall Up/Down 3.2 X-Large, 2 lamp, damp rated, 0-10V/ELV, driver included, 500mA, white structure)

3. Select Optional Accessories → Page 4



Example: **BP-C-44-SMART-TW-3.2-XL-WHS**
(Backplate cover, 4x4 jbox, Smart Surface Tube 3.2, X-Large, white structure)

Example Order:

Qty.	Item
2	SMART-L-R-3.2-1X-30F-DP-DE-WHS
1	SMARU-W-UD-3.2-XL-2X-DP-010P-DI-500-WHS
1	BP-C-44-SMART-TW-3.2-XL-WHS

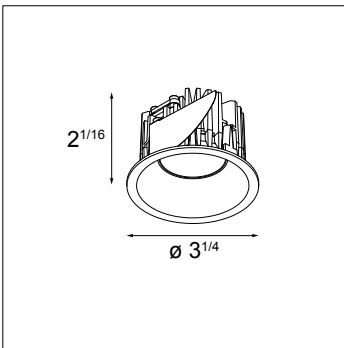
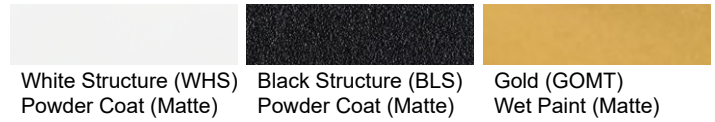


Lamp Specifications & Ordering Information

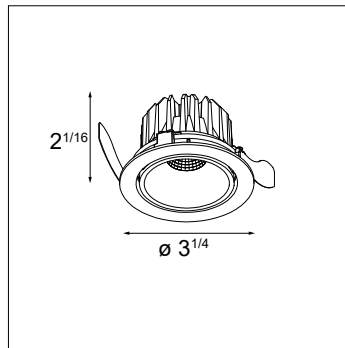
- Aperture: 2.7" (fixed version) / 2" (adjustable version)
- Adjustability: 0-25° (adjustable version only)
- Trim Material: Cast Aluminum
- Trim Finish: Powder Coat or Wet Paint*
- Must be combined with tube

* Wet Paint is only used for the gold finish

Lamp Module Finish Options



Smart Lotis Recessed 3.2



Smart Lotis Recessed Adjustable 3.2

Ordering Information

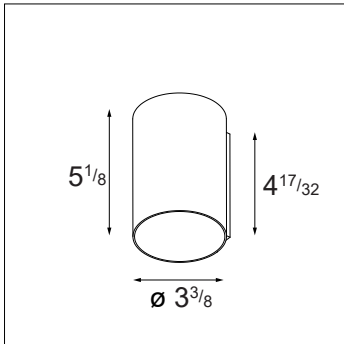
SMART-L-R-3.2-1X				DP		DE	
Smart Lotis Recessed 3.2 1x	[blank] No Glass ⁽¹⁾	27 2700K	S Spot 17° ⁽¹⁾	DP Damp Location	DE Driver Excluded	WHS White Structure	
	MPG Microprismatic Glass ⁽²⁾	30 3000K	M Medium 22° ^{(1)/(2)}			BLS Black Structure	
	FRG Frosted Glass ⁽³⁾	35 3500K	F Flood 40° ^{(1)/38°⁽²⁾(3)}			GOMT Gold Matt	

SMART-L-R-A-3.2-1X				DP		DE	
Smart Lotis Recessed Adjustable 3.2 1x	27 2700K	M Medium 22°	DP Damp Location	DE Driver Excluded	WHS White Structure		
	30 3000K	F Flood 40°			BLS Black Structure		
	35 3500K				GOMT Gold Matt		

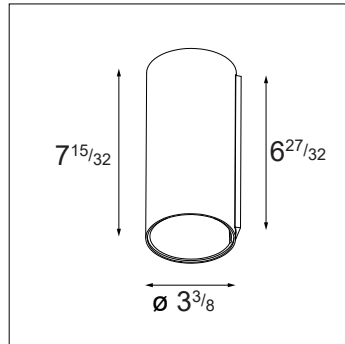
Tube & Driver Specifications

- Tube Material: Cast Aluminum
- Driver: Included in tube
- Included with tube: Plaster finish plate for 4x4 octagonal junction box
- Weight: 1.8lbs (Large version) / 2.7lbs (X-Large version)

Tube Finish Options



Smart Tube Wall 3.2 Large, 1X



Smart Tube Wall 3.2 X-Large, 1X & 2X

Driver Specifications

DRIVER	OUTPUT CURRENT	INPUT VOLTAGE	DIMMING TYPE	TYPICAL DIMMING LEVEL**	CONNECTED LOAD (TYPICAL)	
					1X	2X
010P-500	500mA	120-277VAC, 120VAC*	0-10V, ELV & Triac	1%	10.5 W	21.5 W

* Dimming via ELV and Triac only compatible at 120VAC

** Consult the factory for dimmer compatibility

Ordering Information

- **DP** - **010P** - **DI** - **500** -

SMARU-W-3.2-L-1X	Smart Tube Wall 3.2 Large, 1 lamp	DP Damp Rated	010P 0-10V/ELV/Triac	DI Driver Included	500 500mA	WHS White Structure
SMARU-W-3.2-XL-1X	Smart Tube Wall 3.2 X-Large, 1 lamp					BLS Black Structure
SMARU-W-UD-3.2-XL-2X	Smart Tube Wall Up/Down 3.2 X-Large, 2 lamp					

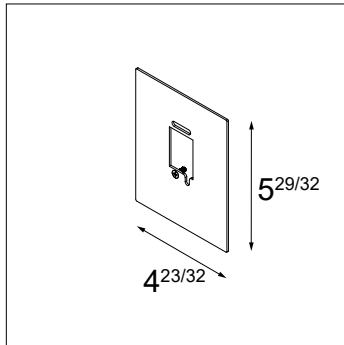
Accessories Specifications

- Accessories are optional (plaster plate comes standard*)
- Backplate / Cover Plate for covering a 4x4 octagonal electrical box or 3x2 electrical box
- Cover Plate Material: Stainless steel
- Cover Plate Finish: Powder Coat
- Plate Thickness: 0.08"
- Weight: 0.7lbs

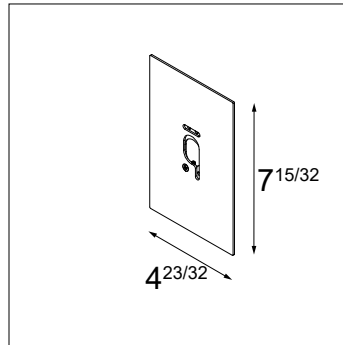
Plate Finish Options



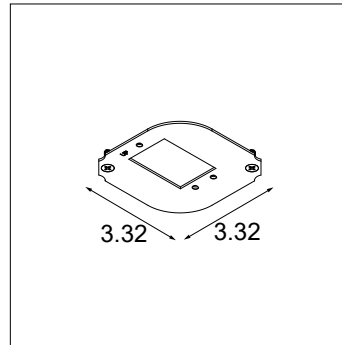
* An additional plaster plate can be ordered to be delivered in advance



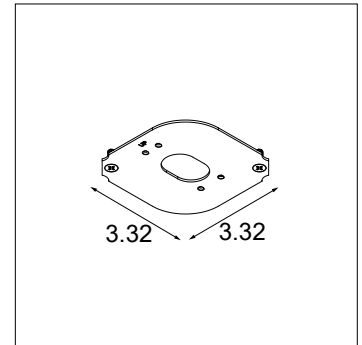
Backplate for
Tube Wall 3.2 Large



Backplate for
Tube Wall 3.2 X-Large



Plaster Finish Plate for 4x4 octagonal junction box
for Tube Wall 3.2 Large 1x / X-Large 2x



Plaster Finish Plate for 4x4 octagonal junction box
for Tube Wall 3.2 Large 1x / X-Large 2x

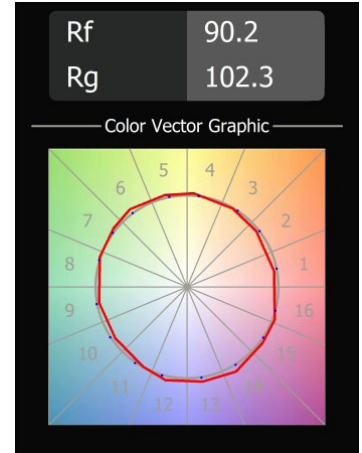
Accessory Ordering Information

BP-C	-		-	SMART-TW-3.2	-		
Backplate Cover	44	4"x4" Junction Box		SMART-TW-3.2 Smart Tube Wall 3.2*	L	Large Tube*	WHS White Structure
	32	3"x2" Junction Box			XL	X-large Tube*	BLS Black Structure
PP	-	44	-	SMART-TW-3.2	-		
Plaster Finish Plate for 4x4 octagonal junction box					L-1X-XL-2X	Large 1x / X-Large 2x	
					XL-1X	X-Large 1x	

* Size of backplate must match size of tube (page 3)

Performance Specifications (per lamp)

	Fixed	Adjustable
Weight	0.79lbs	0.89lbs
Adjustability	-	0-25°
Location	Damp	
CRI*	92, R9: 71	
Lifetime	L80 B20 @ 50,000 hrs	
UGR	see website	
Electrical (typical)	500mA	
Vf	14.4V	
Power	7.2W	



*CRI & TM-30 Value for 3000K

For photometric files see website or contact factory

Output Specifications

Reference: 3000K, 40deg (FL), 500mA, White
Values below are typical
() indicates multipliers

Fixed Lamp

Reference Delivered Lumens	CCT	Optics	Current	Finish
1112	2700K (0.96) 3000K (1.0) 3500K (1.04)	S (1.0) M (1.0) F (1.0) MPG M (0.98) MPG F (xxx) FRG F (xxx)	500mA (1.0)	WHS (1.0) GOMT (0.94) BLS (0.94)

Adjustable Lamp

Reference Delivered Lumens	CCT	Optics	Current	Finish
686	2700K (0.95) 3000K (1.0) 3500K (1.03)	M (1.05) F (1.0)	500mA (1.0)	WHS (1.0) GOMT (1.04) BLS (0.99)

Example Calculation

To determine typical output for 2700K, Medium optic, 350mA in Gold:
 $686 \times 0.95 \times 1.05 \times 1 \times 1.04 = 712$ lumen

Listings and Certifications

- ADA Compliant
- Damp location listed
- cUL & UL listed

Warranty

Visit <https://www.supermodular.com/warranty>