



Project

Type

Contact

Smart Lotis Tube Surface 3.2

Overview

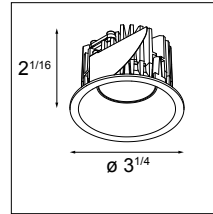


Try all three Smart designs, Kup, Lotis and Cake with the lovely shape of Smart Tube Surface. Combine a white or black structure cylinder, with designs in black and white structure, or gold finish.

With an outer diameter of 3.2" and an aperture of 2.7 inches (fixed version) or 2 inches (adjustable version), the Smart Lotis 3.2 is compact yet powerful. Combined with a tube (cylinder) that is offered in 2 lengths and multiple finishes, the beautiful combinations are yours to discover.

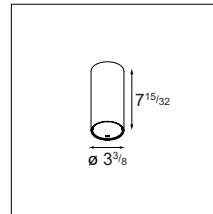
How to Specify (Example)

1. Select Lamp Module → Page 2



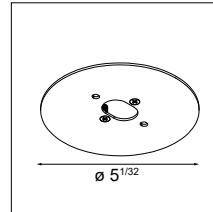
Example: **SMART-L-R-3.2-1X-30F-DP-DE-WHS**
(Smart Lotis Recessed 3.2 1x, 3000K, flood, damp rated, driver excluded, white structure)

2. Select Tube Body & Driver → Page 3



Example: **SMARU-S-3.2-XL-1X-DP-010P-DI-500-BLS**
(Smart Tube Surface 3.2 X-Large, 1 lamp, damp rated, 0-10V / ELV, driver included, 500mA, black structure)

3. Select Optional Accessories → Page 4



Example: **BP-C-44-SMART-ST-3.2-XL-BLS**
(Backplate cover, 4x4 jbox, Smart Surface Tube 3.2, X-Large, black structure)

Example Order:

Qty.	Item
1	SMART-L-R-3.2-1X-30F-DP-DE-WHS
1	SMARU-S-3.2-XL-1X-DP-010P-DI-500-BLS
1	BP-C-44-SMART-ST-3.2-XL-BLS

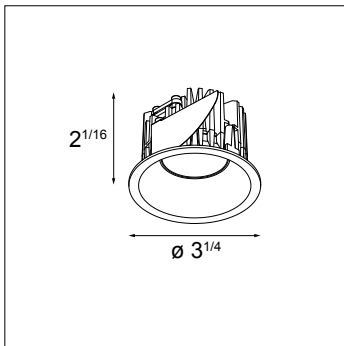
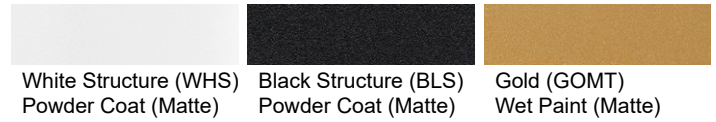


Lamp Specifications & Ordering Information

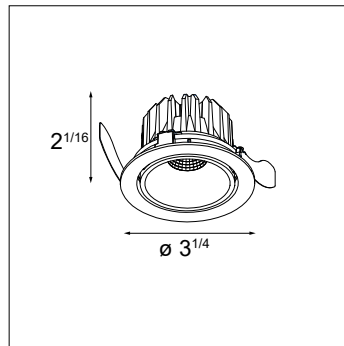
- Aperture: 2.7" (fixed version) / 2" (adjustable version)
- Adjustability: 0-25° (adjustable version only)
- Trim Material: Cast Aluminum
- Trim Finish: Powder Coat or Wet Paint*
- Must be combined with tube

* Wet Paint is only used for the gold finish

Lamp Module Finish Options



Smart Lotis Recessed 3.2



Smart Lotis Recessed Adjustable 3.2

Ordering Information

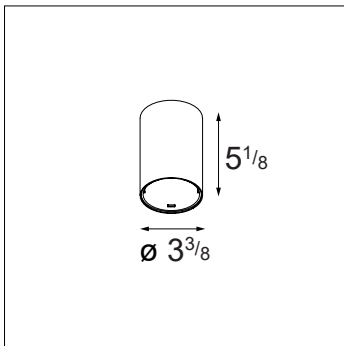
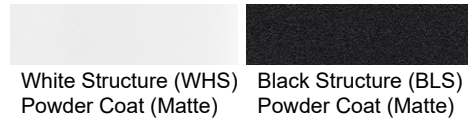
SMART-L-R-3.2-1X				DP	DE		
Smart Lotis Recessed 3.2 1x	[blank] No Glass ⁽¹⁾	27 2700K	S Spot 17° ⁽¹⁾	DP Damp Location	DE Driver Excluded	WHS White Structure	
	MPG Microprismatic Glass ⁽²⁾	30 3000K	M Medium 22° ^{(1)/(2)}			BLS Black Structure	
	FRG Frosted Glass ⁽³⁾	35 3500K	F Flood 40° ^{(1)/38°⁽²⁾(3)}			GOMT Gold Matt	

SMART-L-R-A-3.2-1X				DP	DE		
Smart Lotis Recessed Adjustable 3.2 1x	27 2700K	M Medium 22°	DP Damp Location	DE Driver Excluded	WHS White Structure		
	30 3000K	F Flood 40°			BLS Black Structure		
	35 3500K				GOMT Gold Matt		

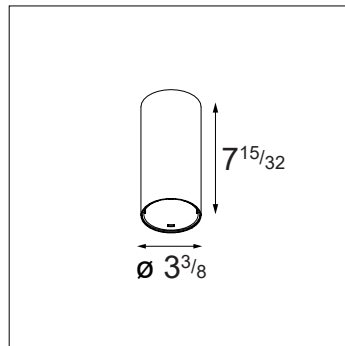
Tube & Driver Specifications

- Tube Material: Cast Aluminum
- Driver: Included in tube
- Included with tube: Plaster finish plate for 4x4 octagonal junction box
- Weight: 1.8lbs (Large version) / 2.7lbs (X-Large version)

Tube Finish Options



Smart Tube Surface 3.2 Large



Smart Tube Surface 3.2 X-Large

Driver Specifications

DRIVER	OUTPUT CURRENT	INPUT VOLTAGE	DIMMING TYPE	TYPICAL DIMMING LEVEL**	CONNECTED LOAD (TYPICAL)
010P-500	500mA	120-277VAC, 120VAC*	0-10V, ELV & Triac	1%	10.5 W

* Dimming via ELV and Triac only compatible at 120VAC

** Consult the factory for dimmer compatibility

Box Ordering Information

	DP	010P	DI	500	WHS	BLS
SMARU-S-3.2-L-1X	Damp Rated	0-10V/ELV/Triac	Driver Included	500 500mA	White Structure	
SMARU-S-3.2-XL-1X						Black Structure

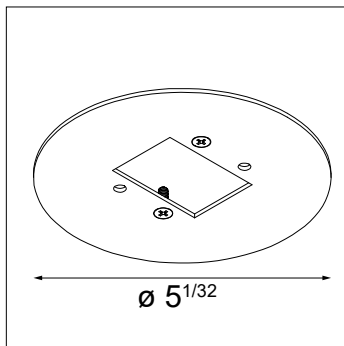
Accessories Specifications

- Accessories are optional (plaster plate comes standard*)
- Backplate / Cover Plate for covering a 4x4 octagonal electrical box or 3x2 electrical box
- Cover Plate Material: Stainless steel
- Cover Plate Finish: Powder Coat
- Plate Thickness: 0.08"
- Weight: 0.7lbs

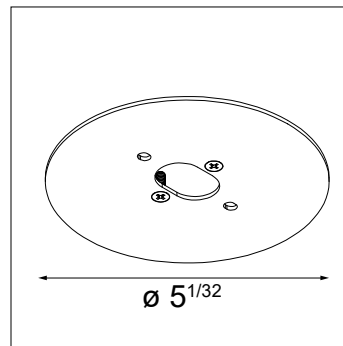
Plate Finish Options



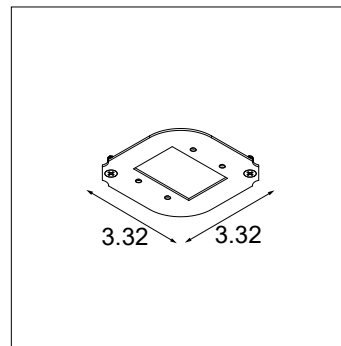
* An additional plaster plate can be ordered to be delivered in advance



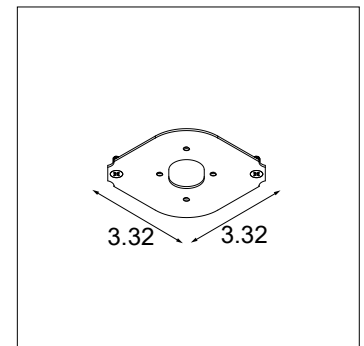
Backplate 4"x4"
Tube Surface 3.2 Large



Backplate 3"x2 1/4"x4"
Tube Surface 3.2 X-large



Plaster Finish Plate for 4x4 octagonal junction box
for Tube Surface 3.2 Large



Plaster Finish Plate for 4x4 octagonal junction box
for Tube Surface 3.2 X-Large

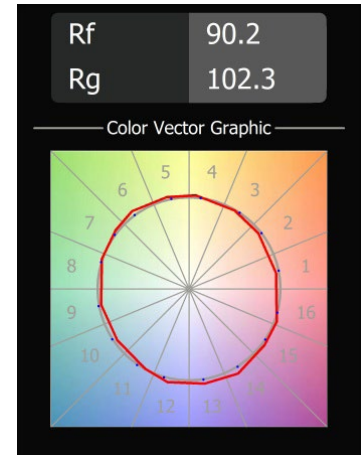
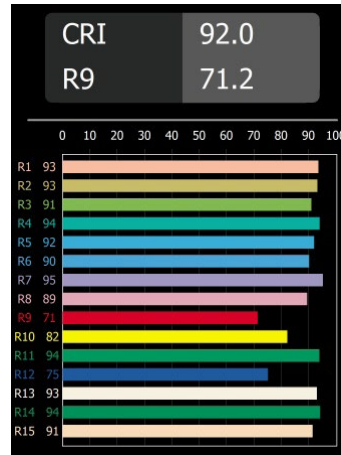
Accessory Ordering Information

BP-C	-		-	SMART-ST-3.2	-		-
Backplate Cover	44	4"x4" Junction Box		SMART-ST-3.2	Smart Tube Surface 3.2*	L	Tube Large*
	32	3"x2" Junction Box				XL	Tube X-large*
							WHS White Structure
							BLS Black Structure
PP	-	44	-	SMART-ST-3.2	-		
Plaster Finish Plate for 4x4 octagonal junction box						L	Tube Large
						XL	Tube X-large

* Size of backplate must match size of tube (page 3)

Performance Specifications (per lamp)

	Fixed	Adjustable
Weight	0.79lbs	0.89lbs
Adjustability	-	0-25°
Location	Damp	
CRI*	92, R9: 71	
Lifetime	L80 B20 @ 50,000 hrs	
UGR	see website	
Electrical (typical)	500mA	
Vf	14.4V	
Power	7.2W	



*CRI & TM-30 Value for 3000K

For photometric files see website or contact factory

Output Specifications

Reference: 3000K, 40deg (FL), 500mA, White
Values below are typical
() indicates multipliers

Fixed Lamp

Reference Delivered Lumens	CCT	Optics	Current	Finish
861	2700K (0.96) 3000K (1.0) 3500K (1.04)	S (1.0) M (1.0) F (1.0) MPG M (0.98) MPG F (0.89) FRG F (0.84)	500mA (1.0)	WHS (1.0) GOMT (0.94) BLS (0.94)

Adjustable Lamp

Reference Delivered Lumens	CCT	Optics	Current	Finish
686	2700K (0.95) 3000K (1.0) 3500K (1.03)	M (1.05) F (1.0)	500mA (1.0)	WHS (1.0) GOMT (1.04) BLS (0.99)

Example Calculation

To determine typical output for 2700K, Medium optic, 500mA in Gold:
686 x 0.95 x 1.05 x 1 x 1.04 = 712 lumen

Listings and Certifications

- Damp location listed
- cUL & UL listed

Warranty

Visit <https://www.supermodular.com/warranty>