



Project

Type

Contact

## Smart Lotis Tube Surface 3.2

### Overview

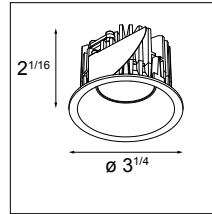


Try all three Smart designs, Kup, Lotis and Cake with the lovely shape of Smart Tube Surface. Combine a white or black structure cylinder, with designs in black and white structure, or gold finish.

With an outer diameter of 3.2" and an aperture of 2.7 inches (fixed version) or 2 inches (adjustable version), the Smart Lotis 3.2 is compact yet powerful. Combined with a tube (cylinder) that is offered in 2 lengths and multiple finishes, the beautiful combinations are yours to discover.

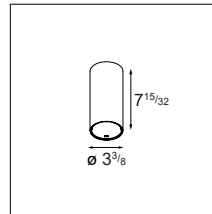
### How to Specify (Example)

#### 1. Select Lamp Module → Page 2



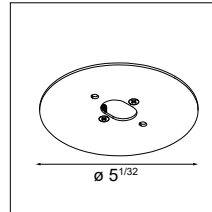
Example: **SMART-L-R-3.2-1X-30F-DP-DE-WHS**  
(Smart Lotis Recessed 3.2 1x, 3000K, flood, damp rated, driver excluded, white structure)

#### 2. Select Tube Body & Driver → Page 3



Example: **SMARU-S-3.2-XL-1X-DP-010P-DI-500-BLS**  
(Smart Tube Surface 3.2 X-Large, 1 lamp, damp rated, 0-10V / ELV, driver included, 500mA, black structure)

#### 3. Select Optional Accessories → Page 4



Example: **BP-C-44-SMART-ST-3.2-XL-BLS**  
(Backplate cover, 4x4 jbox, Smart Surface Tube 3.2, X-Large, black structure)

#### Example Order:

Qty.	Item
1	SMART-L-R-3.2-1X-30F-DP-DE-WHS
1	SMARU-S-3.2-XL-1X-DP-010P-DI-500-BLS
1	BP-C-44-SMART-ST-3.2-XL-BLS

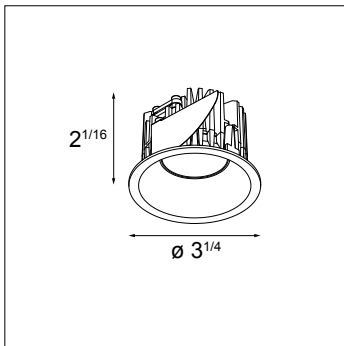


### Lamp Specifications & Ordering Information

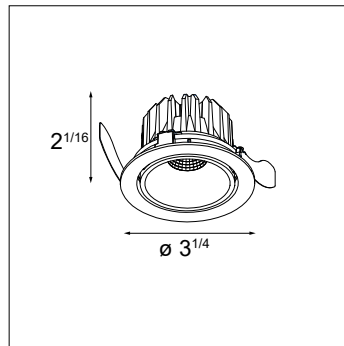
- Aperture: 2.7" (fixed version) / 2" (adjustable version)
- Adjustability: 0-25° (adjustable version only)
- Trim Material: Cast Aluminum
- Trim Finish: Powder Coat or Wet Paint\*
- Must be combined with tube

\* Wet Paint is only used for the gold finish

### Lamp Module Finish Options



Smart Lotis Recessed 3.2



Smart Lotis Recessed Adjustable 3.2

### Ordering Information

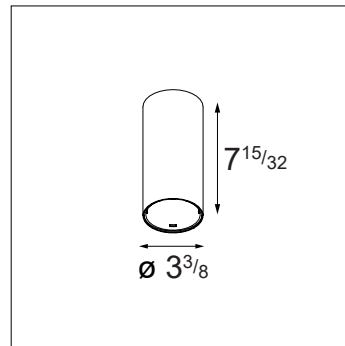
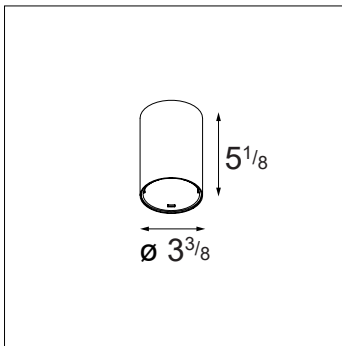
SMART-L-R-3.2-1X				DP		DE	
Smart Lotis Recessed 3.2 1x	<b>[blank]</b> No Glass <sup>(1)</sup>	<b>27</b> 2700K	<b>S</b> Spot 17° <sup>(1)</sup>	<b>DP</b> Damp Location	<b>DE</b> Driver Excluded	<b>WHS</b> White Structure	
	<b>MPG</b> Microprismatic Glass <sup>(2)</sup>	<b>30</b> 3000K	<b>M</b> Medium 22° <sup>(1)/(2)</sup>			<b>BLS</b> Black Structure	
	<b>FRG</b> Frosted Glass <sup>(3)</sup>	<b>35</b> 3500K	<b>F</b> Flood 40° <sup>(1)/38°<sup>(2)</sup>(3)</sup>			<b>GOMT</b> Gold Matt	

SMART-L-R-A-3.2-1X				DP		DE	
Smart Lotis Recessed Adjustable 3.2 1x	<b>27</b> 2700K	<b>M</b> Medium 22°	<b>DP</b> Damp Location	<b>DE</b> Driver Excluded	<b>WHS</b> White Structure		
	<b>30</b> 3000K	<b>F</b> Flood 40°			<b>BLS</b> Black Structure		
	<b>35</b> 3500K				<b>GOMT</b> Gold Matt		

### Tube & Driver Specifications

- Tube Material: Cast Aluminum
- Driver: Included in tube
- Included with tube: Plaster finish plate for 4x4 octagonal junction box
- Weight: 1.8lbs (Large version) / 2.7lbs (X-Large version)

### Tube Finish Options



### Driver Specifications

DRIVER	OUTPUT CURRENT	INPUT VOLTAGE	DIMMING TYPE	TYPICAL DIMMING LEVEL**	CONNECTED LOAD (TYPICAL)
010P-500	500mA	120-277VAC, 120VAC*	0-10V, ELV & Triac	1%	10.5 W

\* Dimming via ELV and Triac only compatible at 120VAC

\*\* Consult the factory for dimmer compatibility

### Box Ordering Information

	DP	010P	DI	500		
<b>SMARU-S-3.2-L-1X</b>	Smart Tube Surface 3.2 Large, 1 lamp	DP Damp Rated	010P 0-10V/ELV/Triac	DI Driver Included	500 500mA	<b>WHS</b> White Structure
<b>SMARU-S-3.2-XL-1X</b>	Smart Tube Surface 3.2 X-Large, 1 lamp					<b>BLS</b> Black Structure

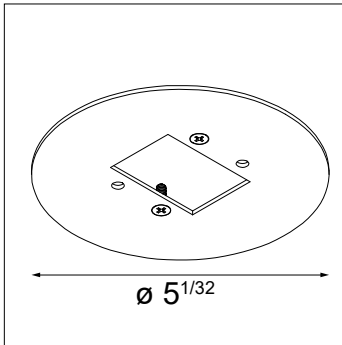
### Accessories Specifications

- Accessories are optional (plaster plate comes standard\*)
- Backplate / Cover Plate for covering a 4x4 octagonal electrical box or 3x2 electrical box
- Cover Plate Material: Stainless steel
- Cover Plate Finish: Powder Coat
- Plate Thickness: 0.08"
- Weight: 0.7lbs

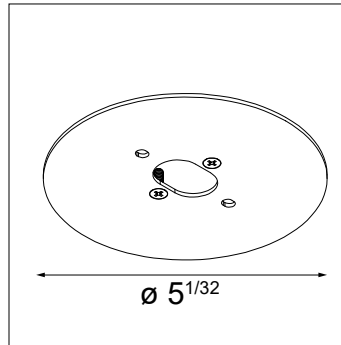
### Plate Finish Options



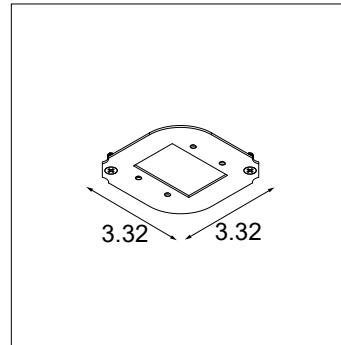
\* An additional plaster plate can be ordered to be delivered in advance



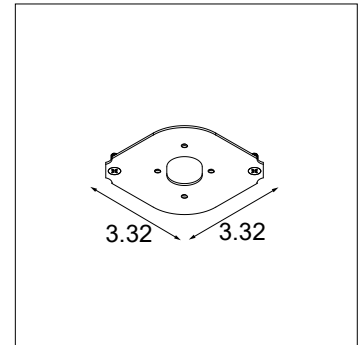
Backplate 4"x4"  
Tube Surface 3.2 Large



Backplate 3"x2 1/4"x4"  
Tube Surface 3.2 X-large



Plaster Finish Plate for 4x4 octagonal junction box  
for Tube Surface 3.2 Large



Plaster Finish Plate for 4x4 octagonal junction box  
for Tube Surface 3.2 X-Large

### Accessory Ordering Information

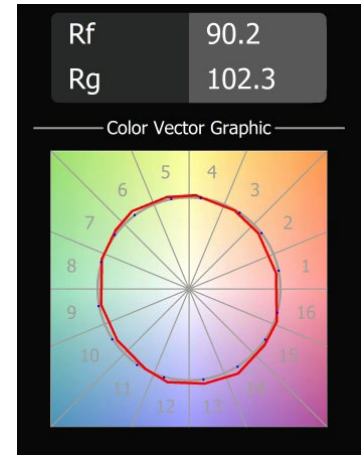
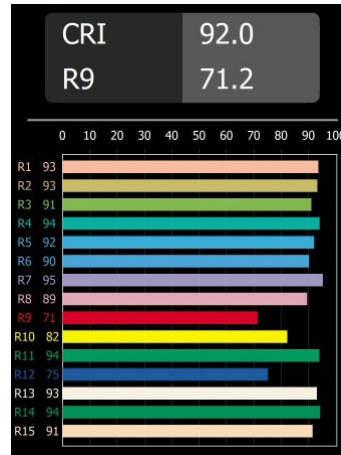
<b>BP-C</b>	-		-	<b>SMART-ST-3.2</b>	-		-
Backplate Cover	44	4"x4" Junction Box		<b>SMART-ST-3.2</b>	Smart Tube Surface 3.2*	L	Tube Large*
	32	3"x2" Junction Box				XL	Tube X-large*
							<b>WHS</b> White Structure
							<b>BLS</b> Black Structure
<b>PP</b>	-	<b>44</b>	-	<b>SMART-ST-3.2</b>	-		
Plaster Finish Plate for 4x4 octagonal junction box						L	Tube Large
						XL	Tube X-large

\* Size of backplate must match size of tube (page 3)

### Performance Specifications (per lamp)

	Fixed	Adjustable
Weight	0.79lbs	0.89lbs
Adjustability	-	0-25°
Location	Damp	
CRI*	92, R9: 71	
Lifetime	L80 B20 @ 50,000 hrs	
UGR	see website	
Electrical (typical)	500mA	
Vf	14.4V	
Power	7.2W	

For photometric files see website or contact factory



\*CRI & TM-30 Value for 3000K

### Output Specifications

Reference: 3000K, 40deg (FL), 500mA, White  
Values below are typical  
( ) indicates multipliers

#### Fixed Lamp

Reference Delivered Lumens	CCT	Optics	Current	Finish
1112	2700K (0.96) 3000K (1.0) 3500K (1.04)	S (1.0) M (1.0) F (1.0) MPG M (0.98) MPG F (xxx) FRG F (xxx)	500mA (1.0)	WHS (1.0) GOMT (0.94) BLS (0.94)

#### Adjustable Lamp

Reference Delivered Lumens	CCT	Optics	Current	Finish
686	2700K (0.95) 3000K (1.0) 3500K (1.03)	M (1.05) F (1.0)	500mA (1.0)	WHS (1.0) GOMT (1.04) BLS (0.99)

#### Example Calculation

To determine typical output for 2700K, Medium optic, 350mA in Gold:  
686 x 0.95 x 1.05 x 1 x 1.04 = 712 lumen

### Listings and Certifications

- Damp location listed
- cUL & UL listed

### Warranty

Visit <https://www.supermodular.com/warranty>