

Placebo Suspended - Driver Integral

Overview

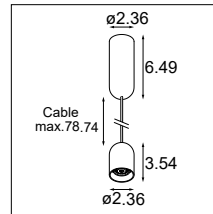


Pure shapes with function and form

A playful luminaire, the idea of Placebo quickly became a product family. Placebo isn't just one luminaire. Two shapes, each in 2 sizes, and all 4 offer 2 lighting possibilities. Ball or tube, small or large, many colors, or dress up Placebo with its decorative shades to add presence and volume. It's a family of elements inviting you to mix and match. Placebo is a multitude of playful general lighting luminaires for residential, hospitality and small retail spaces.

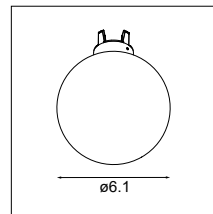
How to Specify (Example)

1. Select suspension body → Page 2



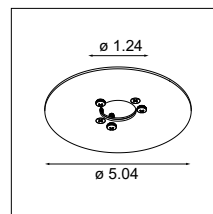
Example: **PLACE-SP-D-2.4-1X-27-DP-010P-DI-CHBA**
(Placebo Suspended Down 2.4 1x, 2700K, damp rated, 0-10V / ELV / Triac, driver included, anodized champagne)

2. Select Glass → Page 3



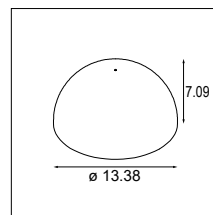
Example: **PLACEBO-GLB-DO-6.1**
(Placebo Glass Ball down, 6.1")

3. Select Mounting Accessory → Page 4



Example: **BP-C-44-PLACEBO-DI-BLS**
(Backplate, for 4x4, black)

4. Select Optional Shade → Page 5



Example: **PLACEBO-BEANIE-CH**
(Placebo Beanie Champagne)

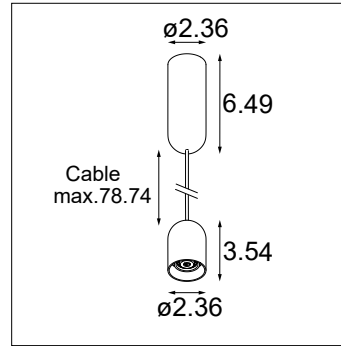
Example Order:

Qty.	Item
1	PLACE-SP-D-2.4-1X-27-DP-010P-DI-CHBA
1	PLACEBO-GLB-DO-6.1
1	BP-C-44-PLACEBO-DI-BLS
1	PLACEBO-BEANIE-CH

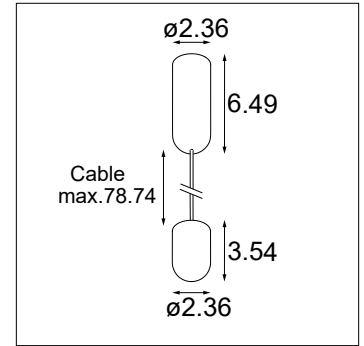
Placebo Suspended - Driver Integral

Luminaire Specifications & Ordering Information

- Body Material: Aluminum
- Finish: Powder Coat or anodized
- The canopy (driver body) color matches the color of the Placebo body
- Cable Diameter: 0.18"
- Cable Color: Black
- Cable length can be shortened during installation
- **Must be combined with glass and mounting accessory**



Placebo Down Suspended



Placebo Up Suspended

Finish Information



Ordering Information

				DP	0-10P	DI		
PLACE-SP-D-2.4-1X	Placebo Suspended Down 2.4 1x	27	2700K	DP Damp Location	010P 0-10V, ELV & Triac	DI Driver Included	WHS White Structure	
PLACE-SP-U-2.4-1X	Placebo Suspended Up 2.4 1x	30	3000K				BLS Black Structure	
		35	3500K				BLBA Anodized Black	
		WD	Warm Dim				BRBA Anodized Bronze	
							CHBA Anodized Champagne	
							SBBA Anodized Silver Bronze	

Driver Specifications

DRIVER	INPUT VOLTAGE	DIMMING TYPE	TYPICAL DIMMING LEVEL**	CONNECTED LOAD (TYPICAL)
010P	120-277VAC, 120VAC*	0-10V, ELV & Triac	1%	8.2 W

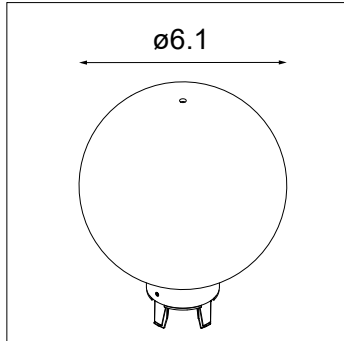
* Dimming via ELV and Triac only compatible at 120VAC

** Consult the factory for dimmer compatibility

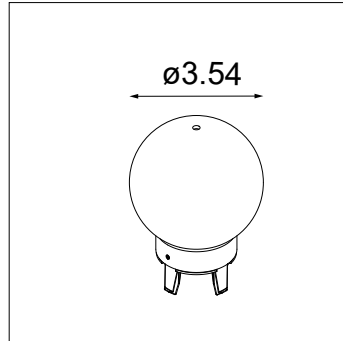
Placebo Suspended - Driver Integral

Glass Specifications

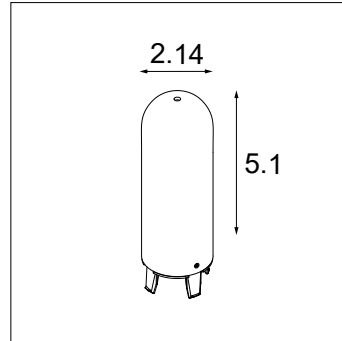
- Glass selection required for use with Placebo
- Glass components attach mechanically with a twist to lock onto Placebo luminaire
- Glass Material: 3-layer hand blown glass
- For “up” versions, cable is not visible through glass



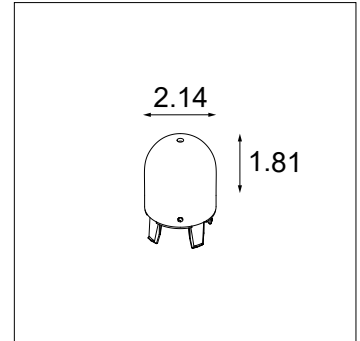
Placebo Glass Ball Up (GLB) Ø6.1"



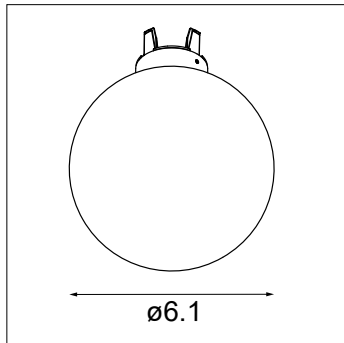
Placebo Glass Ball Up (GLB) Ø3.5"



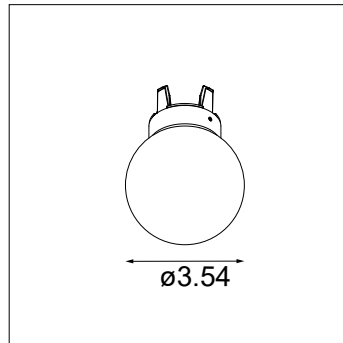
Placebo Glass Tube Up (GLT) 5.1"



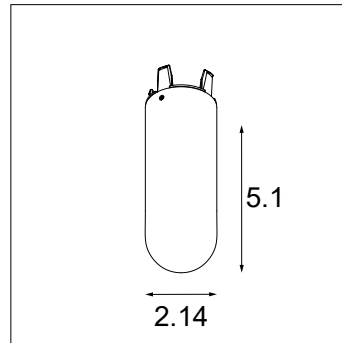
Placebo Glass Tube Up (GLT) 1.8"



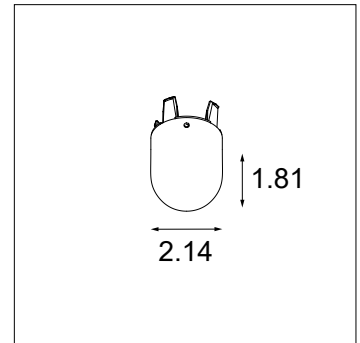
Placebo Glass Ball Down (GLB) Ø6.1"



Placebo Glass Ball Down (GLB) Ø3.5"



Placebo Glass Tube Down (GLT) 5.1"



Placebo Glass Tube Down (GLT) 1.8"

Glass Information & Ordering

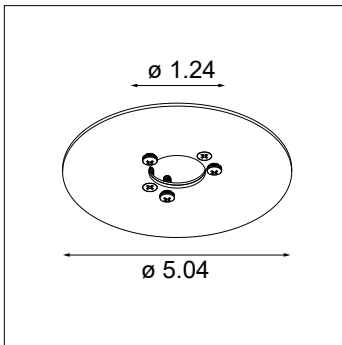
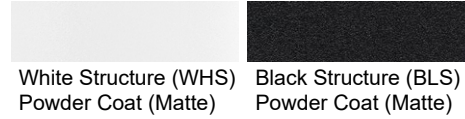
SELECTION ↓	ORDERING CODE	WEIGHT	COMPATIBILITY	
			UP	DOWN
	PLACEBO-GLB-DO-3.5	0.39lbs	No	Yes
	PLACEBO-GLB-DO-6.1	1.07lbs	No	Yes
	PLACEBO-GLT-DO-1.8	0.14lbs	No	Yes
	PLACEBO-GLT-DO-5.1	0.37lbs	No	Yes
	PLACEBO-GLB-UP-3.5	0.39lbs	Yes	No
	PLACEBO-GLB-UP-6.1	1.07lbs	Yes	No
	PLACEBO-GLT-UP-1.8	0.14lbs	Yes	No
	PLACEBO-GLT-UP-5.1	0.37lbs	Yes	No

Placebo Suspended - Driver Integral

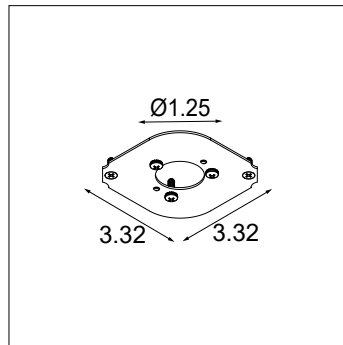
Mounting Accessories Specifications

- Mounting Accessory selection required for use with Placebo
- Backplate / Cover Plate provides a cULus listed option for covering a 4x4 octagonal electrical box
- Plaster Plate provides a cULus listed option for covering a 4x4 octagonal electrical box with plaster finish
- Cover Plate / Plaster Plate Material: Stainless steel
- Cover Plate Finish: Powder Coat
- Cover Plate Thickness: 0.08"
- Cover Plate Weight: 0.7lbs

Plate Finish Options



Backplate / Cover Plate



Plaster Plate

Accessory Ordering Information

- **44** - **PLACEBO-DI** -

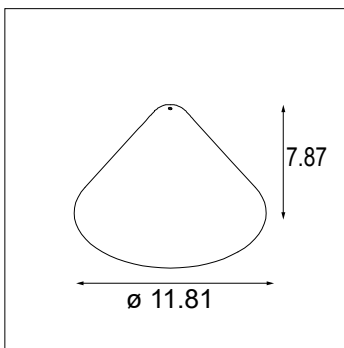
BP-C	Backplate Cover	44	4"x4" Junction Box	Placebo DI	WHS	White Structure
PP	Plaster Plate				BLS	Black Structure
						<i>! not applicable for Plaster Cover (leave blank)</i>

Placebo Suspended - Driver Integral

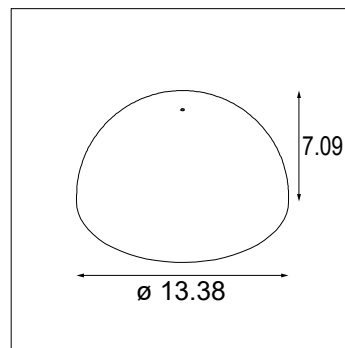
Shade Specifications

- Shades are optional (not required for use with Placebo)
- Shade material: Aluminum
- Exterior Finish: Paint or Paint with brushed metallic finish
- Interior Finish: Matte white (RAL 9002) Paint except with Sombrero which only has an exterior finish
- Sombrero only compatible with down Placebo version
- Weight: Douli – 1.1lbs
Beanie - 1.98lbs
Sombrero - 0.92lbs

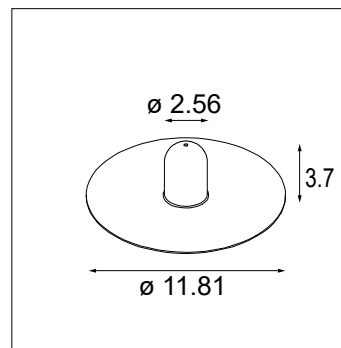
Finish Information



Placebo Douli



Placebo Beanie



Placebo Sombrero

Ordering Information

PLACEBO

DOULIE

BEANIE

SOMBRERO

BLMT Black Matte

BR Bronze

CH Champagne

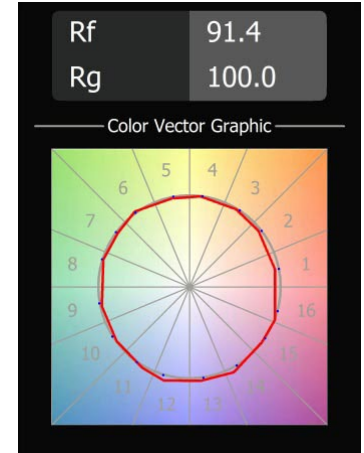
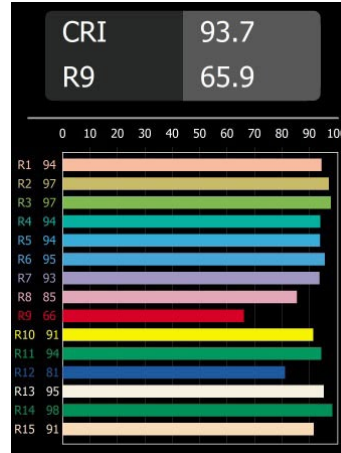
GWMT Grey White
Matte

Placebo Suspended - Driver Integral

Performance Specifications (per luminaire)

	Fixed CCT	Warm Dim
Weight		1.21lbs
Location		Damp
CRI*	93, R9: 65	94, R9: 69
Lifetime	L80 B20 @ 50,000 hrs	
UGR	see website	

For photometric files see website or contact factory



* CRI & TM-30 Value for 3000K

Output Specifications

Performance is typical per head
() indicates multipliers

Version	Reference Delivered Lumens	CCT	Optics
Down	626 (Ref: 3000K, Glass ball Ø6.1, no shade)	2700K (0.97) 3000K (1.0) 3500K (1.06)	Tube 1.8 (0.72) Tube 1.8 + Somb WHS (0.58) Tube 1.8 + Somb BLS (0.54) Tube 1.8 + Beanie (0.51) Tube 1.8 + Douli (0.50) Tube 5.1 (0.88) Tube 5.1 + Somb WHS (0.85) Tube 5.1 + Somb BLS (0.67) Tube 5.1 + Beanie (0.57) Tube 5.1 + Douli (0.62) Ball 3.5 (0.85) Ball 3.5 + Somb WHS (0.90) Ball 3.5 + Somb BLS (0.72) Ball 3.5 + Beanie (0.76) Ball 3.5 + Douli (0.72) Ball 6.1 (1.0) Ball 6.1 + Somb WHS (0.96) Ball 6.1 + Somb BLS (0.83) Ball 6.1 + Beanie (0.76) Ball 6.1 + Douli (0.75)
Up	626 (Ref: 3000K, Glass ball Ø6.1, no shade)	2700K (0.97) 3000K (1.0) 3500K (1.06)	Tube 1.8 (0.72) Tube 1.8 + Beanie (0.32) Tube 1.8 + Douli (0.16) Tube 5.1 (0.88) Tube 5.1 + Beanie (0.44) Tube 5.1 + Douli (0.39) Ball 3.5 (0.85) Ball 3.5 + Beanie (0.46) Ball 3.5 + Douli (0.31) Ball 6.1 (1.0) Ball 6.1 + Beanie (0.47) Ball 6.1 + Douli (0.42)

Example Calculation

To determine typical output for Down, 2700K, tube 5.1 + Beanie
 $626 \times 0.97 \times 0.57 = 346$ lumen

Listings and Certifications

- Damp location listed
- cUL & UL listed

Warranty

Visit <https://www.supermodular.com/warranty>