

Placebo Suspended 2.4 1x DI

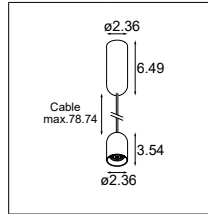
Overview



Placebo Suspended is a paradigm of playful choices of up and down light. Different shapes, sizes and shades designed for you, with all kinds of color combinations. Turn your creative vision into lovely rhythms of pure forms and light with Placebo Suspended.

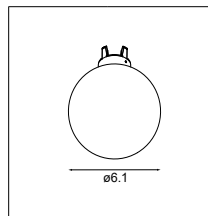
How to Specify (example)

1. Select Luminaire / Body → Page 2



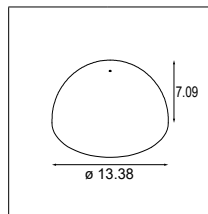
Example: **PLACE-SP-D-2.4-1X-30-DP-010P-DI-CHBA**
Placebo Suspended Down 2.4 1x, 3000K, damp rated, 0-10V, ELV & Triac driver included, champagne

2. Select Glass → Page 3



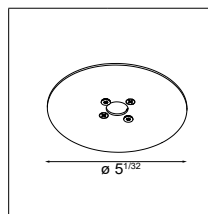
Example: **PLACEBO-GLB-DO-6.1**
Placebo Glass Ball Down, Ø6.1"

3. Select Decorative Accessory → Page 4



Example: **PLACEBO-BEANIE-CH**
Placebo Beanie, champagne

4. Select Mounting Accessory (required) → Page 5



Example: **BP-C-44-PLACE-DI-BLS**
Backplate Cover, for 4"x4" octagonal junction box, black structure

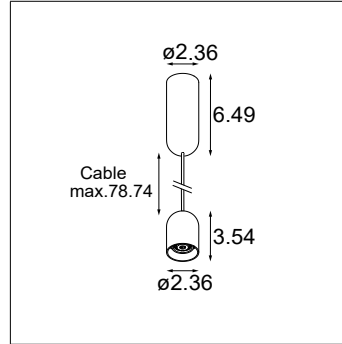
Example order:

Quantity	Item
1	PLACE-SP-D-2.4-1X-30-DP-010P-DI-CHBA
1	PLACEBO-GLB-DO-6.1
1	PLACEBO-BEANIE-CH
1	BP-C-44-PLACE-DI-BLS

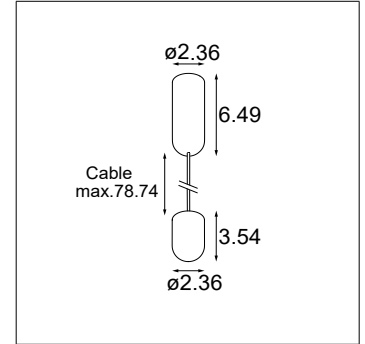
Placebo Suspended 2.4 1x DI

Luminaire Specifications

- Body material: aluminum
- Body finish: powder coat or anodisation
- Canopy finish matches the body finish
- Cable diameter: 0.17"
- Cable color: black
- Cable length: 78.7" (can be field adjusted)
- Driver: included in the body
- Must be combined with glass (specify on page 3)
- Can optionally be combined with decorative accessory (specify on page 4)
- Must be combined with mounting accessory (specify on page 5)



Placebo Suspended Down 2.4 1x DI

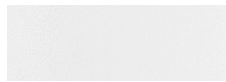


Placebo Suspended Up 2.4 1x DI

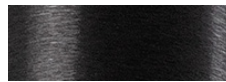
Finish Information



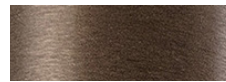
Black Structure (BLS)
Powder Coat (Matte)



White Structure (WHS)
Powder Coat (Matte)



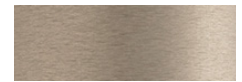
Black (BLBA)
Anodised (Brushed)



Bronze (BRBA)
Anodised (Brushed)



Champagne (CHBA)
Anodised (Brushed)



Silver Bronze (SBBA)
Anodised (Brushed)

Electrical Specifications

Driver Version	Input	Output	Dim ⁽²⁾	Lamp Type		Connected Load	
				Fixed CCT	Warm Dim	Fixed CCT	Warm Dim
010P	120-277VAC ⁽¹⁾	350mA DC	0-10V, ELV & Triac - 1%	☑	☑	8.2W	9.5W

⁽¹⁾ Dimming via ELV & Triac only compatible at 120VAC input

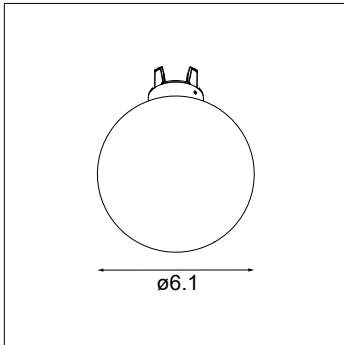
⁽²⁾ Consult the factory for dimmer compatibility

Ordering Information

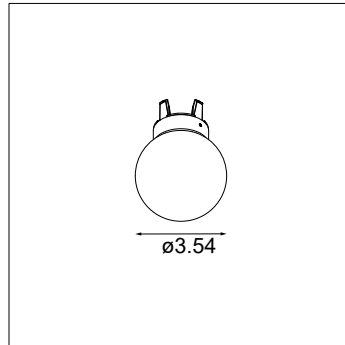
				DP	010P	DI		
PLACE-SP-D-2.4-1X	Placebo Suspended Down 2.4 1x	27	2700K	DP	010P	DI	BLS	Black Structure
PLACE-SP-U-2.4-1X	Placebo Suspended Up 2.4 1x	30	3000K				WHS	White Structure
		35	3500K				BLBA	Black Brushed
		WD	Warm Dim 3000K - 1800K				BRBA	Bronze Brushed
							CHBA	Champagne Brushed
							SBBA	Silver Bronze Brushed

Glass Specifications

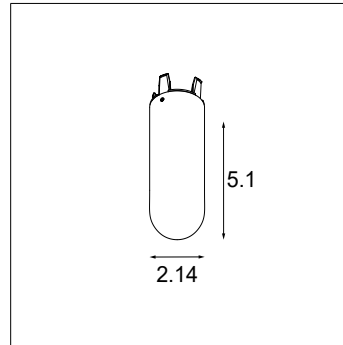
- Glass is required for installation
- Glass components attach mechanically with a twist to lock onto the luminaire
- Glass material: 3-layered hand blown glass (opal)
- For "up" luminaires: power feed cable is not visible through the glass



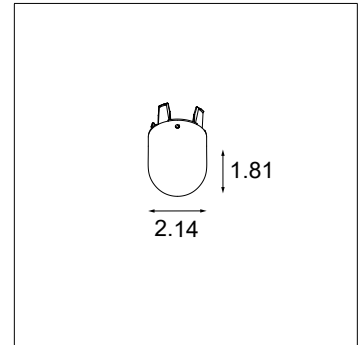
Placebo Glass Ball Down Ø6.1"



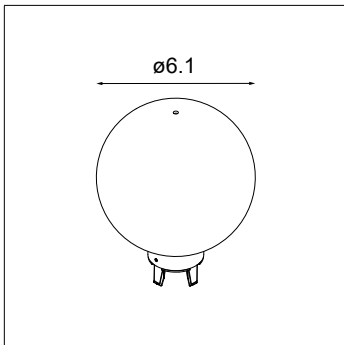
Placebo Glass Ball Down Ø3.5"



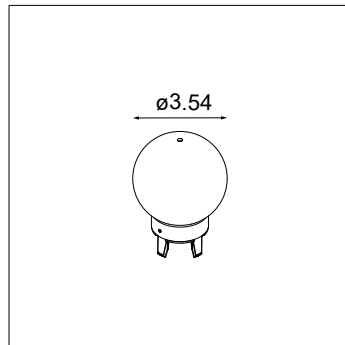
Placebo Glass Tube Down 5.1"



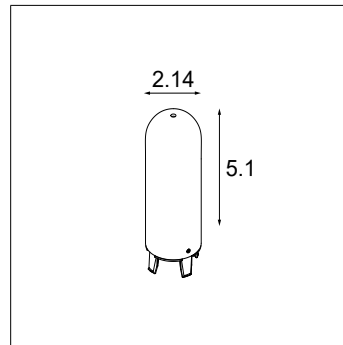
Placebo Glass Tube Down 1.8"



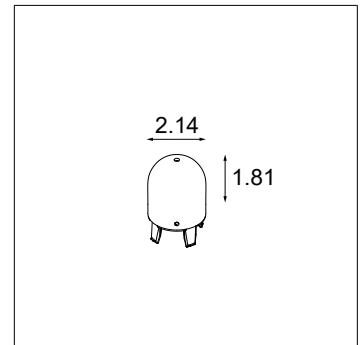
Placebo Glass Ball Up Ø6.1"



Placebo Glass Ball Up Ø3.5"



Placebo Glass Tube Up 5.1"



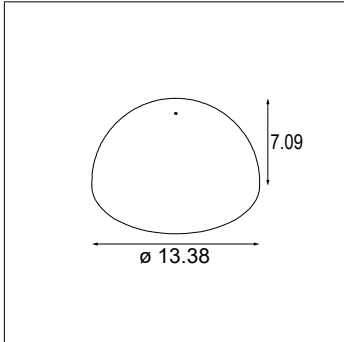
Placebo Glass Tube Up 1.8"

Ordering Information

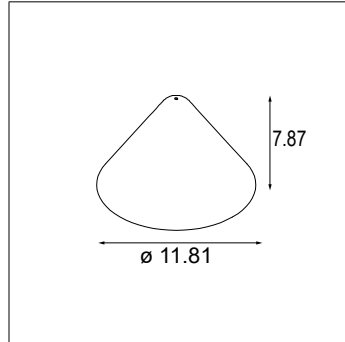
Ordering Code	For Luminaire	Version	Weight
PLACEBO-GLB-DO-6.1	Down (Fixed CCT / Warm Dim)	Glass Ball Ø6.1"	1.07lbs
PLACEBO-GLB-DO-3.5	Down (Fixed CCT / Warm Dim)	Glass Ball Ø3.5"	0.39lbs
PLACEBO-GLT-DO-5.1	Down (Fixed CCT / Warm Dim)	Glass Tube 5.1"	0.37lbs
PLACEBO-GLT-DO-1.8	Down (Fixed CCT / Warm Dim)	Glass Tube 1.8"	0.14lbs
PLACEBO-GLB-UP-6.1	Up (Fixed CCT / Warm Dim)	Glass Ball Ø6.1"	1.07lbs
PLACEBO-GLB-UP-3.5	Up (Fixed CCT / Warm Dim)	Glass Ball Ø3.5"	0.39lbs
PLACEBO-GLT-UP-5.1	Up (Fixed CCT / Warm Dim)	Glass Tube 5.1"	0.37lbs
PLACEBO-GLT-UP-1.8	Up (Fixed CCT / Warm Dim)	Glass Tube 1.8"	0.14lbs

Decorative Accessories Specifications

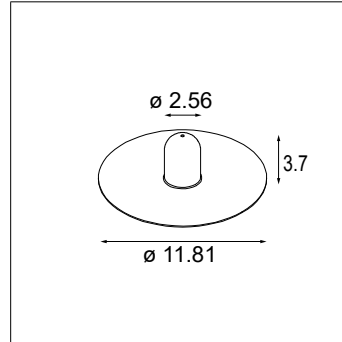
- Optional, maximum 1 per luminaire
- Material: aluminum
- Exterior finish: wet paint
- Interior finish: wet paint, always matte grey white (except for Sombrero, which only has an exterior finish)
- Sombrero is only compatible with “down” luminaires



Placebo Beanie



Placebo Douli

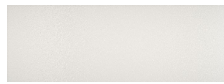


Placebo Sombrero

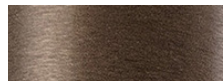
Finish Information



Black (BLMT)
Wet Paint (Matte)



Grey White (GWMT)
Wet Paint (Matte)



Bronze (BR)
Wet Paint (Brushed)



Champagne (CH)
Wet Paint (Brushed)

Ordering Information

Ordering Code	Version	Exterior Finish	Weight
PLACEBO-BEANIE-BLMT	Beanie	Black	1.98lbs
PLACEBO-BEANIE-GWMT	Beanie	Grey White	1.98lbs
PLACEBO-BEANIE-BR	Beanie	Bronze	1.98lbs
PLACEBO-BEANIE-CH	Beanie	Champagne	1.98lbs
PLACEBO-DOULI-BLMT	Douli	Black	1.10lbs
PLACEBO-DOULI-GWMT	Douli	Grey White	1.10lbs
PLACEBO-DOULI-BR	Douli	Bronze	1.10lbs
PLACEBO-DOULI-CH	Douli	Champagne	1.10lbs
PLACEBO-SOMBRERO-BLMT	Sombrero	Black	0.92lbs
PLACEBO-SOMBRERO-GWMT	Sombrero	Grey White	0.92lbs
PLACEBO-SOMBRERO-BR	Sombrero	Bronze	0.92lbs
PLACEBO-SOMBRERO-CH	Sombrero	Champagne	0.92lbs

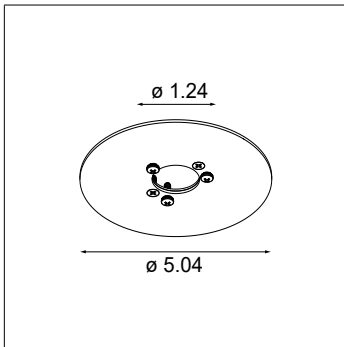
Mounting Accessories Specifications

Backplate

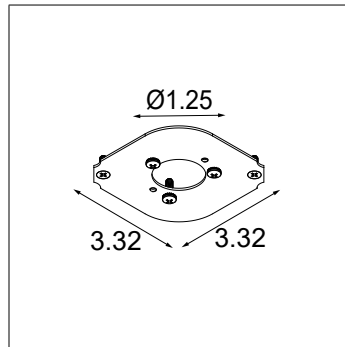
- For installation with a 4"x4" octagonal junction box
- Backplate covers the junction box
- Material: stainless steel
- Finish: powder coat
- Thickness: 0.08"
- Weight: 0.6lbs

Plaster Plate

- For installation with a 4"x4" octagonal junction box
- Plaster finish
- Material: stainless steel
- Thickness: 0.06"
- Weight: 0.2lbs



Backplate

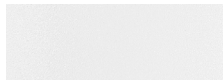


Plasterplate

Finish Information



Black Structure (BLS)
Powder Coat (Matte)



White Structure (WHS)
Powder Coat (Matte)

Ordering Information

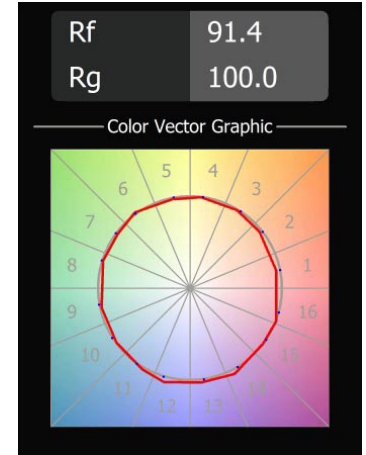
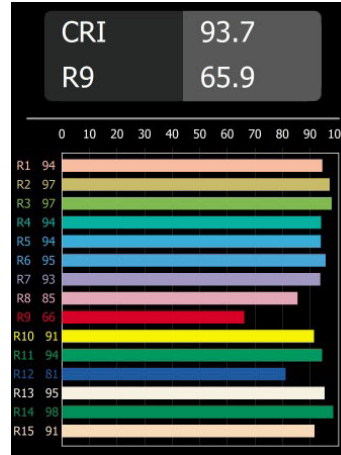
Ordering Code	Version	Finish
BP-C-44-PLACE-DI-BLS	Backplate for 4"x4" octagonal junction box	Black Structure
BP-C-44-PLACE-DI-WHS	Backplate for 4"x4" octagonal junction box	White Structure
PP-44-PLACE-DI	Plasterplate for 4"x4" octagonal junction box	n/a

Placebo Suspended 2.4 1x DI

Performance Specifications (per luminaire)

Luminaire	Fixed CCT	Warm Dim
Weight	1.2lbs	1.2lbs
Location	damp	damp
CRI*	93, R9: 65	94, R9: 69
Lifetime	L80 B20 @ 50.000 hrs	L80 B20 @ 50.000 hrs
UGR	see website	see website

* CRI & TM-30 Value for 3000K



For photometric files see website or contact factory.

Output Specifications (per luminaire)

Down			
Lumens	CCT	Glass & Decorative Accessory	
626	2700K (0.97)	GLASS BALL 6.1	(1.00)
	3000K (1.00)	GLASS BALL 6.1 + BEANIE	(0.76)
	3500K (1.06)	GLASS BALL 6.1 + DOULI	(0.75)
	WD (0.61)	GLASS BALL 6.1 + SOMBRERO BLMT	(0.83)
		GLASS BALL 6.1 + SOMBRERO GWMT	(0.96)
		GLASS BALL 3.5	(0.85)
		GLASS BALL 3.5 + BEANIE	(0.70)
		GLASS BALL 3.5 + DOULI	(0.72)
		GLASS BALL 3.5 + SOMBRERO BLMT	(0.72)
		GLASS BALL 3.5 + SOMBRERO GWMT	(0.90)
		GLASS TUBE 5.1	(0.88)
		GLASS TUBE 5.1 + BEANIE	(0.57)
		GLASS TUBE 5.1 + DOULI	(0.62)
		GLASS TUBE 5.1 + SOMBRERO BLMT	(0.67)
		GLASS TUBE 5.1 + SOMBRERO GWMT	(0.85)
		GLASS TUBE 1.8	(0.72)
	GLASS TUBE 1.8 + BEANIE	(0.52)	
	GLASS TUBE 1.8 + DOULI	(0.50)	
	GLASS TUBE 1.8 + SOMBRERO BLMT	(0.54)	
	GLASS TUBE 1.8 + SOMBRERO GWMT	(0.58)	

Up			
Lumens	CCT	Glass & Decorative Accessory	
626	2700K (0.97)	GLASS BALL 6.1	(1.00)
	3000K (1.00)	GLASS BALL 6.1 + BEANIE	(0.48)
	3500K (1.06)	GLASS BALL 6.1 + DOULI	(0.42)
	WD (0.61)	GLASS BALL 3.5	(0.85)
		GLASS BALL 3.5 + BEANIE	(0.46)
		GLASS BALL 3.5 + DOULI	(0.31)
		GLASS TUBE 5.1	(0.88)
		GLASS TUBE 5.1 + BEANIE	(0.44)
		GLASS TUBE 5.1 + DOULI	(0.39)
		GLASS TUBE 1.8	(0.72)
		GLASS TUBE 1.8 + BEANIE	(0.32)
	GLASS TUBE 1.8 + DOULI	(0.16)	

Values are typical delivered lumens, multipliers are indicated between brackets: ()

Example calculation, to determine typical output for Down, 2700K, Glass ball 3.5 & Beanie: 626 x (0.97) x (0.70) = 425 lumens

Listings and Certifications

- Listed: cULus
- Damp locations



Warranty

- Visit <https://www.supermodular.com/en-us/warranty/>