

Smart Lotis Tube Suspended 3.2

Overview

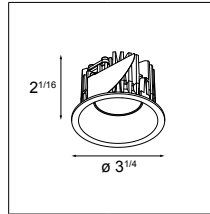


Smart Lotis is the best known fixture within the Smart family. The deeply recessed cone which holds the light source inspired the designers to create a very versatile spot to be combined with multiple accessories.

With an outer diameter of 3.2" and an aperture of 2.7 inches (fixed version) or 2 inches (adjustable version), the Smart Lotis 3.2 is compact yet powerful. Combined with a suspended tube (cylinder) that has multiple finishes, the beautiful combinations are yours to discover.

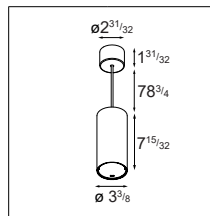
How to Specify (example)

1. Select Lamp Unit → Page 2



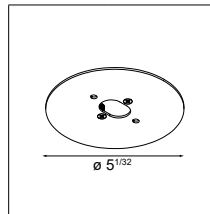
Example: **SMART-L-R-3.2-1X-MG-30F-DP-DE-GOMT**
Smart Lotis 3.2, fix version, microprismatic glass, 3000K, flood, damp rated, gold

2. Select Tube → Page 3



Example: **SMARU-SP-3.2-XL-1X-DP-LE/TE-DI-500-BLS**
Tube Suspended 3.2 XL, damp rated, ELV & Triac driver included, 500mA, black structure

3. Select Optional Accessories → Page 4



Example: **BP-C-44-SMART-TSS-3.2-XL-BLS**
Backplate Cover, for 4"x4" octagonal junction box, Tube Suspended 3.2 XL, black structure

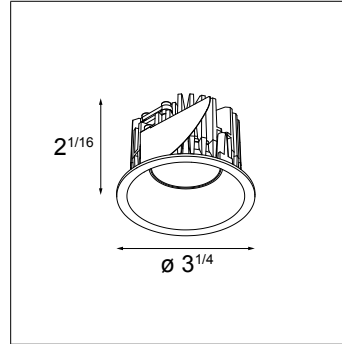
Example order:

Quantity	Item
1	SMART-L-R-3.2-1X-MG-30F-DP-DE-GOMT
1	SMARU-SP-3.2-XL-1X-DP-LE/TE-DI-500-BLS
1	BP-C-44-SMART-TSS-3.2-XL-BLS

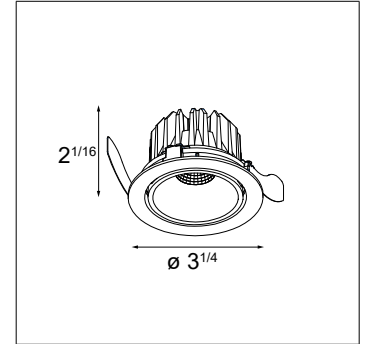
Smart Lotis Tube Suspended 3.2

Lamp Specifications

- Aperture: 2.7" (fix version), 2" (adjustable version)
- Adjustability: 0-25° (adjustable version only)
- Trim material: cast aluminum
- Trim finish: powder coat or wet paint
- Must be combined with Tube



Smart Lotis 3.2 (fix version)

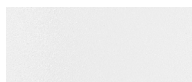


Smart Lotis Adjustable 3.2 (adjustable version)

Finish Information



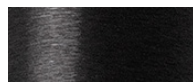
Black Structure (BLS)
Powder Coat (Matte)



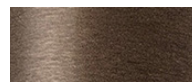
White Structure (WHS)
Powder Coat (Matte)



Gold (GOMT)
Wet Paint (Matte)



Black (BLBR)
Wet Paint (Brushed)



Bronze (BRBR)
Wet Paint (Brushed)



Champagne (CHBR)
Wet Paint (Brushed)



Silver Bronze (SBBR)
Wet Paint (Brushed)

Ordering Information

SMART-L-R-3.2-1X	-		-		-	DP	-	DE	-	
-------------------------	---	--	---	--	---	-----------	---	-----------	---	--

SMART-L-R-3.2-1X Smart Lotis 3.2 (fix version)	MG Microprismatic Glass	27 2700K	F Flood (41°) ⁽²⁾	DP Damp Location	BLS Black Structure	
	FG Frosted Glass ⁽¹⁾	30 3000K	M Medium (23°)			WHS White Structure
		35 3500K	S Spot (17°)			GOMT Gold Matte
					BLBR Black Brushed	
					BRBR Bronze Brushed	
					CHBR Champagne Brushed	
					SBBR Silver Bronze Brushed	

SMART-L-R-A-3.2-1X	-		-		-	DP	-	DE	-	
---------------------------	---	--	---	--	---	-----------	---	-----------	---	--

SMART-L-R-A-3.2-1X Smart Lotis Adjustable 3.2 (adjustable version) ⁽³⁾	27 2700K	F Flood (40°)	DP Damp Location	BLS Black Structure	
	30 3000K	M Medium (22°)			WHS White Structure
	35 3500K				GOMT Gold Matte

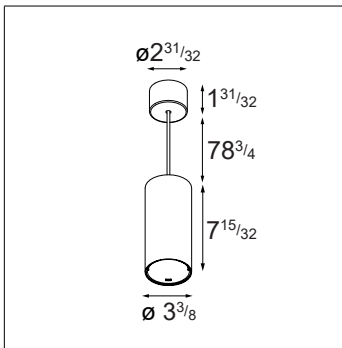
⁽¹⁾ Frosted Glass can only be combined with a Flood beam angle

⁽²⁾ Frosted Glass version: 38°

⁽³⁾ Adjustable version is always provided without a Glass

Tube Specifications

- Tube material: cast aluminum
- Tube finish: powder coat
- Canopy material: aluminum
- Canopy finish: powder coat (color matches the color of the tube)
- Cable finish: woven fabric
- Cable color: black
- Cable diameter: 0.3"
- Cable length is field adjustable
- Driver: included in the tube
- Suitable for 1 lamp unit
- Included: plaster finish plate for installation with a 4"x4" octagonal junction box
- Can optionally be combined with Backplate to cover the junction box
- Weight: 3.8lbs

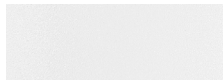


Tube Suspended 3.2 XL 1X

Finish Information



Black Structure (BLS)
Powder Coat (Matte)



White Structure (WHS)
Powder Coat (Matte)

Tube Specifications & Ordering Information

Ordering Code	Version	Finish	Input	Output	Dim ⁽⁴⁾	Connected Load
SMARU-SP-3.2-XL-1X-DP-LE/TE-DI-500-BLS	Tube Suspended 3.2 XL 1X	Black Structure	120VAC	500mA DC	ELV & Triac - 1%	10.5W
SMARU-SP-3.2-XL-1X-DP-LE/TE-DI-500-WHS	Tube Suspended 3.2 XL 1X	White Structure	120VAC	500mA DC	ELV & Triac - 1%	10.5W

⁽⁴⁾ Consult the factory for dimmer compatibility

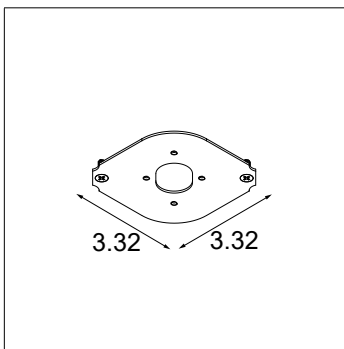
Accessories Specifications

Plaster Finish Plate

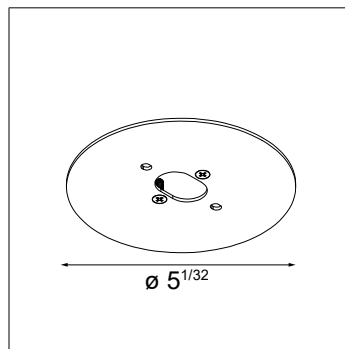
- Always included with the Tube
- An additional Plaster Plate can be ordered, to be delivered in advance

Backplate

- Optional
- Covers a 4"x4" octagonal or 3"x2" junction box
- Material: stainless steel
- Finish: powder coat
- Thickness: 0.08"
- Weight: 0.7lbs



Plaster Plate Tube Suspended 3.2 XL

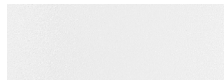


Backplate Tube Suspended 3.2 XL

Finish Information



Black Structure (BLS)
Powder Coat (Matte)



White Structure (WHS)
Powder Coat (Matte)

Ordering Information

PP	-	44	-	SMART-TSS-3.2-4.5
-----------	---	-----------	---	--------------------------

PP Plaster Finish Plate | **44** For 4"x4" octagonal junction box | **SMART-TSS-3.2-4.5** Tube Suspended 3.2 XL

BP-C	-		-	SMART-TSS-3.2-XL	-	
-------------	---	--	---	-------------------------	---	--

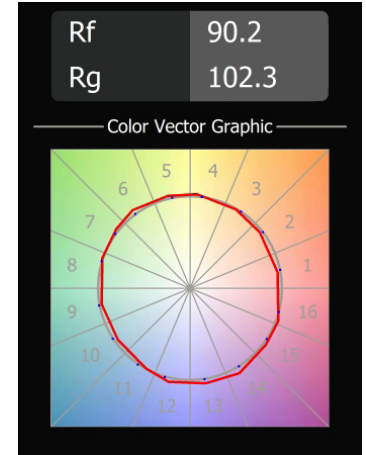
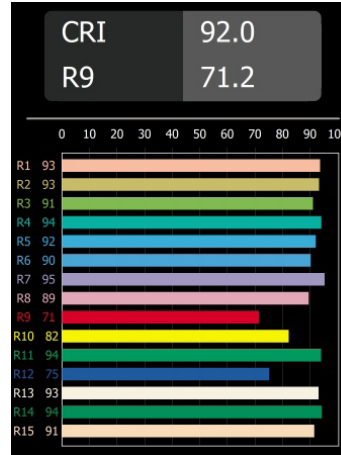
BP-C Backplate Cover | **44** For 4"x4" octagonal junction box | **SMART-TSS-3.2-XL** Tube Suspended 3.2 XL | **BLS** Black Structure
32 For 3"x2" junction box | **WHS** White Structure

Smart Lotis Tube Suspended 3.2

Performance Specifications (per lamp unit)

Lamp Unit	Fix	Adjustable
Weight	0.79lbs	0.89lbs
Adjustability	-	0-25°
Location	damp	damp
CRI*	92, R9: 71	92, R9: 71
Lifetime	L80 B20 @ 50,000 hrs	L80 B20 @ 50,000 hrs
UGR	see website	see website
Electrical (typical)		
Drive Current (mA DC)	500	500
Forward Voltage (V)	14.4	14.4
LED Power (W)	7.2	7.2

* CRI & TM-30 Value for 3000K



For photometric files see website or contact factory.

Output Specifications (per lamp unit)

Reference Delivered Lumens	CCT	Optics	Drive Current	Finish
Fix				
761 (ref. 3000K, MG F, 500mA WHS)	2700K (0.96) 3000K (1.00) 3500K (1.03)	MG F (1.00) MG M (1.04) MG S (1.04) FG F (0.88)	500mA (1.00)	BLS (0.91) WHS (1.00) GOMT (0.96) BLBR (0.94) BRBR (0.91) CHBR (0.95) SBBR (0.95)
Adjustable				
686 (ref. 3000K, F, 500mA, WHS)	2700K (0.95) 3000K (1.00) 3500K (1.03)	F (1.00) M (1.05)	500mA (1.00)	BLS (0.99) WHS (1.00) GOMT (1.04)

Multipliers are indicated between brackets: ()

Example calculation, to determine typical output for Fix version, 2700K, Microprismatic Glass, Medium, 500mA Black Structure: $761 \times (0.96) \times (1.04) \times (1.00) \times (0.91) = 691$ lumens

Listings and Certifications

- Listed: cULus
- Damp locations



Warranty

- Visit <https://www.supermodular.com/en-us/warranty/>