

Smart Kup Tube Surface 3.2

Overview

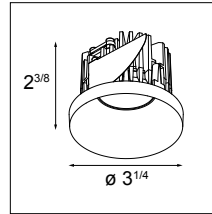


Try all three Smart designs, Kup, Lotis and Cake with the lovely shape of Smart Tube Surface. Combine a white or black structure cylinder, with designs in black and white structure, or gold finish.

With an outer diameter of 3.2" and an aperture of 3.1 inches (fixed version) or 2.3 inches (adjustable version), the Smart Kup 3.2 is compact yet powerful. Combined with a tube (cylinder) that is offered in 2 lengths and multiple finishes, the beautiful combinations are yours to discover.

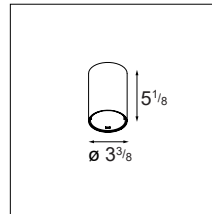
How to Specify (Example)

1. Select Lamp Module → Page 2



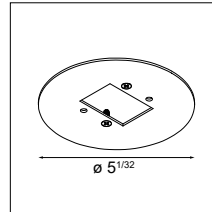
Example: **SMART-K-R-3.2-1X-30F-DP-DE-GOMT**
(Smart Kup Recessed 3.2 1x, 3000K, flood, damp rated, driver excluded, gold matte)

2. Select Tube Body & Driver → Page 3



Example: **SMARU-S-3.2-L-1X-DP-010P-DI-500-WHS**
(Smart Tube Surface 3.2 Large, 1 lamp, damp rated, 0-10V / ELV, driver included, 500mA, white structure)

3. Select Optional Accessories → Page 4



Example: **BP-C-44-SMART-ST-3.2-L-WHS**
(Backplate cover, 4x4 jbox, Smart Surface Tube 3.2, Large, white structure)

Example Order:

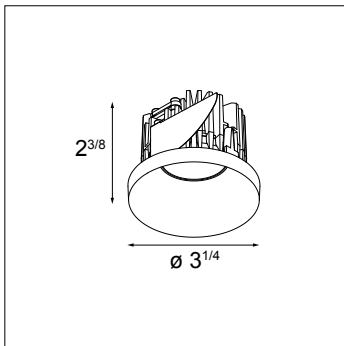
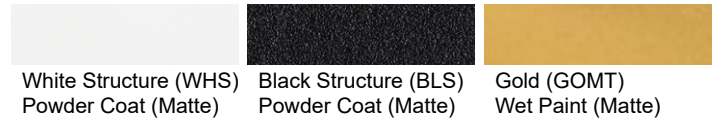
Qty.	Item
1	SMART-K-3.2-30K-FL-DP-GLD
1	SMART-ST-3.2-L-1L-DP-010P-500-WHS
1	BP-C-44-SMART-ST-3.2-L-WHS

Lamp Specifications & Ordering Information

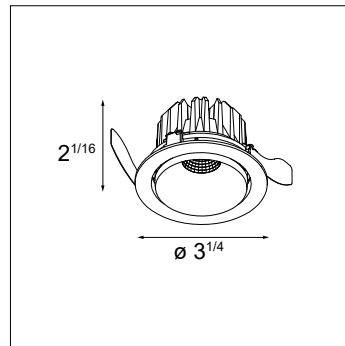
- Aperture: 3.1" (fixed version) / 2.3" (adjustable version)
- Adjustability: 0-25° (adjustable version only)
- Trim Material: Cast Aluminum
- Trim Finish: Powder Coat or Wet Paint*
- Must be combined with tube

* Wet Paint is only used for the gold finish

Lamp Module Finish Options



Smart Kup Recessed 3.2



Smart Kup Recessed Adjustable 3.2

Ordering Information

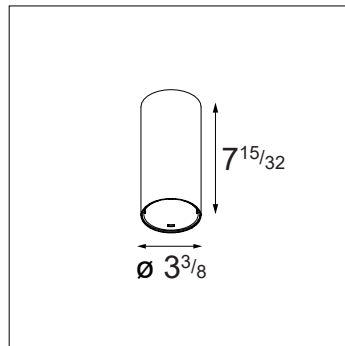
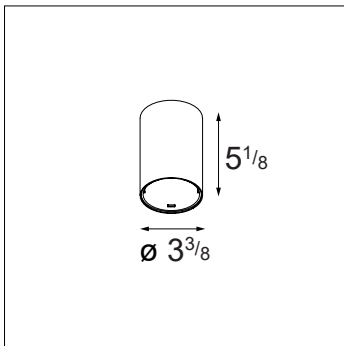
SMART-K-R-3.2-1X				DP		DE			
Smart Kup Recessed 3.2 1x	[blank] No Glass ⁽¹⁾	27 2700K	S Spot 17° ⁽¹⁾	DP Damp Location	DE Driver Excluded	WHS White Structure			
	MPG Microprismatic Glass ⁽²⁾	30 3000K	M Medium 22° ^{(1)/(2)}			BLS Black Structure			
	FRG Frosted Glass ⁽³⁾	35 3500K	F Flood 40° ^{(1)/38°⁽²⁾(3)}			GOMT Gold Matt			

SMART-K-R-A-3.2-1X				DP		DE			
Smart Kup Recessed Adjustable 3.2 1x	27 2700K	M Medium 22°	DP Damp Location	DE Driver Excluded	WHS White Structure				
	30 3000K	F Flood 40°			BLS Black Structure				
	35 3500K				GOMT Gold Matt				

Tube & Driver Specifications

- Tube Material: Cast Aluminum
- Driver: Included in tube
- Included with tube: Plaster finish plate for 4x4 octagonal junction box
- Weight: 1.8lbs (Large version) / 2.7lbs (X-Large version)

Tube Finish Options



Driver Specifications

DRIVER	OUTPUT CURRENT	INPUT VOLTAGE	DIMMING TYPE	TYPICAL DIMMING LEVEL**	CONNECTED LOAD (TYPICAL)
010P-500	500mA	120-277VAC, 120VAC*	0-10V, ELV & Triac	1%	10.5 W

* Dimming via ELV and Triac only compatible at 120VAC

** Consult the factory for dimmer compatibility

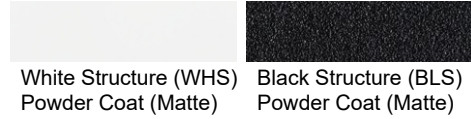
Box Ordering Information

	DP	010P	DI	500	WHS	BLS
SMARU-S-3.2-L-1X	Damp Rated	0-10V/ELV/Triac	Driver Included	500 500mA	White Structure	
SMARU-S-3.2-XL-1X						Black Structure

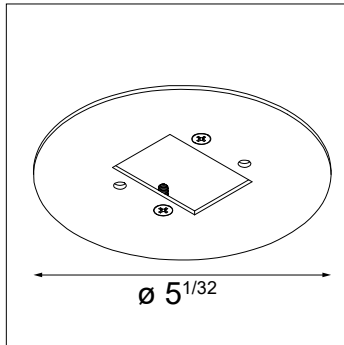
Accessories Specifications

- Accessories are optional (plaster plate comes standard*)
- Backplate / Cover Plate for covering a 4x4 octagonal electrical box or 3x2 electrical box
- Cover Plate Material: Stainless steel
- Cover Plate Finish: Powder Coat
- Plate Thickness: 0.08"
- Weight: 0.7lbs

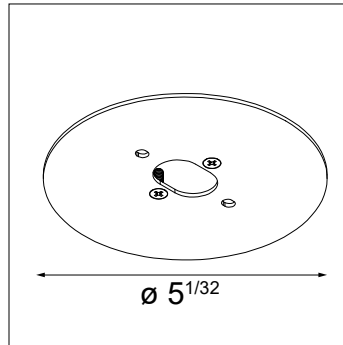
Plate Finish Options



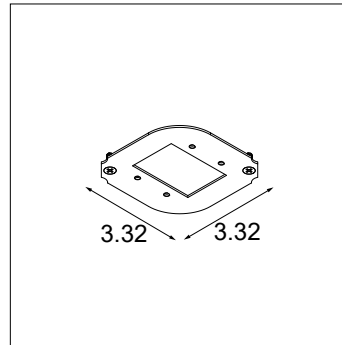
* An additional plaster plate can be ordered to be delivered in advance



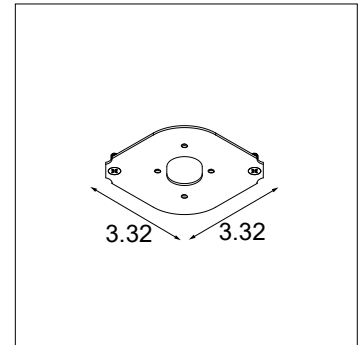
Backplate 4"x4"
Tube Surface 3.2 Large



Backplate 3"x2 1/4"x4"
Tube Surface 3.2 X-large



Plaster Finish Plate for 4x4 octagonal junction box
for Tube Surface 3.2 Large



Plaster Finish Plate for 4x4 octagonal junction box
for Tube Surface 3.2 X-Large

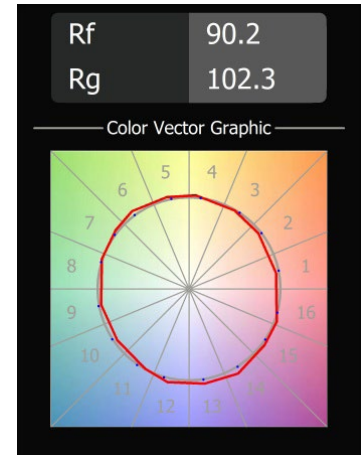
Accessory Ordering Information

BP-C	-		-	SMART-ST-3.2	-		-
Backplate Cover	44	4"x4" Junction Box		SMART-ST-3.2	Smart Tube Surface 3.2*	L	Tube Large*
	32	3"x2" Junction Box				XL	Tube X-large*
							WHS White Structure
							BLS Black Structure
PP	-	44	-	SMART-ST-3.2	-		
Plaster Finish Plate for 4x4 octagonal junction box						L	Tube Large
						XL	Tube X-large

* Size of backplate must match size of tube (page 3)

Performance Specifications (per lamp)

	Fixed	Adjustable
Weight	0.79lbs	0.89lbs
Adjustability	-	0-25°
Location	Damp	
CRI*	92, R9: 71	
Lifetime	L80 B20 @ 50,000 hrs	
UGR	see website	
Electrical (typical)	500mA	
Vf	14.4V	
Power	7.2W	



*CRI & TM-30 Value for 3000K

For photometric files see website or contact factory

Output Specifications

Reference: 3000K, 40deg (FL), 500mA, White
Values below are typical
() indicates multipliers

Fixed Lamp

Reference Delivered Lumens	CCT	Optics	Current	Finish
1112	2700K (0.96) 3000K (1.0) 3500K (1.04)	S (1.0) M (1.0) F (1.0) MPG M (0.98) MPG F (xxx) FRG F (xxx)	500mA (1.0)	WHS (1.0) GOMT (0.94) BLS (0.94)

Adjustable Lamp

Reference Delivered Lumens	CCT	Optics	Current	Finish
686	2700K (0.95) 3000K (1.0) 3500K (1.03)	M (1.05) F (1.0)	500mA (1.0)	WHS (1.0) GOMT (1.04) BLS (0.99)

Example Calculation

To determine typical output for 2700K, Medium optic, 350mA in Gold:
 $686 \times 0.95 \times 1.05 \times 1.0 \times 1.04 = 712$ lumen

Listings and Certifications

- Damp location listed
- cUL & UL listed

Warranty

Visit <https://www.supermodular.com/warranty>