

Smart Kup Tube Surface 3.2

Overview

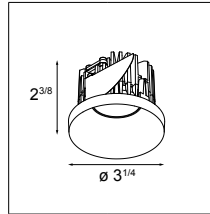


Try all three Smart designs, Kup, Lotis and Cake with the lovely shape of Smart Tube Surface. Combine a white or black structure cylinder, with lamp unit designs in white or black structure, gold and several brushed finishes.

With an outer diameter of 3.2" and an aperture of 3.1 inches (fixed version) or 2.3 inches (adjustable version), the Smart Kup 3.2 is compact yet powerful. Combined with a tube (cylinder) that is offered in 2 lengths and multiple finishes, the beautiful combinations are yours to discover.

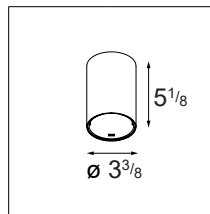
How to Specify (example)

1. Select Lamp Unit → Page 2



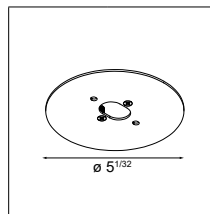
Example: **SMART-K-R-3.2-1X-MG-30F-DP-DE-GOMT**
Smart Kup 3.2, fix version, microprismatic glass, 3000K, flood, damp rated, gold matte

2. Select Tube → Page 3



Example: **SMARU-S-3.2-L-1X-DP-010P-DI-500-WHS**
Tube Surface 3.2 L, damp rated, 0-10V, ELV & Triac driver included, 500mA, white structure

3. Select Optional Accessories → Page 4



Example: **BP-C-44-SMART-ST-3.2-L-WHS**
Backplate Cover, for 4"x4" octagonal junction box, Tube Surface 3.2 L, white structure

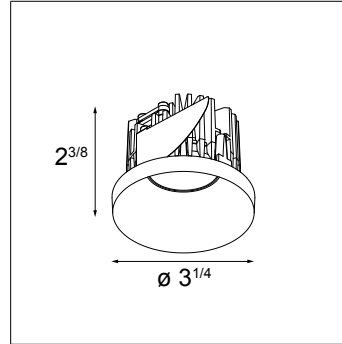
Example order:

Quantity	Item
1	SMART-K-R-3.2-1X-MG-30F-DP-DE-GOMT
1	SMARU-S-3.2-L-1X-DP-010P-DI-500-WHS
1	BP-C-44-SMART-ST-3.2-L-WHS

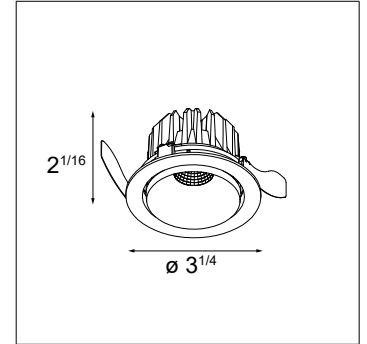
Smart Kup Tube Surface 3.2

Lamp Specifications

- Aperture: 3.1" (fix version), 2.3" (adjustable version)
- Adjustability: 0-25° (adjustable version only)
- Trim material: cast aluminum
- Trim finish: powder coat or wet paint
- Must be combined with Tube



Smart Kup 3.2 (fix version)

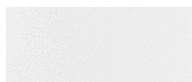


Smart Kup Adjustable 3.2 (adjustable version)

Finish Information



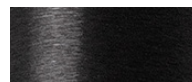
Black Structure (BLS)
Powder Coat (Matte)



White Structure (WHS)
Powder Coat (Matte)



Gold (GOMT)
Wet Paint (Matte)



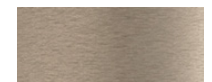
Black (BLBR)
Wet Paint (Brushed)



Bronze (BRBR)
Wet Paint (Brushed)



Champagne (CHBR)
Wet Paint (Brushed)



Silver Bronze (SBBR)
Wet Paint (Brushed)

Ordering Information

SMART-K-R-3.2-1X	-		-		-	DP	-	DE	-	
-------------------------	---	--	---	--	---	-----------	---	-----------	---	--

SMART-K-R-3.2-1X Smart Kup 3.2 (fix version)	MG Microprismatic Glass	27 2700K	F Flood (41°) ⁽²⁾	DP Damp Location	BLS Black Structure	
	FG Frosted Glass ⁽¹⁾	30 3000K	M Medium (23°)			WHS White Structure
		35 3500K	S Spot (17°)			GOMT Gold Matte
					BLBR Black Brushed	
					BRBR Bronze Brushed	
					CHBR Champagne Brushed	
					SBBR Silver Bronze Brushed	

SMART-K-R-A-3.2-1X	-		-		-	DP	-	DE	-	
---------------------------	---	--	---	--	---	-----------	---	-----------	---	--

SMART-K-R-A-3.2-1X Smart Kup Adjustable 3.2 (adjustable version) ⁽³⁾	27 2700K	F Flood (40°)	DP Damp Location	BLS Black Structure	
	30 3000K	M Medium (22°)			WHS White Structure
	35 3500K				GOMT Gold Matte

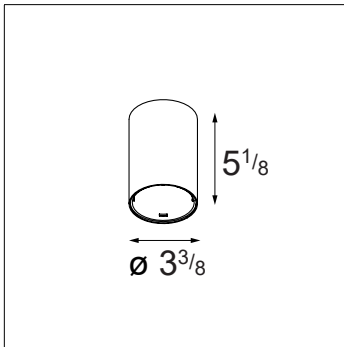
⁽¹⁾ Frosted Glass can only be combined with a Flood beam angle

⁽²⁾ Frosted Glass version: 38°

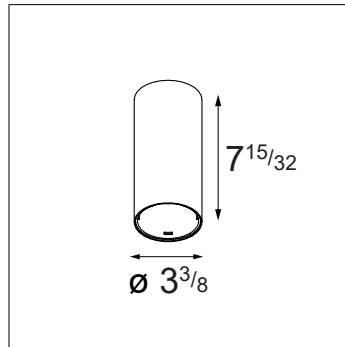
⁽³⁾ Adjustable version is always provided without a Glass

Tube Specifications

- Tube material: cast aluminum
- Tube finish: powder coat
- Driver: included in the tube
- Suitable for 1 lamp unit
- Included: plaster finish plate for installation with a 4"x4" octagonal junction box
- Can optionally be combined with Backplate to cover the junction box
- Weight: 1.8lbs (L versions), 2.7lbs (XL versions)



Tube Surface 3.2 L 1X

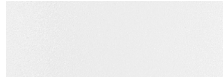


Tube Surface 3.2 XL 1X

Finish Information



Black Structure (BLS)
Powder Coat (Matte)



White Structure (WHS)
Powder Coat (Matte)

Tube Specifications & Ordering Information

Ordering Code	Version	Finish	Input	Output	Dim ⁽⁵⁾	Connected Load
SMARU-S-3.2-L-1X-DP-010P-DI-500-BLS	Tube Surface 3.2 L 1X	Black Structure	120-277VAC ⁽⁴⁾	500mA DC	0-10V, ELV & Triac - 1%	10.5W
SMARU-S-3.2-L-1X-DP-010P-DI-500-WHS	Tube Surface 3.2 L 1X	White Structure	120-277VAC ⁽⁴⁾	500mA DC	0-10V, ELV & Triac - 1%	10.5W
SMARU-S-3.2-XL-1X-DP-010P-DI-500-BLS	Tube Surface 3.2 XL 1X	Black Structure	120-277VAC ⁽⁴⁾	500mA DC	0-10V, ELV & Triac - 1%	10.5W
SMARU-S-3.2-XL-1X-DP-010P-DI-500-WHS	Tube Surface 3.2 XL 1X	White Structure	120-277VAC ⁽⁴⁾	500mA DC	0-10V, ELV & Triac - 1%	10.5W

⁽⁴⁾ Dimming via ELV & Triac only compatible at 120VAC input

⁽⁵⁾ Consult the factory for dimmer compatibility

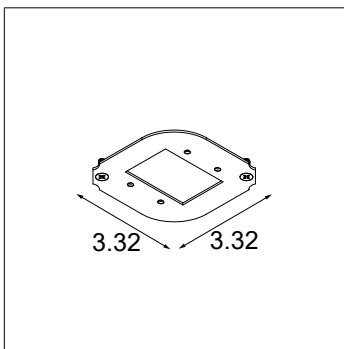
Accessories Specifications

Plaster Finish Plate

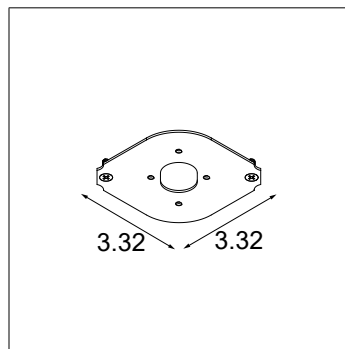
- Always included with the Tube
- An additional Plaster Plate can be ordered, to be delivered in advance

Backplate

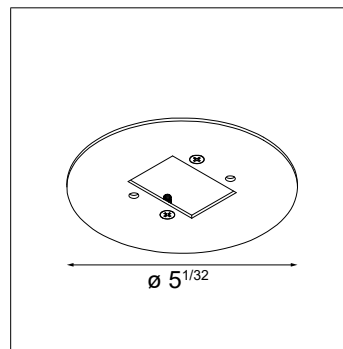
- Optional
- Covers a 4"x4" octagonal or 3"x2" junction box
- Material: stainless steel
- Finish: powder coat
- Thickness: 0.08"
- Weight: 0.7lbs



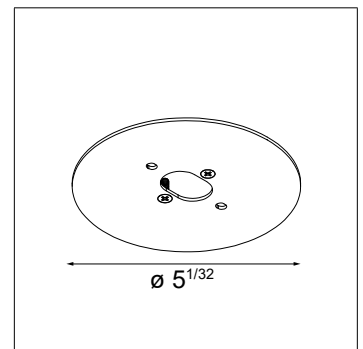
Plaster Plate Tube Surface 3.2 L



Plaster Plate Tube Surface 3.2 XL



Backplate Tube Surface 3.2 L

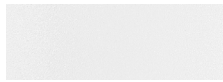


Backplate Tube Surface 3.2 XL

Finish Information



Black Structure (BLS)
Powder Coat (Matte)



White Structure (WHS)
Powder Coat (Matte)

Ordering Information

PP	-	44	-	
-----------	---	-----------	---	--

PP	Plaster Finish Plate	44	For 4"x4" octagonal junction box	SMART-ST-3.2-L	Tube Surface 3.2 L ⁽⁶⁾
				SMART-ST-3.2-XL	Tube Surface 3.2 XL ⁽⁶⁾

BP-C	-		-		-	
-------------	---	--	---	--	---	--

BP-C	Backplate Cover	44	For 4"x4" octagonal junction box	SMART-ST-3.2-L	Tube Surface 3.2 L ⁽⁶⁾	BLS	Black Structure
		32	For 3"x2" junction box ⁽⁷⁾	SMART-ST-3.2-XL	Tube Surface 3.2 XL ⁽⁶⁾	WHS	White Structure

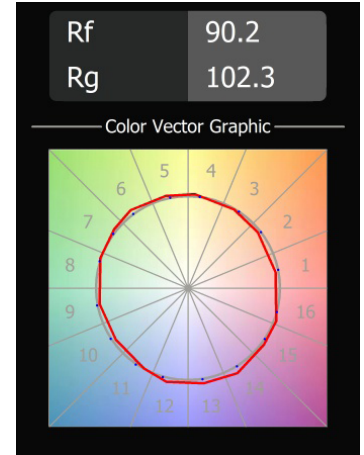
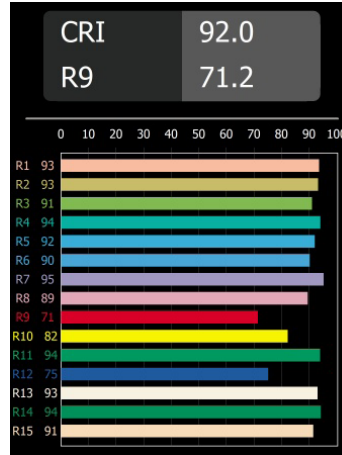
⁽⁶⁾ Size must match Tube size (page 3)

⁽⁷⁾ Version for 3"x2" junction box can only be combined with Tube Surface 3.2 XL

Performance Specifications (per lamp unit)

Lamp Unit	Fix	Adjustable
Weight	0.79lbs	0.89lbs
Adjustability	-	0-25°
Location	damp	damp
CRI*	92, R9: 71	92, R9: 71
Lifetime	L80 B20 @ 50,000 hrs	L80 B20 @ 50,000 hrs
UGR	see website	see website
Electrical (typical)		
Drive Current (mA DC)	500	500
Forward Voltage (V)	14.4	14.4
LED Power (W)	7.2	7.2

* CRI & TM-30 Value for 3000K



For photometric files see website or contact factory.

Output Specifications (per lamp unit)

Reference Delivered Lumens	CCT	Optics	Drive Current	Finish
Fix				
767 (ref. 3000K, MG F, 500mA WHS)	2700K (0.96) 3000K (1.00) 3500K (1.03)	MG F (1.00) MG M (1.05) MG S (1.04) FG F (0.88)	500mA (1.00)	BLS (0.90) WHS (1.00) GOMT (0.94) BLBR (0.89) BRBR (0.90) CHBR (0.94) SBBR (0.95)
Adjustable				
686 (ref. 3000K, F, 500mA, WHS)	2700K (0.95) 3000K (1.00) 3500K (1.03)	F (1.00) M (1.05)	500mA (1.00)	BLS (0.99) WHS (1.00) GOMT (1.04)

Multipliers are indicated between brackets: ()

Example calculation, to determine typical output for Fix version, 2700K, Microprismatic Glass, Medium, 500mA Black Structure: $767 \times (0.96) \times (1.05) \times (1.00) \times (0.90) = 695$ lumens

Listings and Certifications

- Listed: cULus
- Damp locations



Warranty

- Visit <https://www.supermodular.com/en-us/warranty/>