

## Smart Lotis Box Surface 3.2

### Overview

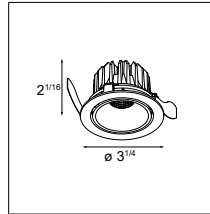


Smart Lotis is the best known fixture within the Smart family. The deeply recessed cone which holds the light source inspired the designers to create a very versatile spot to be combined with multiple accessories.

With an outer diameter of 3.2" and an aperture of 2.7 inches (fixed version) or 2 inches (adjustable version), the Smart Lotis 3.2 is compact yet powerful. Combined with a surface box that is offered in 1X and 2X and multiple finishes, the beautiful combinations are yours to discover.

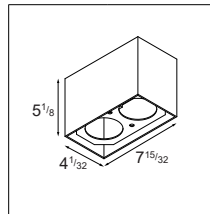
### How to Specify (example)

#### 1. Select Lamp Unit → Page 2



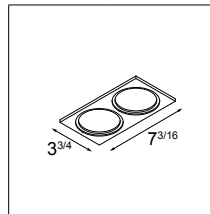
Example: **SMART-L-R-A-3.2-1X-30F-DP-DE-WHS**  
Smart Lotis 3.2, adjustable version, 3000K, flood, damp rated, white structure

#### 2. Select Box → Page 3



Example: **SMARX-S-3.2-2X-010P-DI-500-BLS**  
Box Surface 3.2, 2 lamp version, 0-10V, ELV & Triac driver included, 500mA, black structure

#### 3. Select Mask → Page 4



Example: **SMART-M-3.2-2X-WHS**  
Mask 3.2, 2 lamp version, white structure

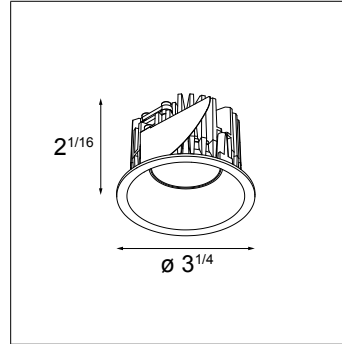
Example order:

Quantity	Item
2	<b>SMART-L-R-A-3.2-1X-30F-DP-DE-WHS</b>
1	<b>SMARX-S-3.2-2X-010P-DI-500-BLS</b>
1	<b>SMART-M-3.2-2X-WHS</b>

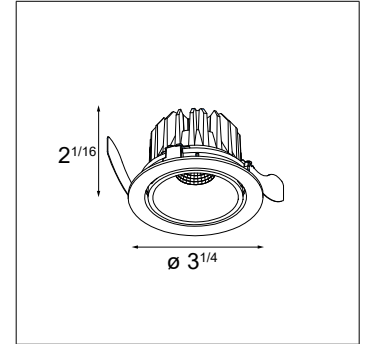
## Smart Lotis Box Surface 3.2

### Lamp Specifications

- Aperture: 2.7" (fix version), 2" (adjustable version)
- Adjustability: 0-25° (adjustable version only)
- Trim material: cast aluminum
- Trim finish: powder coat or wet paint
- Must be combined with Box and Mask



Smart Lotis 3.2 (fix version)

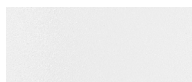


Smart Lotis Adjustable 3.2 (adjustable version)

### Finish Information



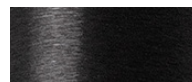
Black Structure (BLS)  
Powder Coat (Matte)



White Structure (WHS)  
Powder Coat (Matte)



Gold (GOMT)  
Wet Paint (Matte)



Black (BLBR)  
Wet Paint (Brushed)



Bronze (BRBR)  
Wet Paint (Brushed)



Champagne (CHBR)  
Wet Paint (Brushed)



Silver Bronze (SBBR)  
Wet Paint (Brushed)

### Ordering Information

<b>SMART-L-R-3.2-1X</b>	-		-		-	<b>DP</b>	-	<b>DE</b>	-	
-------------------------	---	--	---	--	---	-----------	---	-----------	---	--

<b>SMART-L-R-3.2-1X</b> Smart Lotis 3.2 (fix version)	<b>MG</b> Microprismatic Glass	<b>27</b> 2700K	<b>F</b> Flood (41°) <sup>(2)</sup>	<b>DP</b> Damp Location	<b>BLS</b> Black Structure	
	<b>FG</b> Frosted Glass <sup>(1)</sup>	<b>30</b> 3000K	<b>M</b> Medium (23°)			<b>WHS</b> White Structure
		<b>35</b> 3500K	<b>S</b> Spot (17°)			<b>GOMT</b> Gold Matte
					<b>BLBR</b> Black Brushed	
					<b>BRBR</b> Bronze Brushed	
					<b>CHBR</b> Champagne Brushed	
					<b>SBBR</b> Silver Bronze Brushed	

<b>SMART-L-R-A-3.2-1X</b>	-		-		-	<b>DP</b>	-	<b>DE</b>	-	
---------------------------	---	--	---	--	---	-----------	---	-----------	---	--

<b>SMART-L-R-A-3.2-1X</b> Smart Lotis Adjustable 3.2 (adjustable version) <sup>(3)</sup>	<b>27</b> 2700K	<b>F</b> Flood (40°)	<b>DP</b> Damp Location	<b>BLS</b> Black Structure	
	<b>30</b> 3000K	<b>M</b> Medium (22°)			<b>WHS</b> White Structure
	<b>35</b> 3500K				<b>GOMT</b> Gold Matte

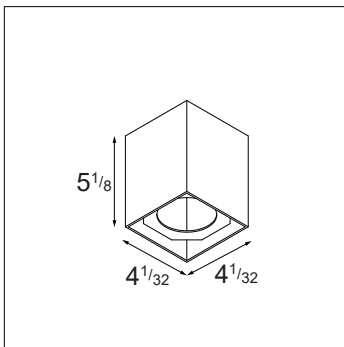
<sup>(1)</sup> Frosted Glass can only be combined with a Flood beam angle

<sup>(2)</sup> Frosted Glass version: 38°

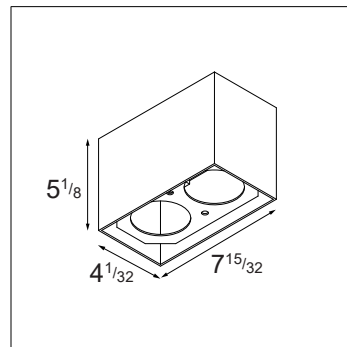
<sup>(3)</sup> Adjustable version is always provided without a Glass

### Box Specifications

- Box material: extruded aluminum
- Box finish: powder coat
- Driver: included in the box
- Suitable for 1 lamp unit (1X versions) or 2 lamp units (2X versions)
- Box completely covers a 4"x4" octagonal junction box (no covers completely covers a 4"x4" octagonal junction box (no covers needed)
- Must be combined with Mask (specify on the next page)
- Weight: 1.7lbs (1X versions), 2.4lbs (2X versions)



Box Surface 3.2 1X

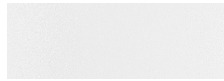


Box Surface 3.2 2X

### Finish Information



Black Structure (BLS)  
Powder Coat (Matte)



White Structure (WHS)  
Powder Coat (Matte)

### Box Specifications & Ordering Information

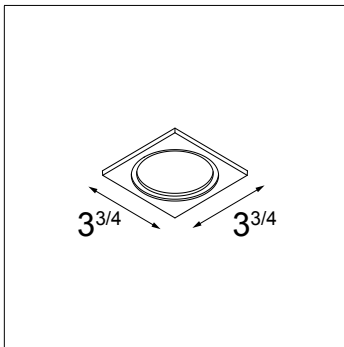
Ordering Code	Version	Finish	Input	Output	Dim <sup>(5)</sup>	Connected Load
SMARX-S-3.2-1X-010P-DI-500-BLS	Box Surface 3.2 1X	Black Structure	120-277VAC <sup>(4)</sup>	500mA DC	0-10V, ELV & Triac - 1%	10.5W
SMARX-S-3.2-1X-010P-DI-500-WHS	Box Surface 3.2 1X	White Structure	120-277VAC <sup>(4)</sup>	500mA DC	0-10V, ELV & Triac - 1%	10.5W
SMARX-S-3.2-2X-010P-DI-500-BLS	Box Surface 3.2 2X	Black Structure	120-277VAC <sup>(4)</sup>	500mA DC	0-10V, ELV & Triac - 1%	21.5W
SMARX-S-3.2-2X-010P-DI-500-WHS	Box Surface 3.2 2X	White Structure	120-277VAC <sup>(4)</sup>	500mA DC	0-10V, ELV & Triac - 1%	21.5W

<sup>(4)</sup> Dimming via ELV & Triac only compatible at 120VAC input

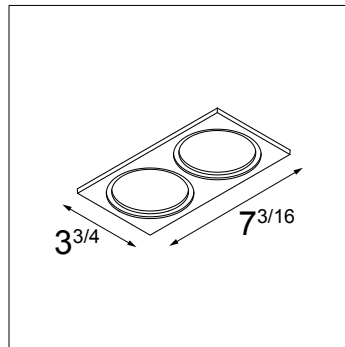
<sup>(5)</sup> Consult the factory for dimmer compatibility

**Mask Specifications**

- Mask material: cast aluminum
- Mask finish: powder coat or wet paint
- Mask thickness: 0.2"
- Weight: 0.2lbs (1X version), 0.3lbs (2X version)



Mask 3.2 1X

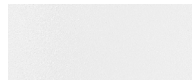


Mask 3.2 2X

**Finish Information**



Black Structure (BLS)  
Powder Coat (Matte)



White Structure (WHS)  
Powder Coat (Matte)



Gold (GOMT)  
Wet Paint (Matte)



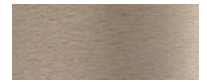
Black (BLBR)  
Wet Paint (Brushed)



Bronze (BRBR)  
Wet Paint (Brushed)



Champagne (CHBR)  
Wet Paint (Brushed)



Silver Bronze (SBBR)  
Wet Paint (Brushed)

**Ordering Information**

**SMART-M-3.2** -  -

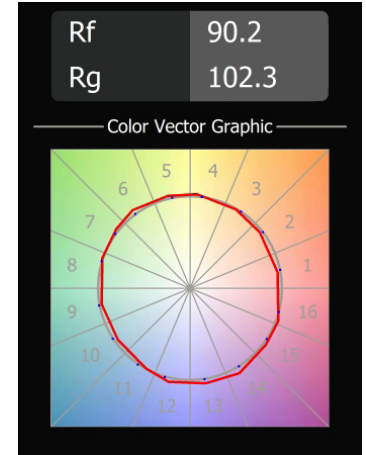
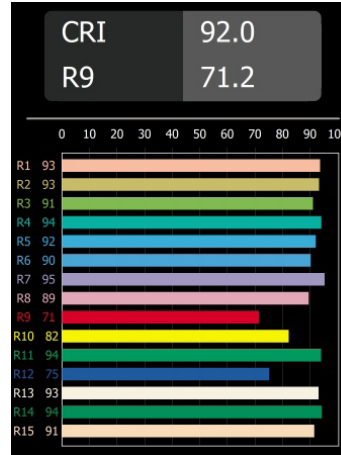
<b>SMART-M-3.2</b> Mask 3.2	<b>1X</b> For 1 lamp unit <sup>(6)</sup>	<b>BLS</b> Black Structure
	<b>2X</b> For 2 lamp units <sup>(6)</sup>	<b>WHS</b> White Structure
		<b>GOMT</b> Gold Matte
		<b>BLBR</b> Black Brushed
		<b>BRBR</b> Bronze Brushed
		<b>CHBR</b> Champagne Brushed
		<b>SBBR</b> Silver Bronze Brushed

<sup>(6)</sup> Size must match Box size (page 3)

### Performance Specifications (per lamp unit)

Lamp Unit	Fix	Adjustable
Weight	0.79lbs	0.89lbs
Adjustability	-	0-25°
Location	damp	damp
CRI*	92, R9: 71	92, R9: 71
Lifetime	L80 B20 @ 50,000 hrs	L80 B20 @ 50,000 hrs
UGR	see website	see website
<hr/>		
Electrical (typical)	Fix	Adjustable
Drive Current (mA DC)	500	500
Forward Voltage (V)	14.4	14.4
LED Power (W)	7.2	7.2

\* CRI & TM-30 Value for 3000K



For photometric files see website or contact factory.

### Output Specifications (per lamp unit)

Reference Delivered Lumens	CCT	Optics	Drive Current	Finish
<b>Fix</b>				
761 (ref. 3000K, MG F, 500mA WHS)	2700K (0.96) 3000K (1.00) 3500K (1.03)	MG F (1.00) MG M (1.04) MG S (1.04) FG F (0.88)	500mA (1.00)	BLS (0.91) WHS (1.00) GOMT (0.96) BLBR (0.94) BRBR (0.91) CHBR (0.95) SBBR (0.95)
<b>Adjustable</b>				
686 (ref. 3000K, F, 500mA, WHS)	2700K (0.95) 3000K (1.00) 3500K (1.03)	F (1.00) M (1.05)	500mA (1.00)	BLS (0.99) WHS (1.00) GOMT (1.04)

Multipliers are indicated between brackets: ( )

Example calculation, to determine typical output for Fix version, 2700K, Microprismatic Glass, Medium, 500mA Black Structure:  $761 \times (0.96) \times (1.04) \times (1.00) \times (0.91) = 691$  lumens

### Listings and Certifications

- Listed: cULus
- Damp locations



### Warranty

- Visit <https://www.supermodular.com/en-us/warranty/>