

Smart Kup Box Surface 3.2

Overview

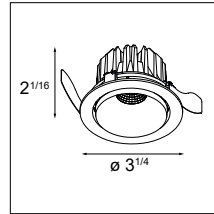


If recessed ceiling spotlights are not an option, Smart Box Surface is the solution. Square or rectangular, mounted on the ceiling, holding one or two spotlights. A larger version is compatible for Smart 115 directional spotlights. Add warm dim and create just the right mood.

With an outer diameter of 3.2" and an aperture of 3.1 inches (fixed version) or 2.3 inches (adjustable version), the Smart Kup 3.2 is compact yet powerful. Combined with a surface box that is offered in 1X and 2X and multiple finishes, the beautiful combinations are yours to discover.

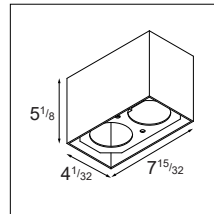
How to Specify (Example)

1. Select Lamp Module → Page 2



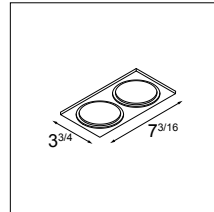
Example: **SMART-K-R-A-3.2-1X-30F-DP-DE-BLS**
(Smart Kup Recessed Adjustable 3.2 1x, 3000K, flood, damp rated, driver excluded, black structure)

2. Select Box/Driver → Page 3



Example: **SMARX-S-3.2-2X-010P-DI-500-BLS**
(Smart Box Surface 3.2, 2 lamp, 0-10V / ELV, driver included, 500mA, black structure)

3. Select Mask → Page 4



Example: **SMART-M-3.2-2X-BLS**
(Smart Mask 3.2, 2 lamp, black structure)

Example Order:

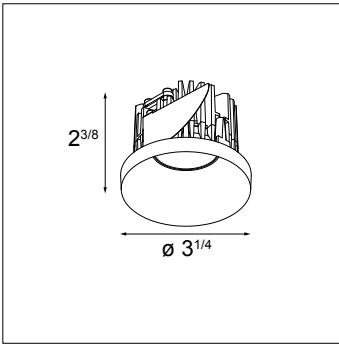
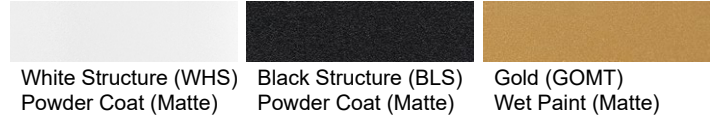
Qty.	Item
2	SMART-K-R-A-3.2-1X-30F-DP-DE-BLS
1	SMARX-S-3.2-2X-010P-DI-500-BLS
1	SMART-M-3.2-2X-BLS

Lamp Specifications & Ordering Information

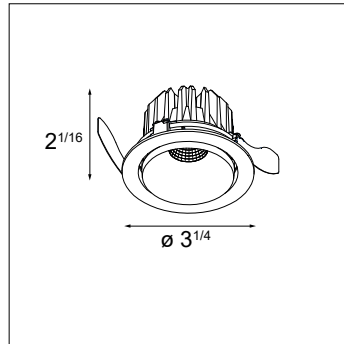
- Aperture: 3.1" (fixed version) / 2.3" (adjustable version)
- Adjustability: 0-25° (adjustable version only)
- Trim Material: Cast Aluminum
- Trim Finish: Powder Coat or Wet Paint*
- Must be combined with box & mask

* Wet Paint is only used for the gold finish

Lamp Module Finish Options



Smart Kup Recessed 3.2



Smart Kup Recessed Adjustable 3.2

Ordering Information

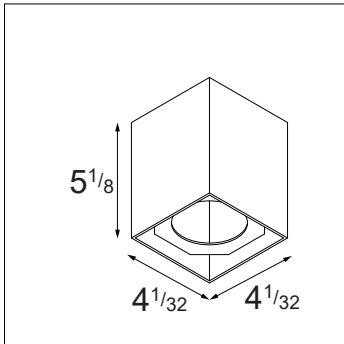
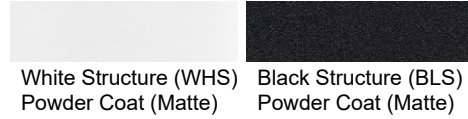
SMART-K-R-3.2-1X				DP		DE	
Smart Kup Recessed 3.2 1x	[blank] No Glass ⁽¹⁾	27 2700K	S Spot 17° ⁽¹⁾	DP Damp Location	DE Driver Excluded	WHS White Structure	
	MPG Microprismatic Glass ⁽²⁾	30 3000K	M Medium 22° ^{(1)/(2)}			BLS Black Structure	
	FRG Frosted Glass ⁽³⁾	35 3500K	F Flood 40° ^{(1)/38°⁽²⁾(3)}			GOMT Gold Matt	

SMART-K-R-A-3.2-1X				DP		DE	
Smart Kup Recessed Adjustable 3.2 1x	27 2700K	M Medium 22°	DP Damp Location	DE Driver Excluded	WHS White Structure		
	30 3000K	F Flood 40°			BLS Black Structure		
	35 3500K				GOMT Gold Matt		

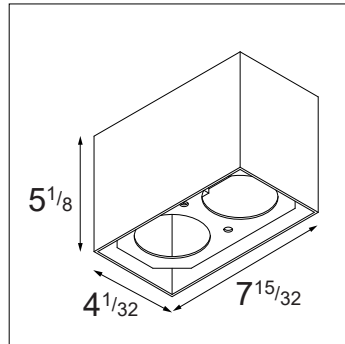
Box & Driver Specifications

- Box Material: Extruded Aluminum
- Driver: Included in box
- Box completely covers 4x4 octagonal junction boxes (no covers needed)
- Weight: 1.7lbs (1X version) / 2.4lbs (2X version)

Box Finish Options



Smart Box Surface 3.2 1X



Smart Box Surface 3.2 2X

Driver Specifications

DRIVER	OUTPUT CURRENT	INPUT VOLTAGE	DIMMING TYPE	TYPICAL DIMMING LEVEL**	CONNECTED LOAD (TYPICAL)	
					1X	2X
010P-500	500mA	120-277VAC, 120VAC*	0-10V, ELV & Triac	1%	10.5 W	21.5 W

* Dimming via ELV and Triac only compatible at 120VAC

** Consult the factory for dimmer compatibility

Box Ordering Information

- **010P** - **DI** - **500** -

SMARX-S-3.2-1X Smart Box Surface 3.2, 1 lamp

SMARX-S-3.2-2X Smart Box Surface 3.2, 2 lamp

010P 0-10V/ELV/Triac

DI Driver Included

500 500mA

WHS White Structure

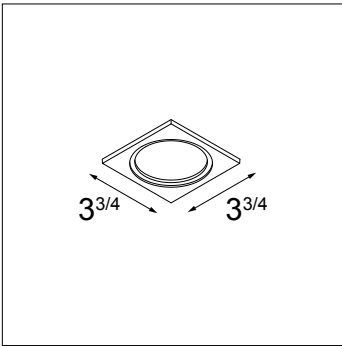
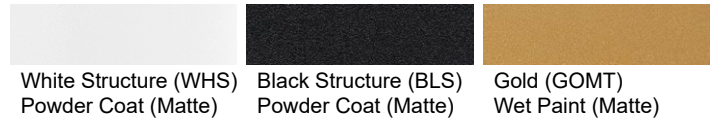
BLS Black Structure

Mask Specifications

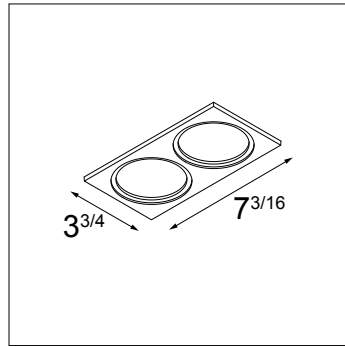
- Mask Material: Cast Aluminum
- Mask Finish: Powder Coat or Wet Paint*
- Mask Thickness: 0.2"
- Weight: 0.2lbs (1X version) / 0.3lbs (2X version)

* Wet Paint is only used for the gold finish

Mask Finish Options



Single Mask



Double Mask

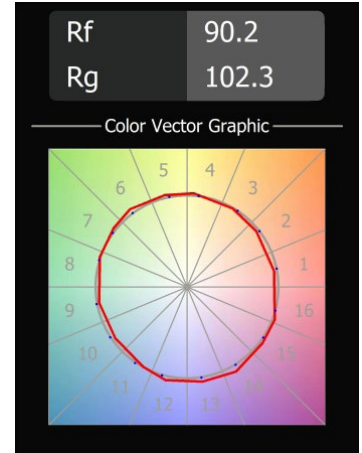
Mask Ordering Information

SMART-M-3.2 -

1X	Single Luminaire	WHS	White Structure
2X	Double Luminaire	BLS	Black Structure
		GOMT	Gold

Performance Specifications (per lamp)

	Fixed	Adjustable
Weight	0.79lbs	0.89lbs
Adjustability	-	0-25°
Location	Damp	
CRI*	92, R9: 71	
Lifetime	L80 B20 @ 50,000 hrs	
UGR	see website	
Electrical (typical)		
	500mA	
Vf	14.4V	
Power	7.2W	



*CRI & TM-30 Value for 3000K

For photometric files see website or contact factory

Output Specifications

Reference: 3000K, 40deg (FL), 500mA, White
Values below are typical
() indicates multipliers

Fixed Lamp

Reference Delivered Lumens	CCT	Optics	Current	Finish
861	2700K (0.96) 3000K (1.0) 3500K (1.04)	S (1.0) M (1.0) F (1.0) MPG M (0.98) MPG F (0.89) FRG F (0.84)	500mA (1.0)	WHS (1.0) GOMT (0.94) BLS (0.94)

Adjustable Lamp

Reference Delivered Lumens	CCT	Optics	Current	Finish
686	2700K (0.95) 3000K (1.0) 3500K (1.03)	M (1.05) F (1.0)	500mA (1.0)	WHS (1.0) GOMT (1.04) BLS (0.99)

Example Calculation

To determine typical output for 2700K, Medium optic, 500mA in Gold:
686 x 0.95 x 1.05 x 1.0 x 1.04 = 712 lumen

Listings and Certifications

- Damp location listed
- cUL & UL listed

Warranty

Visit <https://www.supermodular.com/warranty>