

## Smart Kup Tube Wall 3.2

### Overview

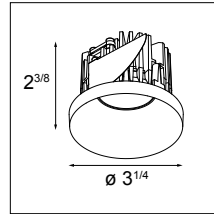


Smart Kup is one of the 3 forms of the Smart family. The cone of the Smart Kup ends in a fine trim. A trim particular Modular. The same subtle trim is used in several other Modular luminaires

With an outer diameter of 3.2" and an aperture of 3.1 inches (fixed version) or 2.3 inches (adjustable version), the Smart Kup 3.2 is compact yet powerful. Combined with a wall tube (cylinder) that is offered in 1X and 2X, and multiple finishes, the beautiful combinations are yours to discover.

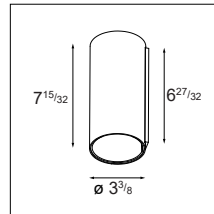
### How to Specify (Example)

#### 1. Select Lamp Module → Page 2



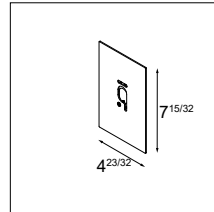
Example: **SMART-K-R-3.2-1X-30F-DP-DE-WHS**  
(Smart Kup Recessed 3.2 1x, 3000K, flood, damp rated, driver excluded, white struc)

#### 2. Select Tube Body & Driver → Page 3



Example: **SMARU-W-3.2-XL-1X-DP-010P-DI-500-BLS**  
(Smart Tube Wall 3.2 X-Large, 1 lamp, damp rated, 0-10V/ELV, driver included, 500mA, black structure)

#### 3. Select Optional Accessories → Page 4



Example: **BP-C-44-SMART-TW-3.2-XL-WHS**  
(Backplate cover, 4x4 jbox, Smart Surface Tube 3.2, X-Large, white structure)

#### Example Order:

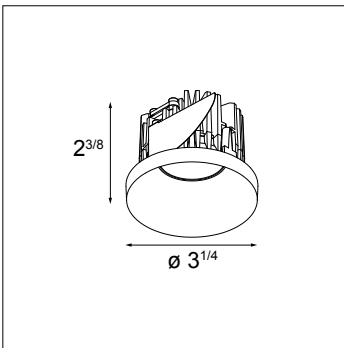
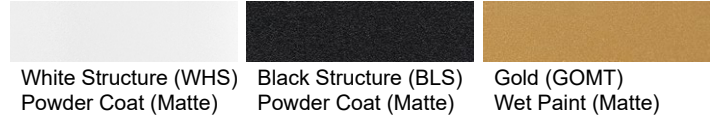
Qty.	Item
1	SMART-K-R-3.2-1X-30F-DP-DE-WHS
1	SMARU-W-3.2-XL-1X-DP-010P-DI-500-BLS
1	BP-C-44-SMART-TW-3.2-XL-WHS

### Lamp Specifications & Ordering Information

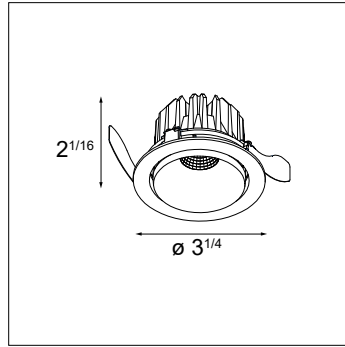
- Aperture: 3.1" (fixed version) / 2.3" (adjustable version)
- Adjustability: 0-25° (adjustable version only)
- Trim Material: Cast Aluminum
- Trim Finish: Powder Coat or Wet Paint\*
- Must be combined with tube

\* Wet Paint is only used for the gold finish

### Lamp Module Finish Options



Smart Kup Recessed 3.2



Smart Kup Recessed Adjustable 3.2

### Ordering Information

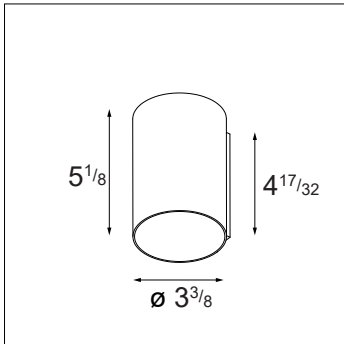
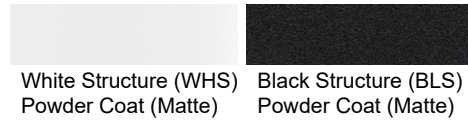
SMART-K-R-3.2-1X				DP		DE	
Smart Kup Recessed 3.2 1x	<b>[blank]</b> No Glass <sup>(1)</sup>	<b>27</b> 2700K	<b>S</b> Spot 17° <sup>(1)</sup>	<b>DP</b> Damp Location	<b>DE</b> Driver Excluded	<b>WHS</b> White Structure	
	<b>MPG</b> Microprismatic Glass <sup>(2)</sup>	<b>30</b> 3000K	<b>M</b> Medium 22° <sup>(1)/(2)</sup>			<b>BLS</b> Black Structure	
	<b>FRG</b> Frosted Glass <sup>(3)</sup>	<b>35</b> 3500K	<b>F</b> Flood 40° <sup>(1)/38°<sup>(2)</sup>(3)</sup>			<b>GOMT</b> Gold Matt	

SMART-K-R-A-3.2-1X				DP		DE	
Smart Kup Recessed Adjustable 3.2 1x	<b>27</b> 2700K	<b>M</b> Medium 22°	<b>DP</b> Damp Location	<b>DE</b> Driver Excluded	<b>WHS</b> White Structure		
	<b>30</b> 3000K	<b>F</b> Flood 40°			<b>BLS</b> Black Structure		
	<b>35</b> 3500K				<b>GOMT</b> Gold Matt		

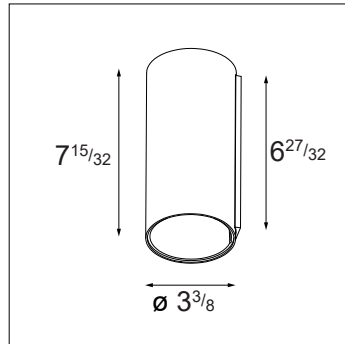
### Tube & Driver Specifications

- Tube Material: Cast Aluminum
- Driver: Included in tube
- Included with tube: Plaster finish plate for 4x4 octagonal junction box
- Weight: 1.8lbs (Large version) / 2.7lbs (X-Large version)

### Tube Finish Options



Smart Tube Wall 3.2 Large, 1X



Smart Tube Wall 3.2 X-Large, 1X & 2X

### Driver Specifications

DRIVER	OUTPUT CURRENT	INPUT VOLTAGE	DIMMING TYPE	TYPICAL DIMMING LEVEL**	CONNECTED LOAD (TYPICAL)	
					1X	2X
010P-500	500mA	120-277VAC, 120VAC*	0-10V, ELV & Triac	1%	10.5 W	21.5 W

\* Dimming via ELV and Triac only compatible at 120VAC

\*\* Consult the factory for dimmer compatibility

### Ordering Information

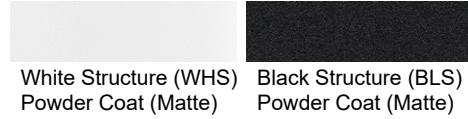
- **DP** - **010P** - **DI** - **500** -

<b>SMARU-W-3.2-L-1X</b>	Smart Tube Wall 3.2 Large, 1 lamp	<b>DP</b> Damp Rated	<b>010P</b> 0-10V/ELV/Triac	<b>DI</b> Driver Included	<b>500</b> 500mA	<b>WHS</b> White Structure
<b>SMARU-W-3.2-XL-1X</b>	Smart Tube Wall 3.2 X-Large, 1 lamp					<b>BLS</b> Black Structure
<b>SMARU-W-UD-3.2-XL-2X</b>	Smart Tube Wall Up/Down 3.2 X-Large, 2 lamp					

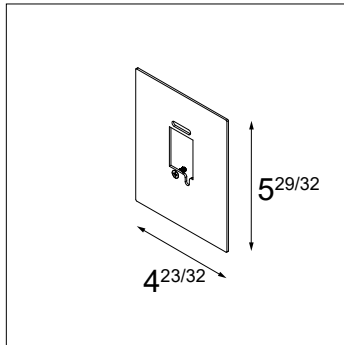
## Accessories Specifications

- Accessories are optional (plaster plate comes standard\*)
- Backplate / Cover Plate for covering a 4x4 octagonal electrical box or 3x2 electrical box
- Cover Plate Material: Stainless steel
- Cover Plate Finish: Powder Coat
- Plate Thickness: 0.08"
- Weight: 0.7lbs

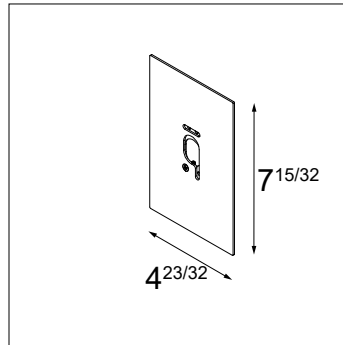
### Plate Finish Options



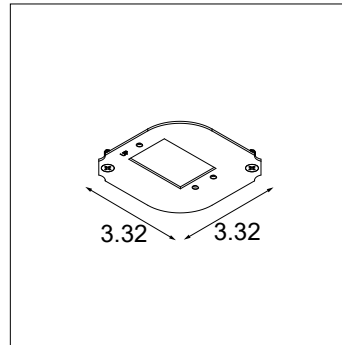
\* An additional plaster plate can be ordered to be delivered in advance



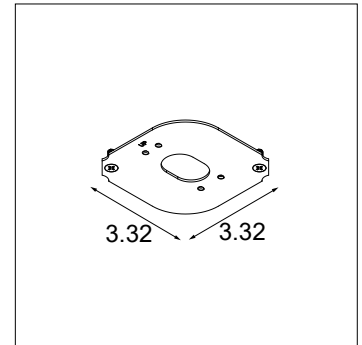
Backplate for  
Tube Wall 3.2 Large



Backplate for  
Tube Wall 3.2 X-Large



Plaster Finish Plate for 4x4 octagonal junction box  
for Tube Wall 3.2 Large 1x / X-Large 2x



Plaster Finish Plate for 4x4 octagonal junction box  
for Tube Wall 3.2 Large 1x / X-Large 2x

## Accessory Ordering Information

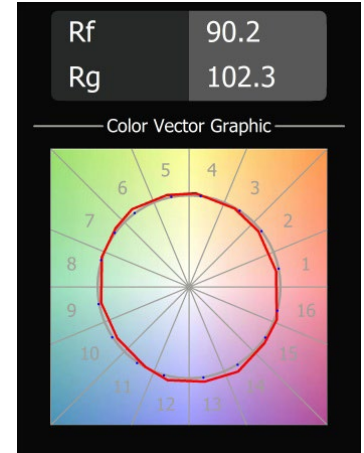
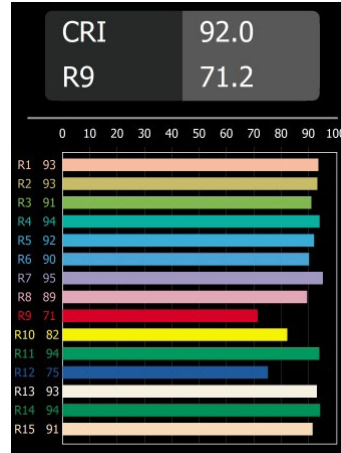
<b>BP-C</b>	-		-	<b>SMART-TW-3.2</b>	-		
Backplate Cover	<b>44</b>	4"x4" Junction Box		<b>SMART-TW-3.2</b> Smart Tube Wall 3.2*	<b>L</b>	Large Tube*	<b>WHS</b> White Structure
	<b>32</b>	3"x2" Junction Box			<b>XL</b>	X-large Tube*	<b>BLS</b> Black Structure
<b>PP</b>	-	<b>44</b>	-	<b>SMART-TW-3.2</b>	-		
Plaster Finish Plate for 4x4 octagonal junction box					<b>L-1X-XL-2X</b>	Large 1x / X-Large 2x	
					<b>XL-1X</b>	X-Large 1x	

\* Size of backplate must match size of tube (page 3)

### Performance Specifications (per lamp)

	Fixed	Adjustable
Weight	0.79lbs	0.89lbs
Adjustability	-	0-25°
Location	Damp	
CRI*	92, R9: 71	
Lifetime	L80 B20 @ 50,000 hrs	
UGR	see website	
Electrical (typical)	500mA	
Vf	14.4V	
Power	7.2W	

For photometric files see website or contact factory



\*CRI & TM-30 Value for 3000K

### Output Specifications

Reference: 3000K, 40deg (FL), 500mA, White  
Values below are typical  
( ) indicates multipliers

#### Fixed Lamp

Reference Delivered Lumens	CCT	Optics	Current	Finish
861	2700K (0.96) 3000K (1.0) 3500K (1.04)	S (1.0) M (1.0) F (1.0) MPG M (0.98) MPG F (0.89) FRG F (0.84)	500mA (1.0)	WHS (1.0) GOMT (0.94) BLS (0.94)

#### Adjustable Lamp

Reference Delivered Lumens	CCT	Optics	Current	Finish
686	2700K (0.95) 3000K (1.0) 3500K (1.03)	M (1.05) F (1.0)	500mA (1.0)	WHS (1.0) GOMT (1.04) BLS (0.99)

#### Example Calculation

To determine typical output for 2700K, Medium optic, 500mA in Gold:  
686 x 0.95 x 1.05 x 1.0 x 1.04 = 712 lumen

### Listings and Certifications

- ADA Compliant
- Damp location listed
- cUL & UL listed

### Warranty

Visit <https://www.supermodular.com/warranty>