

## Smart Lotis 1.9 Tube Surface

### Overview

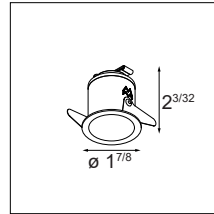


Smart Lotis is the best known fixture within the Smart family. The deeply recessed cone which holds the light source inspired the designers to create a very versatile spot to be combined with multiple accessories.

With an outer diameter of 1.9" and an aperture of 1.5 inches, the Smart Lotis 1.9 is compact yet powerful. Forming a cUL class II luminaire when combined with the tube, the installation options are endless.

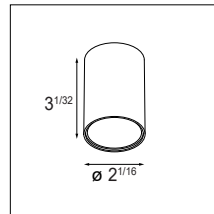
### How to Specify (Example)

#### 1. Select Lamp Module → Page 2



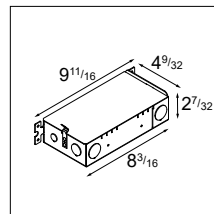
Example: **SMART-L-R-1.9-1X-30M-DP-DE-BLS**  
(Smart Lotis Recessed 1.9, 3000K, medium, damp rated, black structure)

#### 2. Select Tube → Page 3



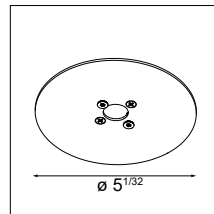
Example: **SMARU-S-1.9-1X-DP-DE-WHS**  
(Smart Tube Surface 1.9, 1 lamp, damp rated, driver excluded, white structure)

#### 3. Select Remote Driver → Page 4



Example: **NON-IC-RD-DP-010P-500-6**  
(Non IC remote driver, damp rated, 0-10V/ELV/Triac, 500mA, 6W)

#### 4. Select Optional Accessories → Page 5



Example: **BP-C-44-SMART-ST-1.9-WHS**  
(Backplate for 4x4 junction box, Smart 1.9, white structure)

#### Example Order:

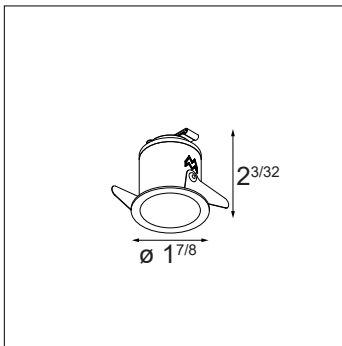
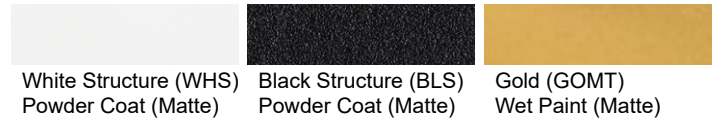
Qty.	Item
1	SMART-L-R-1.9-1X-30M-DP-DE-BLS
1	SMARU-S-1.9-1X-DP-DE-WHS
1	NON-IC-RD-DP-010P-500-6
1	BP-C-44-SMART-ST-1.9-WHS

### Lamp Specifications & Ordering Information

- Aperture: 1.5"
- Trim Material: Cast Aluminum
- Trim Finish: Powder Coat or Wet Paint\*
- Must be combined with surface tube

\* Wet Paint is only used for the gold finish

### Lamp Module Finish Options



### Ordering Information

<b>SMART-L-R-1.9-1X</b>	-	-	-	-	-	<b>DE</b>	-
Smart Lotis Recessed 1.9 1x	<b>[blank]</b> Clear Glass <sup>(1)</sup>	<b>27</b> 2700K	<b>M</b> Medium 28° <sup>(1)</sup> /44° <sup>(2)</sup>	<b>DP</b> Damp Location	<b>DE</b> Driver Excluded	<b>WHS</b> White Structure	
	<b>MPG</b> Microprismatic Glass <sup>(2)</sup>	<b>30</b> 3000K		<b>WT</b> Wet Location		<b>BLS</b> Black Structure	
		<b>35</b> 3500K	<b>Warm Dim</b>			<b>GOMT</b> Gold Matt	
		<b>WD</b> Warm Dim 3000K - 1800K	<b>F</b> Flood 43° <sup>(1)</sup> /44° <sup>(2)</sup>				

### Example Ordering Code

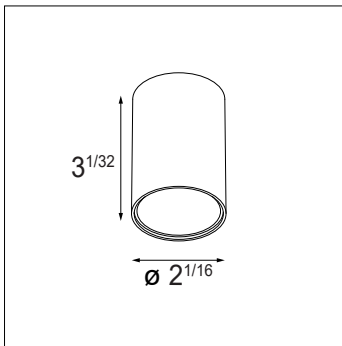
<b>SMART-L-R-1.9-1X</b>	-		-	<b>30M</b>	-	<b>DP</b>	-	<b>DE</b>	-	<b>BLS</b>
-------------------------	---	--	---	------------	---	-----------	---	-----------	---	------------

Smart Lotis Recessed 1.9 1x, 3000K, medium, damp rated, driver excluded, black structure)

### Surface Tube Specifications

- Tube body forms cUL class II connection box
- Tube Material: Cast Aluminum
- Tube Finish: Powder Coat
- Included with tube: Plaster finish plate for 4x4 octagonal junction box
- Weight: 0.4lbs

### Tube Finish Options



Surface Tube

### Tube Ordering Information

**SMARU-S-1.9-1X** - **DP** - **DE** -

Smart Tube Surface  
1.9 1x

**DP** Damp  
Location

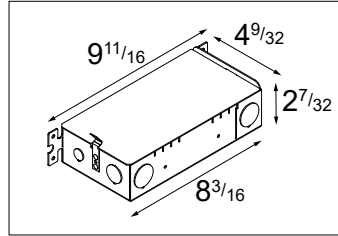
**DE** Driver Excluded  
(requires remote driver)

**WHS** White Structure

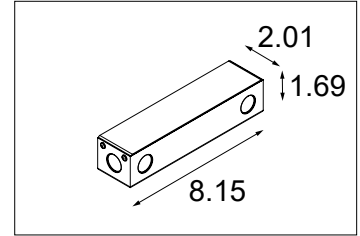
**BLS** Black Structure

### Remote Driver Specifications

- Remote driver housing material: Sheet metal (galvanized steel)
- Remote driver housing can be bottom mounted, side mounted or mounted to t-bar grid



Remote Driver Box 'B'



Remote Driver Box 'A'

### Remote Driver Information

SELECTION ↓	ORDERING CODE	BOX TYPE	DIMMING TYPE	LAMP MODULE COMPATIBILITY	OUTPUT CURRENT	INPUT VOLTAGE	TYPICAL DIMMING LEVEL**	UL LOCATION					FIXTURE QUANTITY (SERIAL CONNECTION)				
								RECESSED TYPE IC	RECESSED TYPE NON-IC	SURFACE	CABINET	UNDER CABINET	1X	2X	3X	4X	5X
	NON-IC-RD-DP-010P-350-8	B	0-10V, ELV & Triac	Fixed CCT (2700K, 3000K, 3500K)	350mA	120-277VAC, 120VAC*	1%	-	X	X	X	X	-	X	-	-	-
	NON-IC-RD-DP-010P-350-11	B	0-10V, ELV & Triac	Fixed CCT (2700K, 3000K, 3500K)	350mA	120-277VAC, 120VAC*	1%	-	X	X	X	X	-	-	X	-	-
	NON-IC-RD-DP-010P-350-14	B	0-10V, ELV & Triac	Fixed CCT (2700K, 3000K, 3500K)	350mA	120-277VAC, 120VAC*	1%	-	X	X	X	X	-	-	-	X	-
	NON-IC-RD-DP-010P-500-6	B	0-10V, ELV & Triac	Fixed CCT (2700K, 3000K, 3500K)	500mA	120-277VAC, 120VAC*	1%	-	X	X	X	X	X	-	-	-	-
	NON-IC-RD-DP-010P-500-16	B	0-10V, ELV & Triac	Fixed CCT (2700K, 3000K, 3500K)	500mA	120-277VAC, 120VAC*	1%	-	X	X	X	X	-	-	X	-	-
	NON-IC-RD-DP-010P-500-21	B	0-10V, ELV & Triac	Fixed CCT (2700K, 3000K, 3500K)	500mA	120-277VAC, 120VAC*	1%	-	X	X	X	X	-	-	-	X	-
	IC-RD-DP-TE1-500-12	B	ELV & Triac	Fixed CCT (2700K, 3000K, 3500K)	500mA	120VAC	1%	X	-	X	X	X	-	X	-	-	-
	IC-RD-DP-TE1-500-20	B	ELV & Triac	Fixed CCT (2700K, 3000K, 3500K)	500mA	120VAC	1%	X	-	X	X	X	-	-	-	X	-
	IC-RD-DP-ECO-LU-350-7-17	B	Lutron Ecosystem	Fixed CCT (2700K, 3000K, 3500K)	350mA	120-277VAC	1%	X	-	X	X	X	-	-	-	X	X
	IC-RD-DP-ECO-LU-500-8-16	B	Lutron Ecosystem	Fixed CCT (2700K, 3000K, 3500K)	500mA	120-277VAC	1%	X	-	X	X	X	-	X	X	-	-
	IC-RD-DP-ECO-LU-500-14-35	B	Lutron Ecosystem	Fixed CCT (2700K, 3000K, 3500K)	500mA	120-277VAC	1%	X	-	X	X	X	-	-	-	-	X
	NON-IC-RD-DP-2W-LU-350-2-14	B	Lutron 2-Wire (Triac)	Fixed CCT (2700K, 3000K, 3500K)	350mA	120VAC	1%	-	X	X	X	X	-	X	-	-	-
	NON-IC-RD-DP-2W-LU-350-3-26	B	Lutron 2-Wire (Triac)	Fixed CCT (2700K, 3000K, 3500K)	350mA	120VAC	1%	-	X	X	X	X	-	X	X	X	-
	NON-IC-RD-DP-2W-LU-350-6-27	B	Lutron 2-Wire (Triac)	Fixed CCT (2700K, 3000K, 3500K)	350mA	120VAC	1%	-	X	X	X	X	-	-	-	X	X
	NON-IC-RD-DP-2W-LU-500-2-14	B	Lutron 2-Wire (Triac)	Fixed CCT (2700K, 3000K, 3500K)	500mA	120VAC	1%	-	X	X	X	X	-	X	-	-	-
	NON-IC-RD-DP-2W-LU-500-3-26	B	Lutron 2-Wire (Triac)	Fixed CCT (2700K, 3000K, 3500K)	500mA	120VAC	1%	-	X	X	X	X	-	X	X	-	-
	NON-IC-RD-DP-2W-LU-500-6-27	B	Lutron 2-Wire (Triac)	Fixed CCT (2700K, 3000K, 3500K)	500mA	120VAC	1%	-	X	X	X	X	-	-	-	X	X
	IC-RD-DP-0101-EL-350-10	B	0-10V	Fixed CCT (2700K, 3000K, 3500K)	350mA	120-277VAC	1%	X	-	X	X	X	X	X	X	-	-
	IC-RD-DP-0101-EL-350-20	B	0-10V	Fixed CCT (2700K, 3000K, 3500K)	350mA	120-277VAC	1%	X	-	X	X	X	X	X	X	X	X
	IC-RD-DP-0101-EL-350-30	B	0-10V	Fixed CCT (2700K, 3000K, 3500K)	350mA	120-277VAC	1%	X	-	X	X	X	X	X	X	X	X
	IC-RD-DP-0101-EL-500-10	B	0-10V	Fixed CCT (2700K, 3000K, 3500K)	500mA	120-277VAC	1%	X	-	X	X	X	X	X	-	-	-
	IC-RD-DP-0101-EL-500-20	B	0-10V	Fixed CCT (2700K, 3000K, 3500K)	500mA	120-277VAC	1%	X	-	X	X	X	X	X	X	X	-
	IC-RD-DP-0101-EL-500-30	B	0-10V	Fixed CCT (2700K, 3000K, 3500K)	500mA	120-277VAC	1%	X	-	X	X	X	X	X	X	X	X
	IC-RD-DP-D1-EL-350-10	B	DALI	Fixed CCT (2700K, 3000K, 3500K)	350mA	120-277VAC	1%	X	-	X	X	X	X	X	X	-	-
	IC-RD-DP-D1-EL-350-20	B	DALI	Fixed CCT (2700K, 3000K, 3500K)	350mA	120-277VAC	1%	X	-	X	X	X	X	X	X	X	X
	IC-RD-DP-D1-EL-350-30	B	DALI	Fixed CCT (2700K, 3000K, 3500K)	350mA	120-277VAC	1%	X	-	X	X	X	X	X	X	X	X
	IC-RD-DP-D1-EL-500-10	B	DALI	Fixed CCT (2700K, 3000K, 3500K)	500mA	120-277VAC	1%	X	-	X	X	X	X	X	-	-	-
	IC-RD-DP-D1-EL-500-20	B	DALI	Fixed CCT (2700K, 3000K, 3500K)	500mA	120-277VAC	1%	X	-	X	X	X	X	X	X	X	-
	IC-RD-DP-D1-EL-500-30	B	DALI	Fixed CCT (2700K, 3000K, 3500K)	500mA	120-277VAC	1%	X	-	X	X	X	X	X	X	X	X
	IC-RD-DP-0101-EL-250	B	0-10V	Warm Dim 3000K-1800K	250mA	120-277VAC	1%	X	-	X	X	X	X	X	-	-	-
	IC-RD-DP-D1-EL-250	B	DALI	Warm Dim 3000K-1800K	250mA	120-277VAC	1%	X	-	X	X	X	X	X	-	-	-
	IC-RD-DP-ECO-LU-250	B	Lutron Ecosystem	Warm Dim 3000K-1800K	250mA	120-277VAC	1%	X	-	X	X	X	-	X	-	-	-
	NON-IC-RD-DP-2W-LU-250	B	Lutron 2-Wire (Triac)	Warm Dim 3000K-1800K	250mA	120VAC	1%	-	X	X	X	X	X	X	-	-	-
	RD-DP-TE01-250	A	Trailing Edge Dimmable	Warm Dim 3000K-1800K	250mA	120-277VAC	0.1%	contact factory					X	-	-	-	-

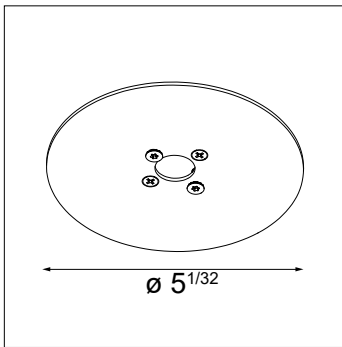
\* Dimming via ELV and Triac only compatible at 120VAC

\*\* Consult the factory for dimmer compatibility

### Accessories Specifications

- Accessories are optional (plaster plate comes standard)
- Backplate / Cover Plate provides a cUL listed option for covering a 4x4 octagonal electrical box
- Cover Plate Material: Stainless steel
- Cover Plate Finish: Powder Coat
- Plate Thickness: 0.08"
- Weight: 0.7lbs

### Plate Finish Options



Smart 1.9 Surface Tube Cover Plate

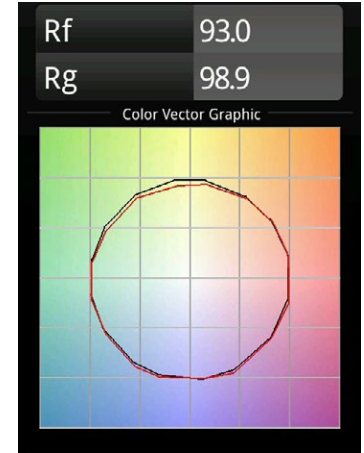
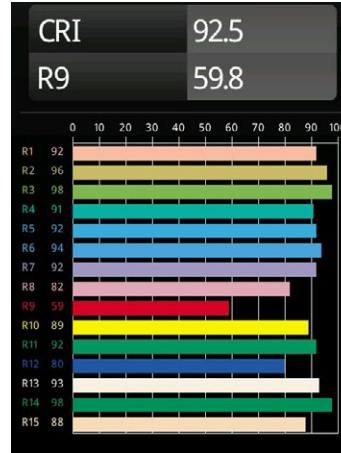
### Accessory Ordering Information

<b>BP-C</b>	-	<b>SMART-ST-1.9</b>	-								
<b>Backplate Cover</b>	<table border="0"> <tr> <td><b>44</b></td> <td>4"x4" Junction Box</td> </tr> <tr> <td><b>32</b></td> <td>3"x2" Junction Box</td> </tr> </table>	<b>44</b>	4"x4" Junction Box	<b>32</b>	3"x2" Junction Box	<b>SMART-ST-1.9</b> Smart Surface Tube 1.9"	<table border="0"> <tr> <td><b>WHS</b></td> <td>White Structure</td> </tr> <tr> <td><b>BLS</b></td> <td>Black Structure</td> </tr> </table>	<b>WHS</b>	White Structure	<b>BLS</b>	Black Structure
<b>44</b>	4"x4" Junction Box										
<b>32</b>	3"x2" Junction Box										
<b>WHS</b>	White Structure										
<b>BLS</b>	Black Structure										

## Smart Lotis 1.9 Tube Surface

### Performance Specifications (per luminaire)

	Fixed CCT	Warm Dim
Weight	0.25 lbs	
Location	Damp & Wet	
CRI*	92, R9: 60	97, R: 95
Lifetime	L80 B20 @ 50.000 hrs	
UGR	see website	
Electrical (typical)		
	Fixed CCT	Warm Dim
	350mA    500mA	250mA
Vf	8.6V    8.6V	17V
Power	3W    4.3W	4.3W



For photometric files see website or contact factory

### Output Specifications

( ) indicates multipliers

Reference Delivered Lumens	CCT	Optics	Current	Finish
303 (3000K, ME, 500mA, WHS)	2700K (0.87) 3000K (1.0) 3500K (0.91)	MPG M (1.01) M (1.0)	350mA (0.74) 500mA (1.0)	WHS (1.0) GOMT (0.98) BLS (0.96)
180 (3000K -1800K, ME, 250mA, WHS)	3000K – 1800K (1.0)	MPG F (0.95) F (1.0)	250mA (1.0)	WHS (1.0) GOMT (0.97) BLS (0.92)

Example Calculation

To determine typical output for 2700K, microprismatic glass, optic medium, 350mA in gold.

$$303 \times 0.87 \times 1.01 \times 0.74 \times 0.98 = 193 \text{ lumen}$$

### Listings and Certifications

- Damp location listed
- cUL & UL listed

### Warranty

Visit <https://www.supermodular.us/warranty>