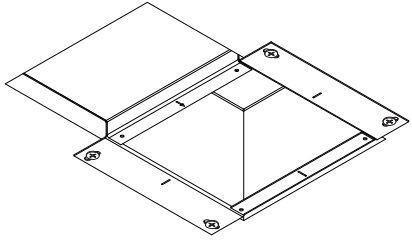


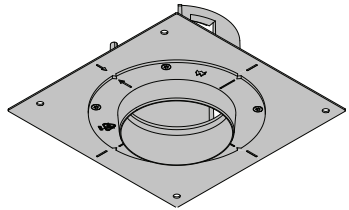
Concrete kit 150x150 - Ø70

11624230

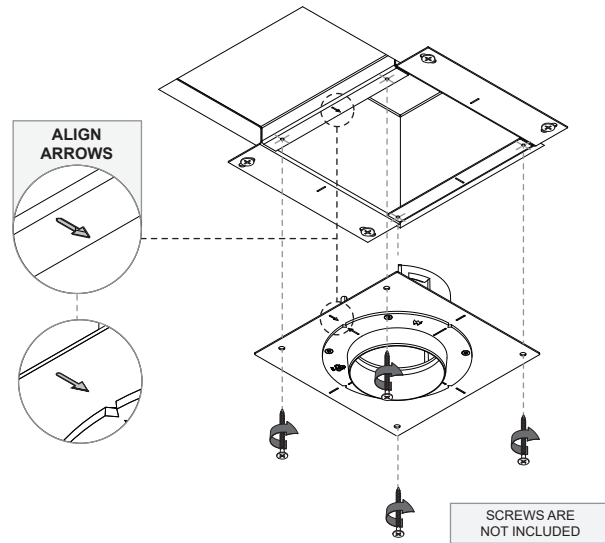
11624030 Conbox 140x250x100x210 - NOT INCLUDED



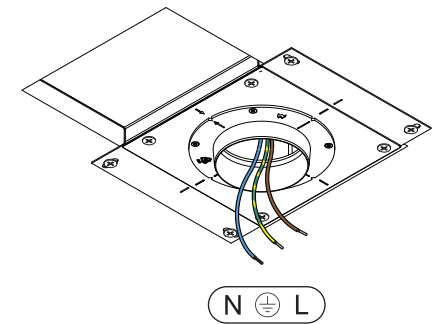
11624230 Concrete kit 150x150 - Ø70 - INCLUDED



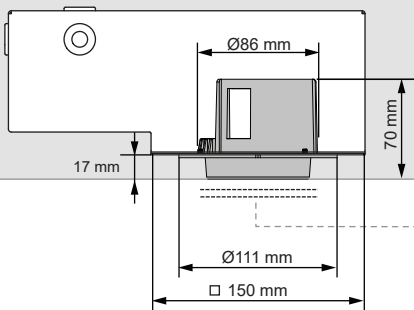
1



2



CONCRETE



When pouring concrete, the concrete ring should be flush and parallel with the formwork.



DRIVER CAN ALSO BE INSERTED AFTERWARDS

