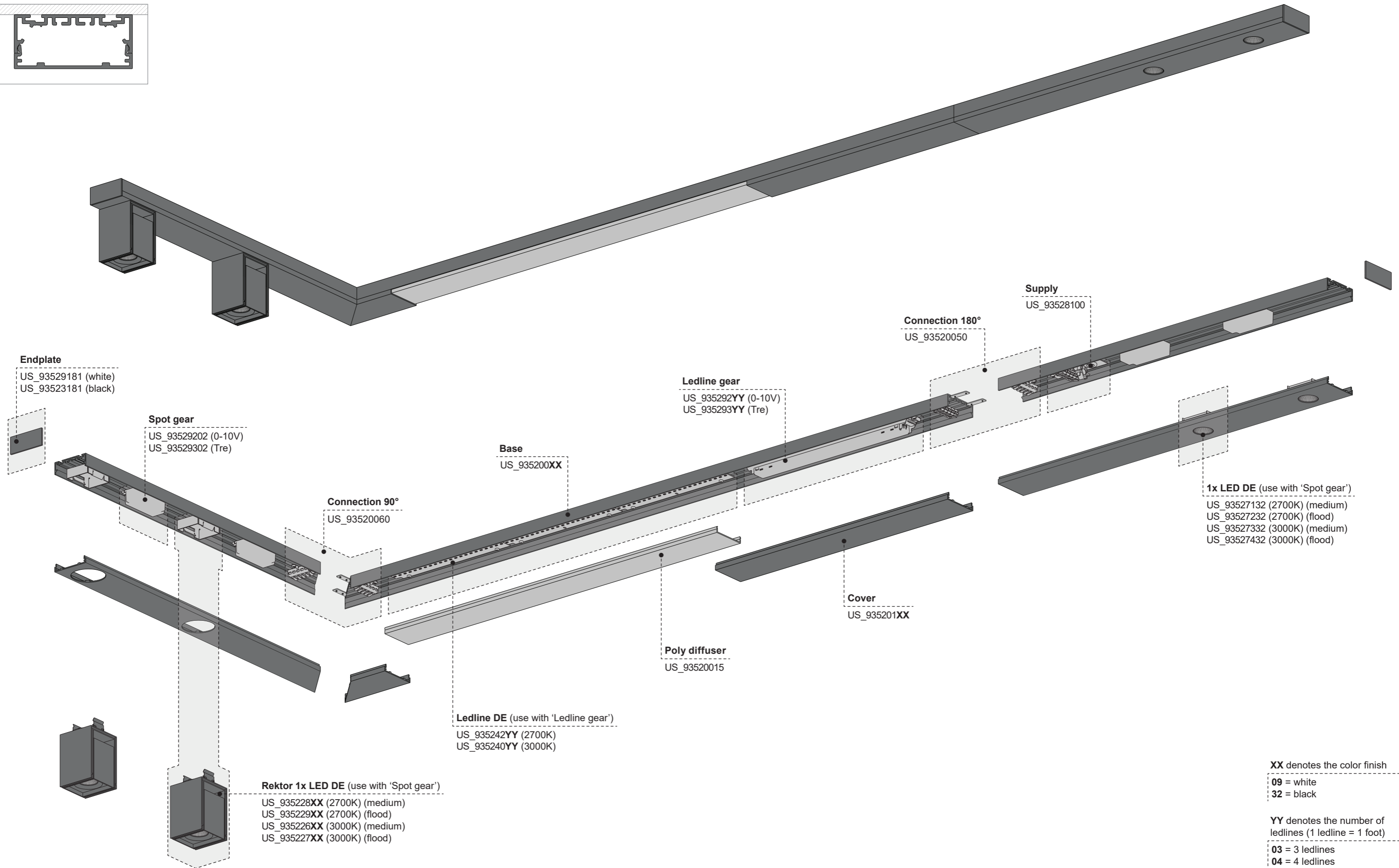
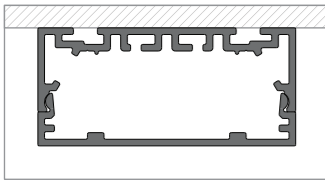




# MP 3.1

INSTALLATION INSTRUCTIONS



XX denotes the color finish

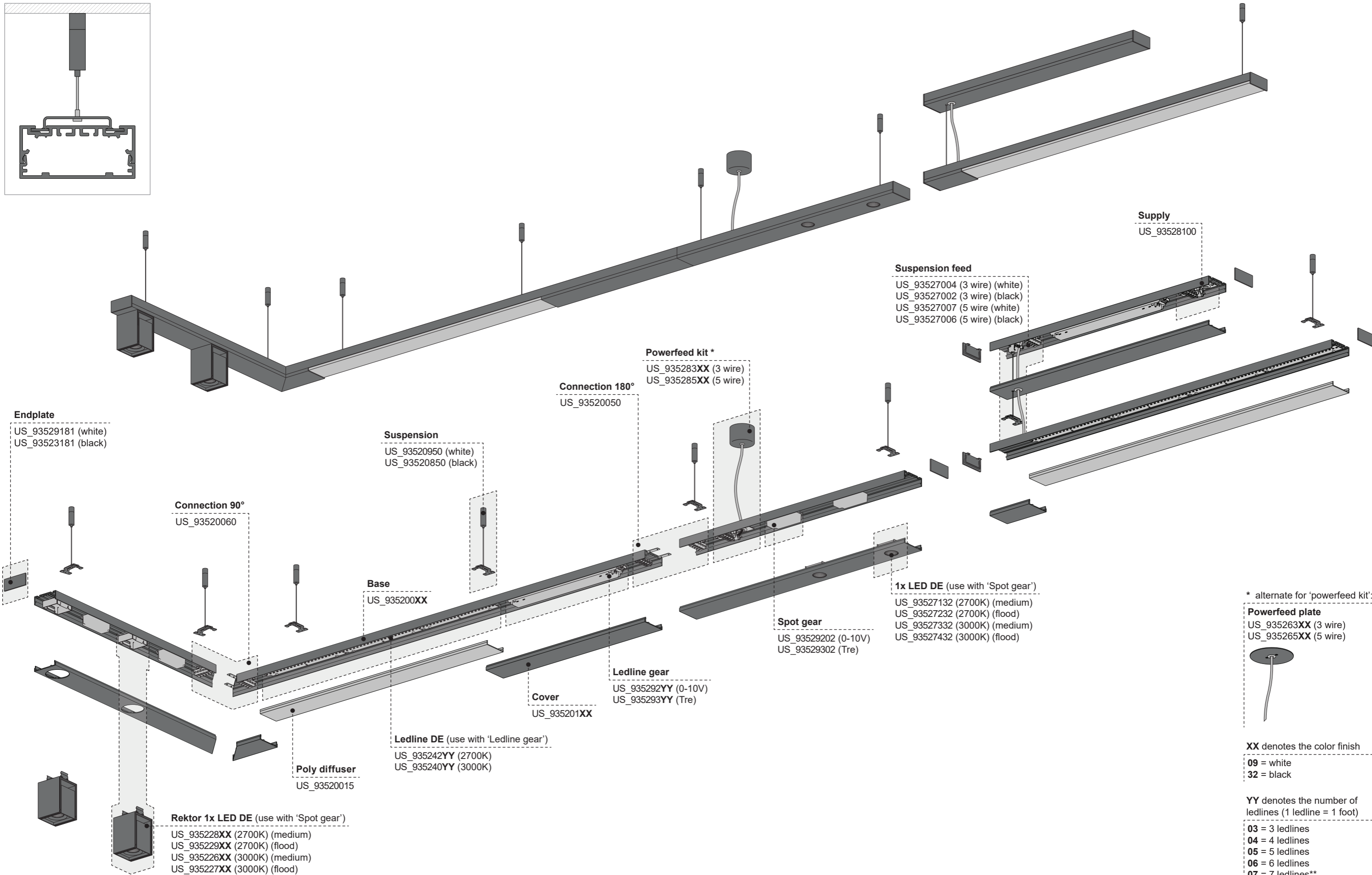
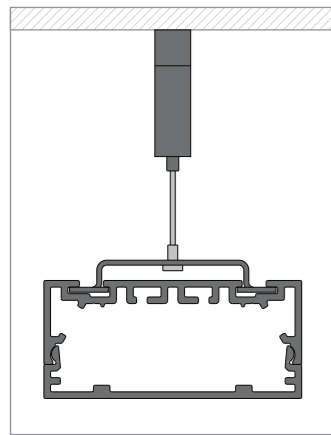
09 = white  
 32 = black

YY denotes the number of ledlines (1 ledline = 1 foot)

03 = 3 ledlines  
 04 = 4 ledlines  
 05 = 5 ledlines  
 06 = 6 ledlines  
 07 = 7 ledlines\*\*  
 08 = 8 ledlines\*\*

\*\* not possible with 'Tre' gear

**MP 3.1 - SUSPENSION**



**Endplate**  
 US\_93529181 (white)  
 US\_93523181 (black)

**Connection 90°**  
 US\_93520060

**Suspension**  
 US\_93520950 (white)  
 US\_93520850 (black)

**Base**  
 US\_935200XX

**Connection 180°**  
 US\_93520050

**Powerfeed kit \***  
 US\_935283XX (3 wire)  
 US\_935285XX (5 wire)

**Suspension feed**  
 US\_93527004 (3 wire) (white)  
 US\_93527002 (3 wire) (black)  
 US\_93527007 (5 wire) (white)  
 US\_93527006 (5 wire) (black)

**Supply**  
 US\_93528100

**1x LED DE (use with 'Spot gear')**  
 US\_93527132 (2700K) (medium)  
 US\_93527232 (2700K) (flood)  
 US\_93527332 (3000K) (medium)  
 US\_93527432 (3000K) (flood)

**Spot gear**  
 US\_93529202 (0-10V)  
 US\_93529302 (Tre)

**Ledline gear**  
 US\_935292YY (0-10V)  
 US\_935293YY (Tre)

**Cover**  
 US\_935201XX

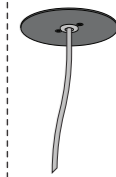
**Ledline DE (use with 'Ledline gear')**  
 US\_935242YY (2700K)  
 US\_935240YY (3000K)

**Poly diffuser**  
 US\_93520015

**Rektor 1x LED DE (use with 'Spot gear')**  
 US\_935228XX (2700K) (medium)  
 US\_935229XX (2700K) (flood)  
 US\_935226XX (3000K) (medium)  
 US\_935227XX (3000K) (flood)

\* alternate for 'powerfeed kit':

**Powerfeed plate**  
 US\_935263XX (3 wire)  
 US\_935265XX (5 wire)



**XX denotes the color finish**  
 09 = white  
 32 = black

**YY denotes the number of ledlines (1 ledline = 1 foot)**

03 = 3 ledlines  
 04 = 4 ledlines  
 05 = 5 ledlines  
 06 = 6 ledlines  
 07 = 7 ledlines\*\*  
 08 = 8 ledlines\*\*

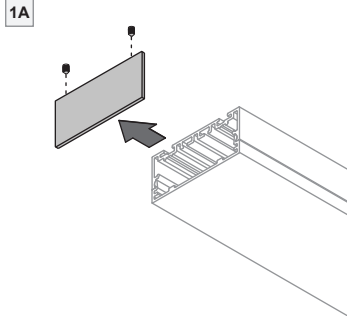
\*\* not possible with 'Tre' gear

# MP 3.1 base /m

US\_93520009\_US\_93520032

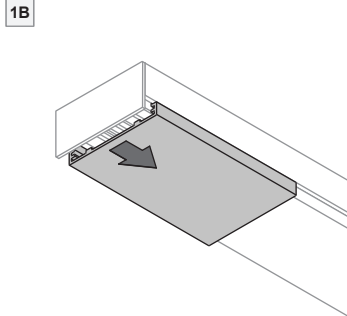
## OPEN PROFILE

### A. ONLY ALU COVER

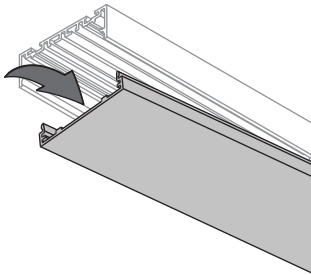


2x 1,5

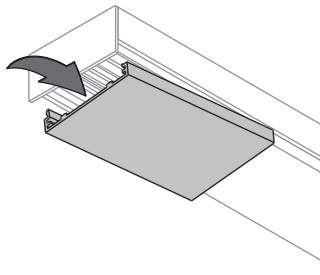
### B. ALU COVER WITH DIFFUSER



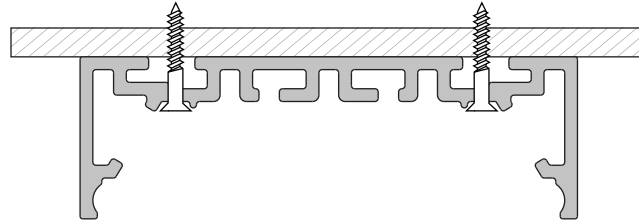
2A



2B

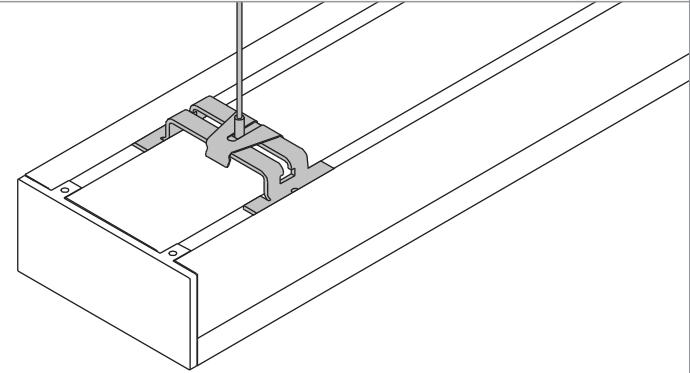


## MECHANICAL FIXATION - SURFACE

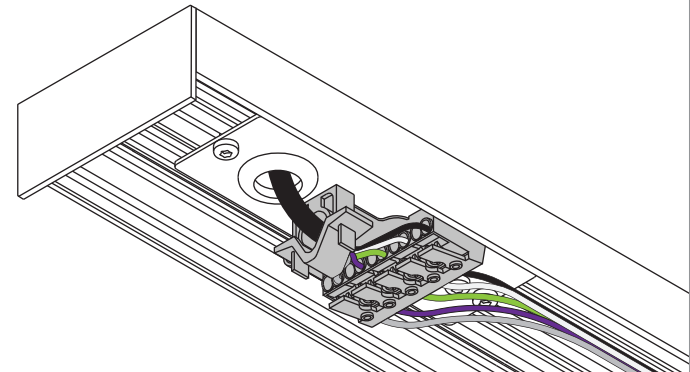


SCREWS NOT INCLUDED

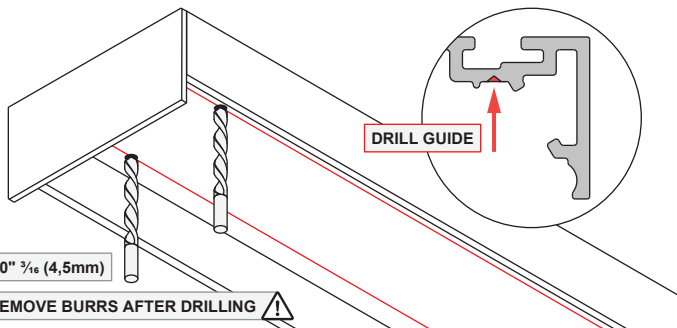
## MECHANICAL FIXATION - SUSPENDED, SEE INDIVIDUAL MANUAL



## ELECTRICAL CONNECTION, SEE INDIVIDUAL MANUAL



## DRILL PROFILE

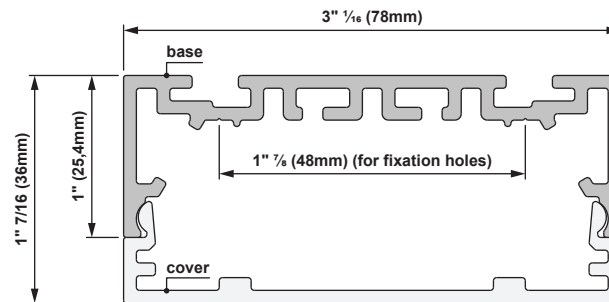


Ø0" 3/16 (4,5mm)

REMOVE BURRS AFTER DRILLING

OR ORDER PRE-DRILLED MP 3.1 SURFACE FIXATION HOLES: US\_93520162

## DIMENSIONS



## INSTALLATION INSTRUCTION

### IMPORTANT SAFETY INSTRUCTIONS

- Read all instructions.
- Save these instructions.

### BASIC SAFETY PRECAUTIONS

- Dry locations only.
- This Luminaire must be mounted or supported independently of an outlet box.

### FOR USE ONLY WITH

- LED luminaire series MP3.1

### PREVENTING ELECTROSTATIC DAMAGE



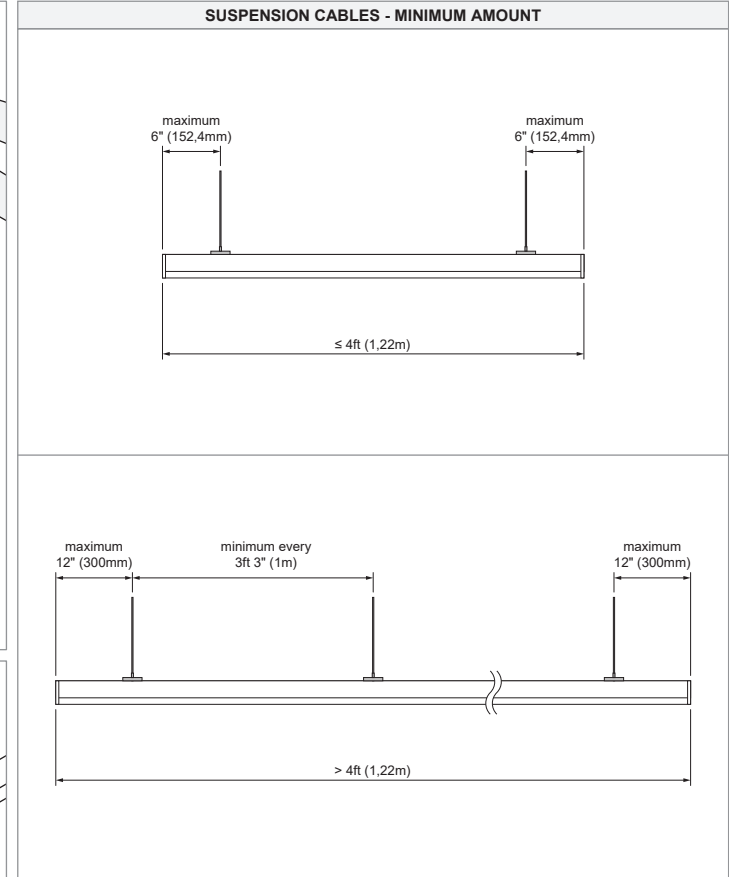
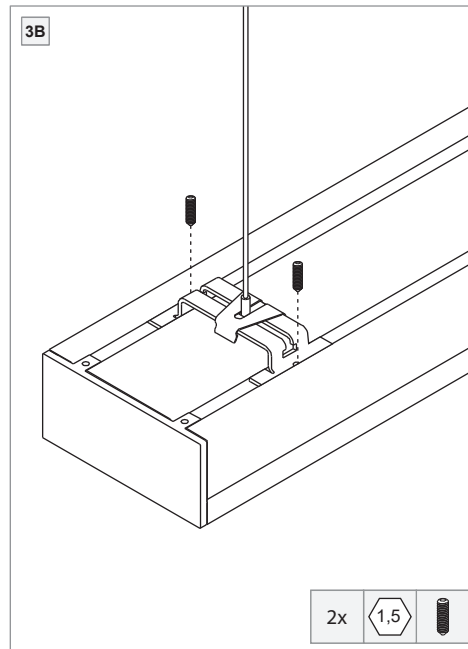
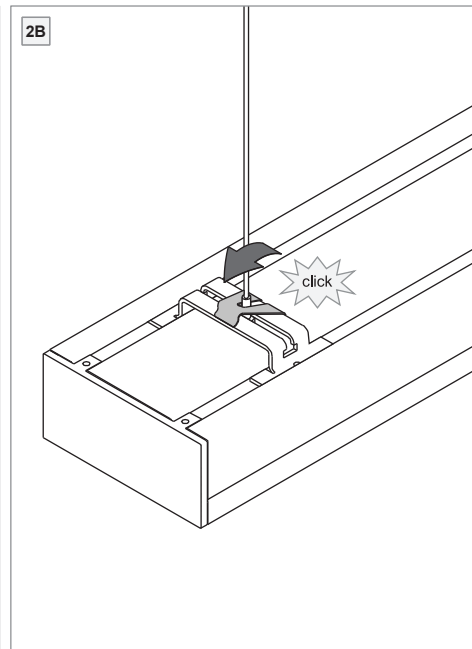
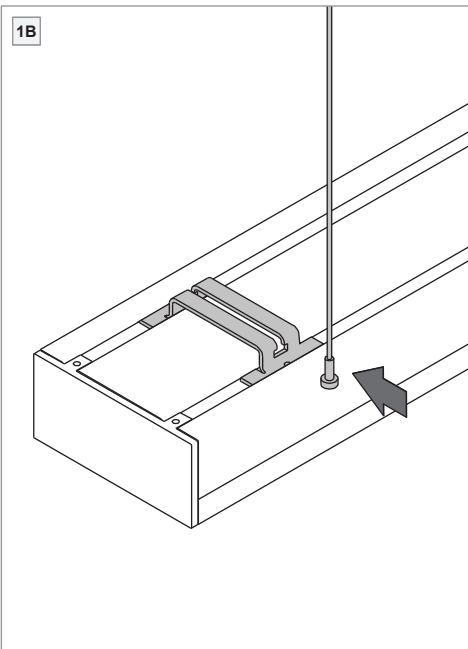
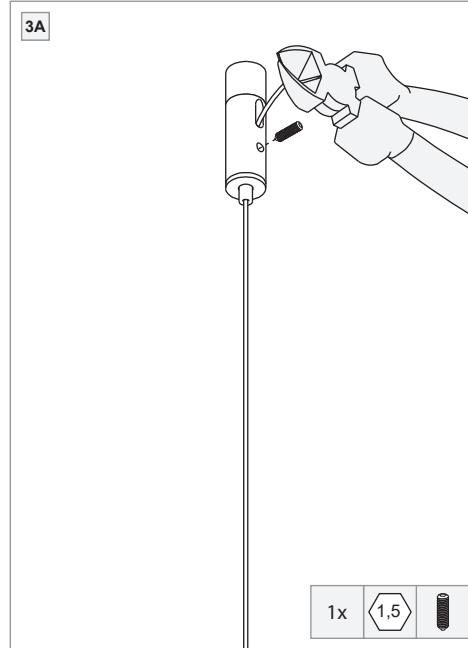
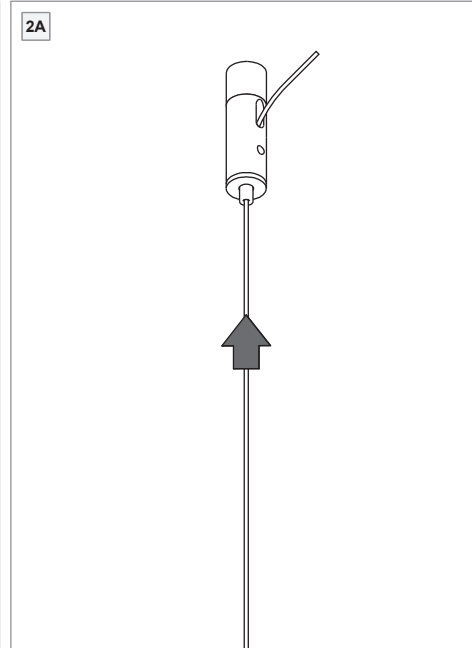
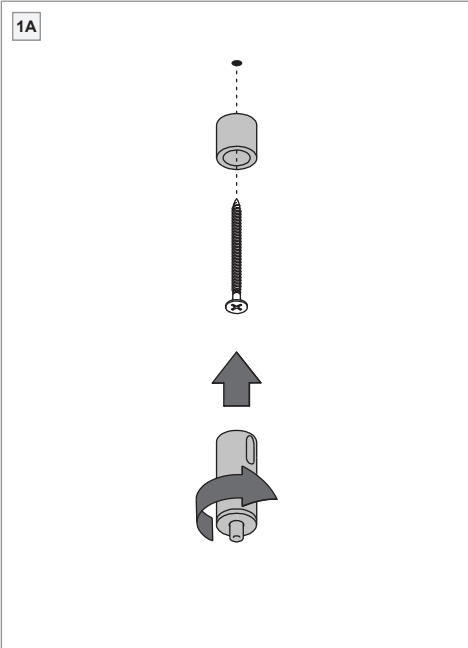
A discharge of static electricity may damage sensitive components. Always be properly grounded when touching leads or circuitry inside the luminaire. Use a wrist strap connected by a ground cord to the housing. Avoid touching the light sources with bare hands.

### LED LUMINAIRE SERIES MP3.1 & ACCESSORIES

For latest version of components and available accessories check [www.supermodular.us](http://www.supermodular.us) or connect with your sales contact.

# MP 3.1 suspension

US\_93520850\_US\_93520950



#### INSTALLATION INSTRUCTION

#### IMPORTANT SAFETY INSTRUCTIONS

- Read all instructions.
- Save these instructions.

#### BASIC SAFETY PRECAUTIONS

- Dry locations only.
- This Luminaire must be mounted or supported independently of an outlet box.

#### FOR USE ONLY WITH

- LED luminaire series MP3.1

#### PREVENTING ELECTROSTATIC DAMAGE



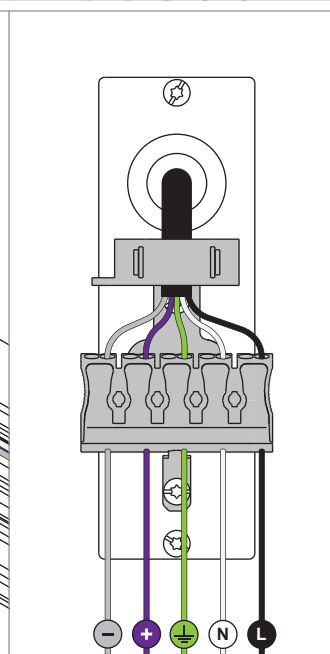
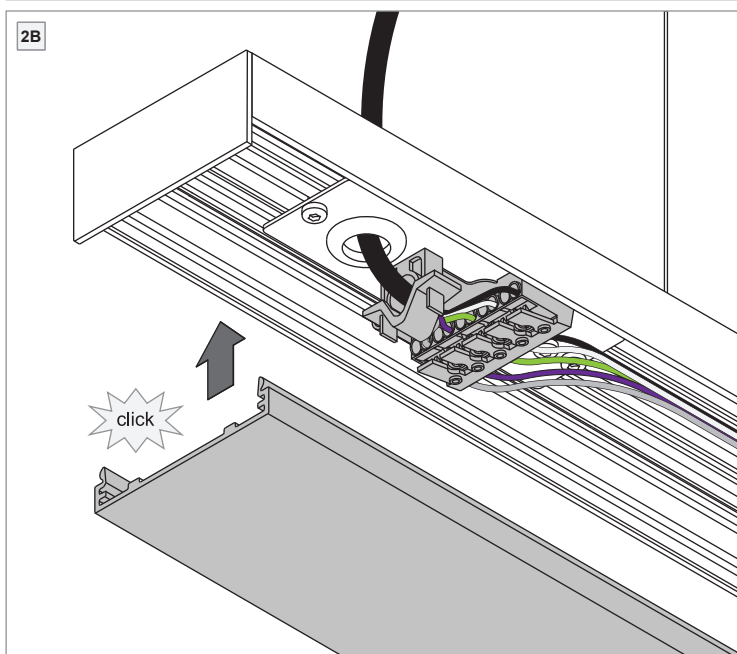
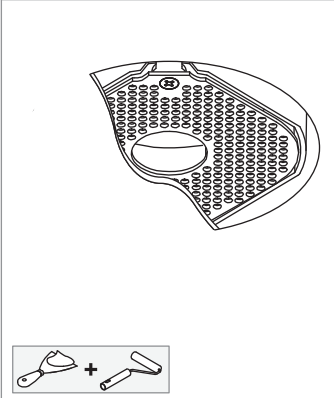
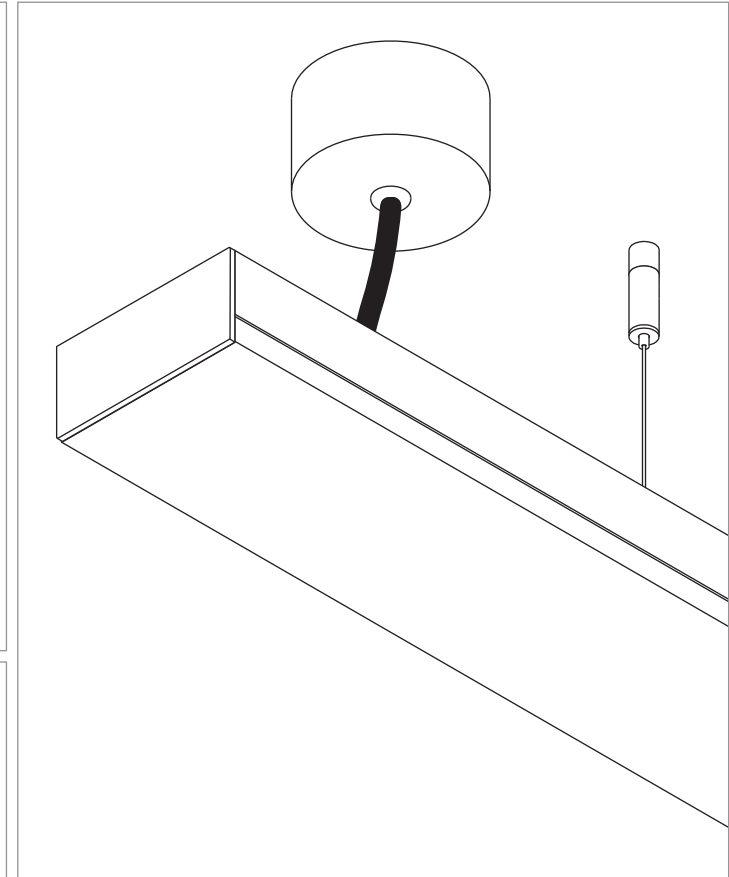
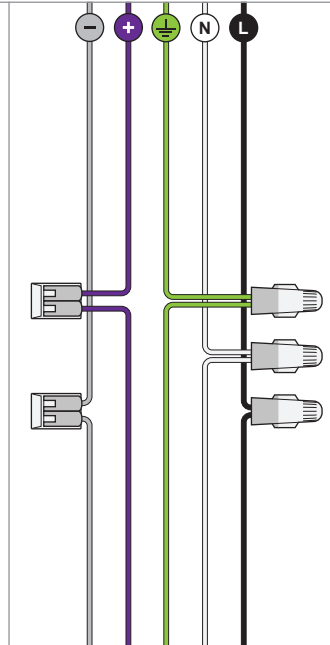
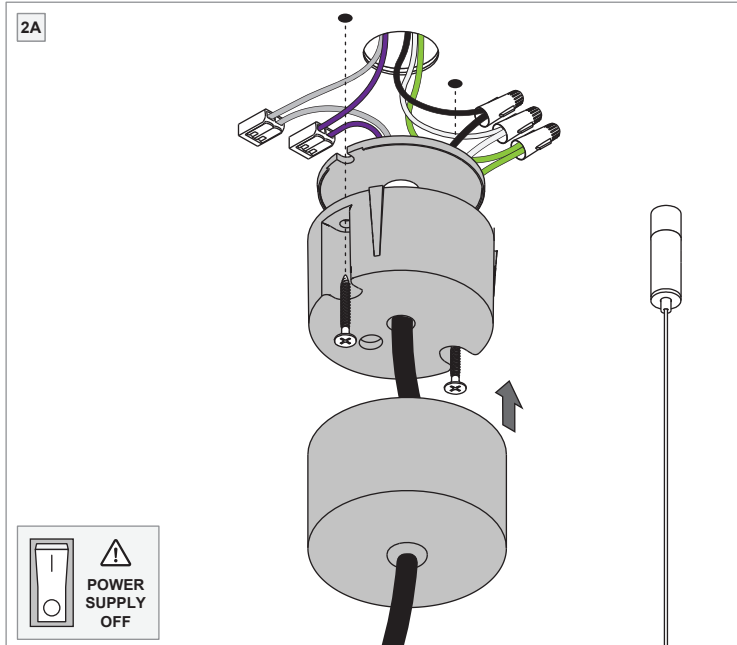
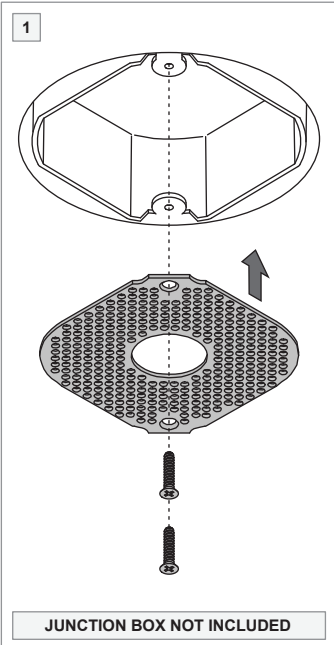
A discharge of static electricity may damage sensitive components. Always be properly grounded when touching leads or circuitry inside the luminaire. Use a wrist strap connected by a ground cord to the housing. Avoid touching the light sources with bare hands.

#### LED LUMINAIRE SERIES MP3.1 & ACCESSORIES

For latest version of components and available accessories check [www.supermodular.us](http://www.supermodular.us) or connect with your sales contact.

# MP 3.1 powerfeed kit wire

US\_935283XX\_US\_935285XX



ELECTRICAL CONNECTION	
PRIMARY (AC)	<b>L</b> BLACK
	<b>N</b> WHITE
	<b>Ground</b> GREEN
DIM (OPTIONAL FOR 0-10V SIGNAL)	<b>+</b> PURPLE or RED
	<b>-</b> GREY or BLUE

**INSTALLATION INSTRUCTION**

**IMPORTANT SAFETY INSTRUCTIONS**

- Read all instructions.
- Save these instructions.


**BASIC SAFETY PRECAUTIONS**

- Dry locations only.
- This Luminaire must be mounted or supported independently of an outlet box.

**FOR USE ONLY WITH**

- LED luminaire series MP3.1

**PREVENTING ELECTROSTATIC DAMAGE**

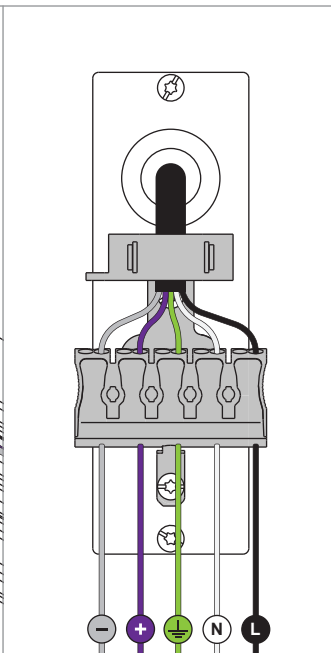
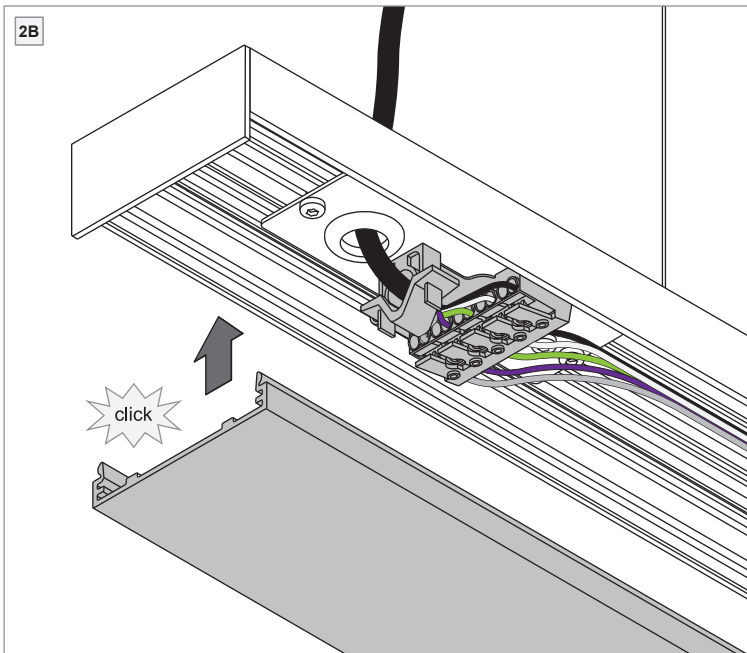
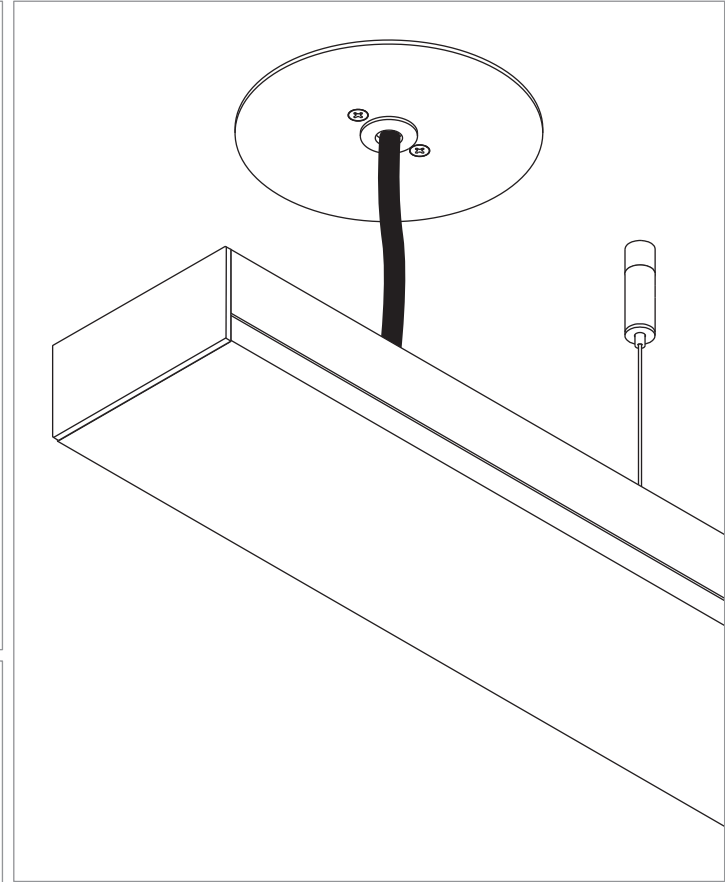
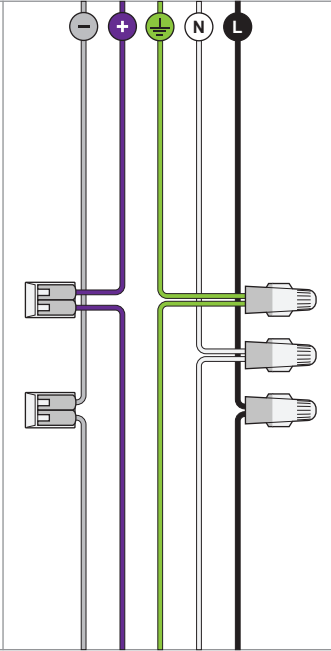
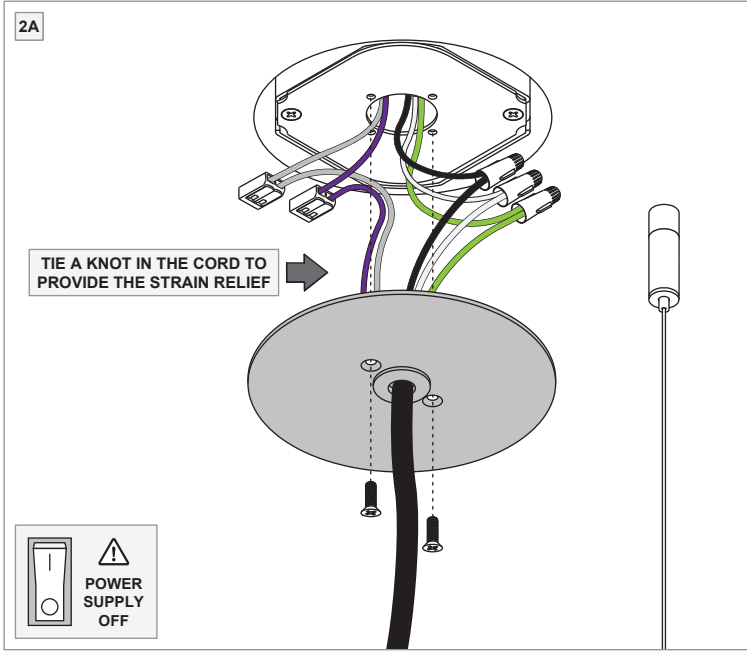
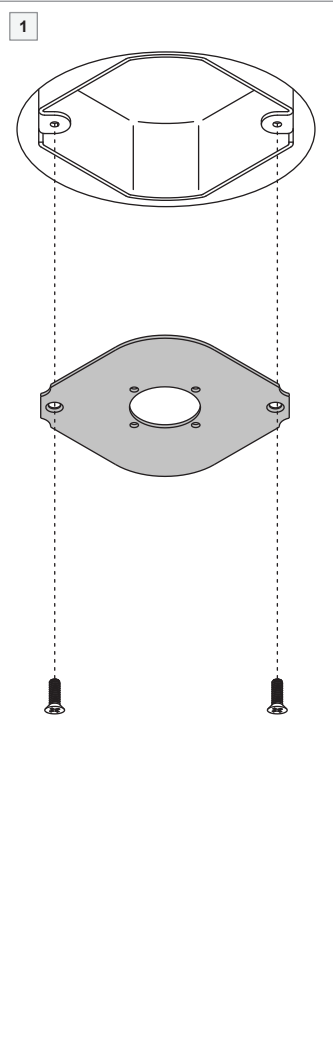
 A discharge of static electricity may damage sensitive components. Always be properly grounded when touching leads or circuitry inside the luminaire. Use a wrist strap connected by a ground cord to the housing. Avoid touching the light sources with bare hands.

**LED LUMINAIRE SERIES MP3.1 & ACCESSORIES**

For latest version of components and available accessories check [www.supermodular.us](http://www.supermodular.us) or connect with your sales contact.

# MP 3.1 powerfeed plate wire

US\_935263XX\_US\_935265XX



ELECTRICAL CONNECTION	
PRIMARY (AC)	<b>L</b> BLACK
	<b>N</b> WHITE
	<b>G</b> GREEN
DIM (OPTIONAL FOR 0-10V SIGNAL)	<b>+</b> PURPLE or RED
	<b>-</b> GREY or BLUE

**INSTALLATION INSTRUCTION**

**IMPORTANT SAFETY INSTRUCTIONS**

- Read all instructions.
- Save these instructions.


**BASIC SAFETY PRECAUTIONS**

- Dry locations only.
- This Luminaire must be mounted or supported independently of an outlet box.

**FOR USE ONLY WITH**

- LED luminaire series MP3.1

**PREVENTING ELECTROSTATIC DAMAGE**

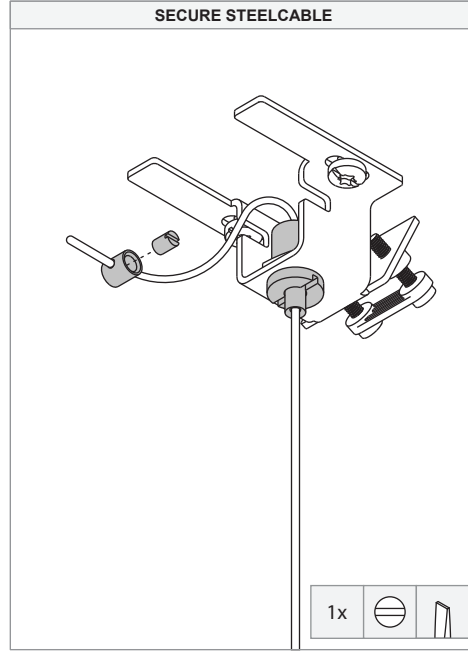
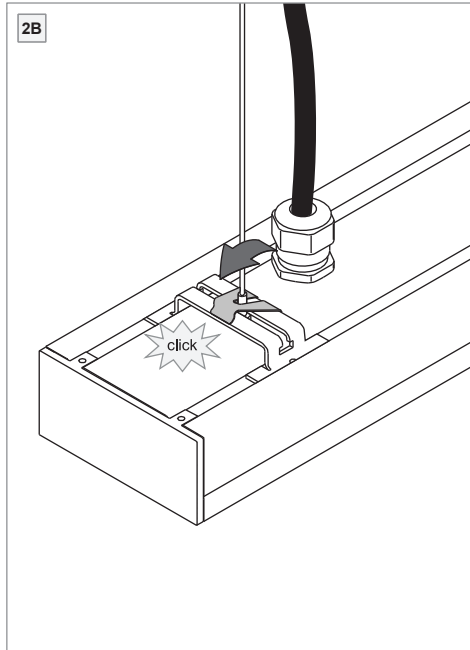
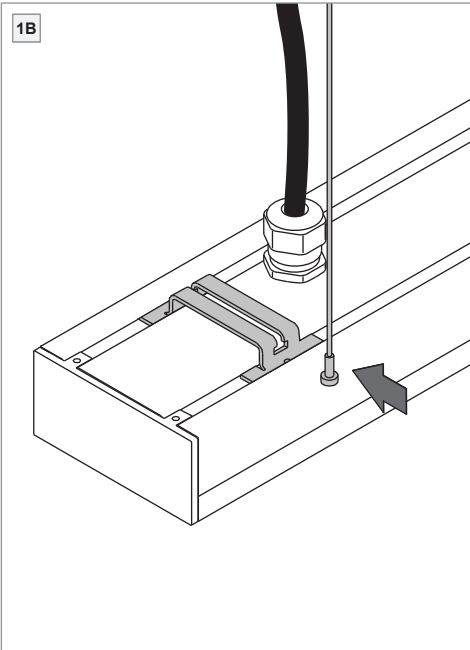
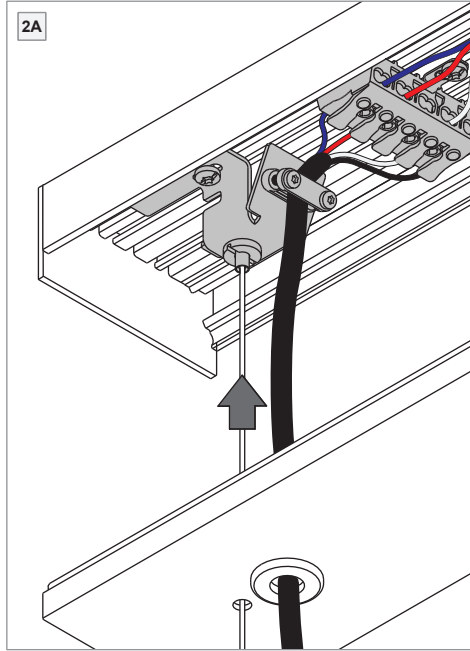
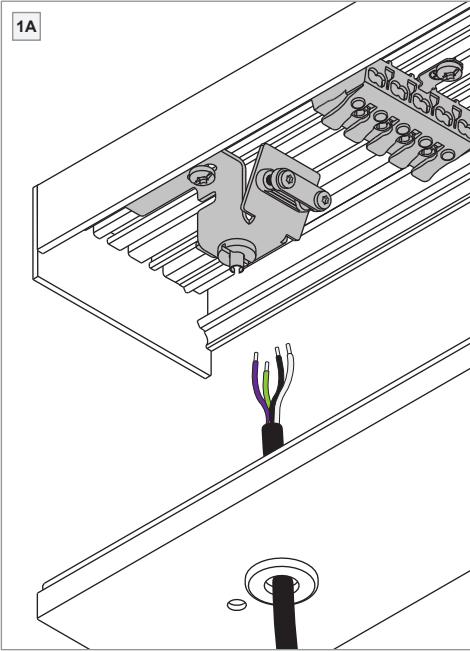
 A discharge of static electricity may damage sensitive components. Always be properly grounded when touching leads or circuitry inside the luminaire. Use a wrist strap connected by a ground cord to the housing. Avoid touching the light sources with bare hands.

**LED LUMINAIRE SERIES MP3.1 & ACCESSORIES**

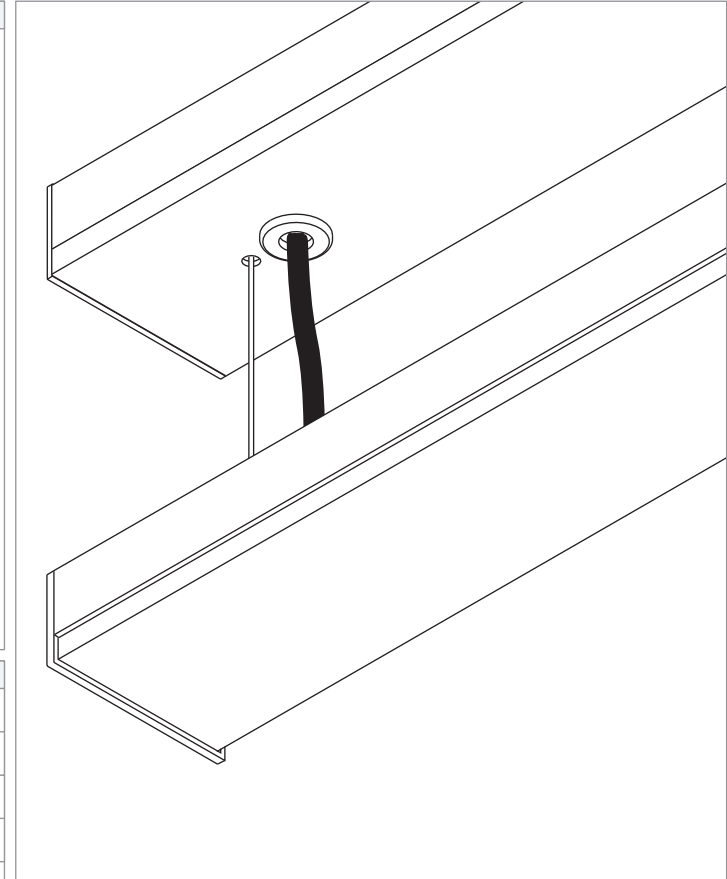
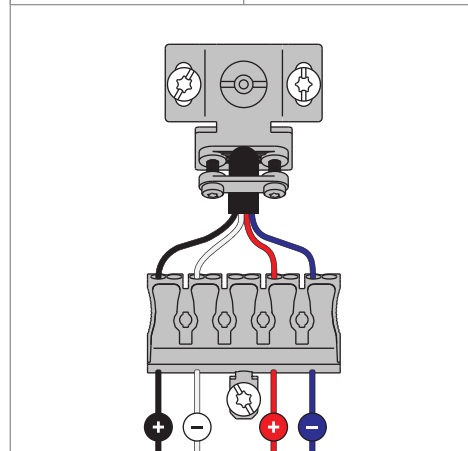
For latest version of components and available accessories check [www.supermodular.us](http://www.supermodular.us) or connect with your sales contact.

# MP 3.1 suspension feed wire

US\_93527002\_US\_93527004\_US\_93527006\_US\_93527007



ELECTRICAL CONNECTION	
LED 1	+ BLACK
	- WHITE
LED 2 (OPTIONAL)	+ RED
	- BLUE



**INSTALLATION INSTRUCTION**

**IMPORTANT SAFETY INSTRUCTIONS**

- Read all instructions.
- Save these instructions.


**BASIC SAFETY PRECAUTIONS**

- Dry locations only.
- This Luminaire must be mounted or supported independently of an outlet box.

**FOR USE ONLY WITH**

- LED luminaire series MP3.1

**PREVENTING ELECTROSTATIC DAMAGE**

 A discharge of static electricity may damage sensitive components. Always be properly grounded when touching leads or circuitry inside the luminaire. Use a wrist strap connected by a ground cord to the housing. Avoid touching the light sources with bare hands.

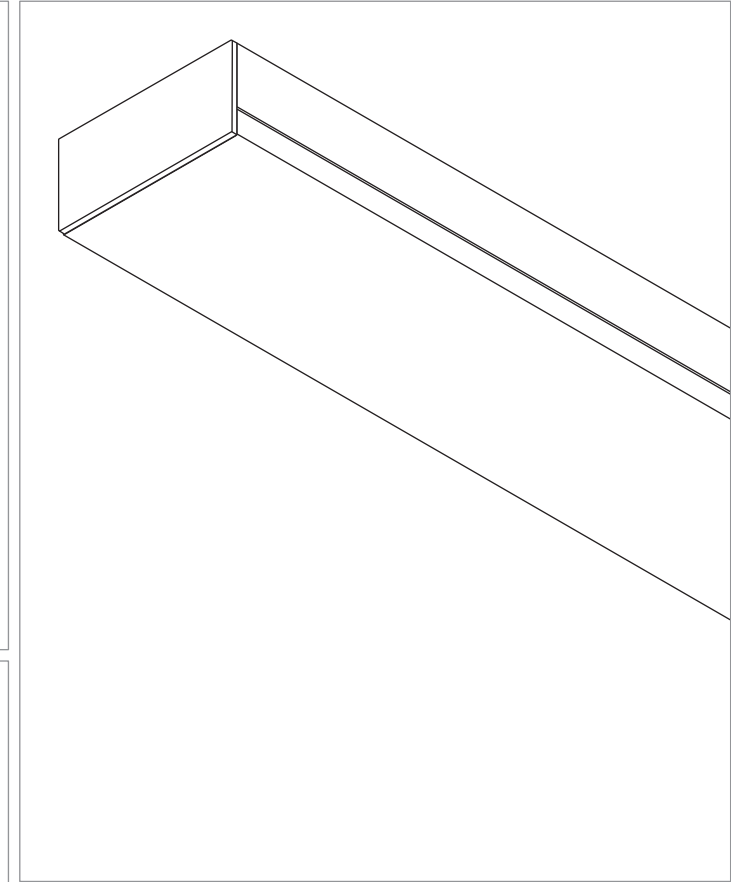
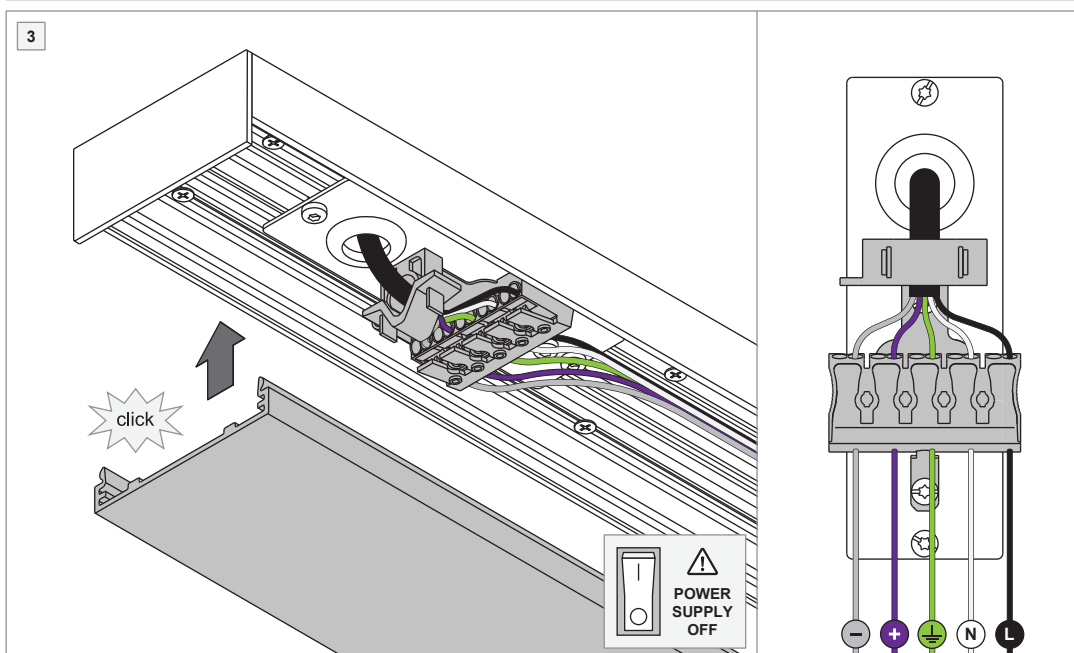
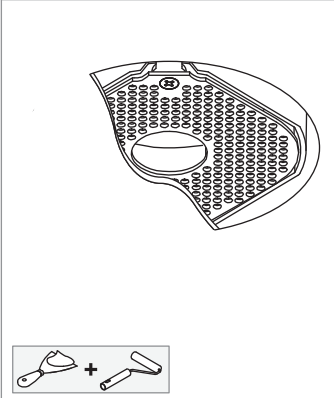
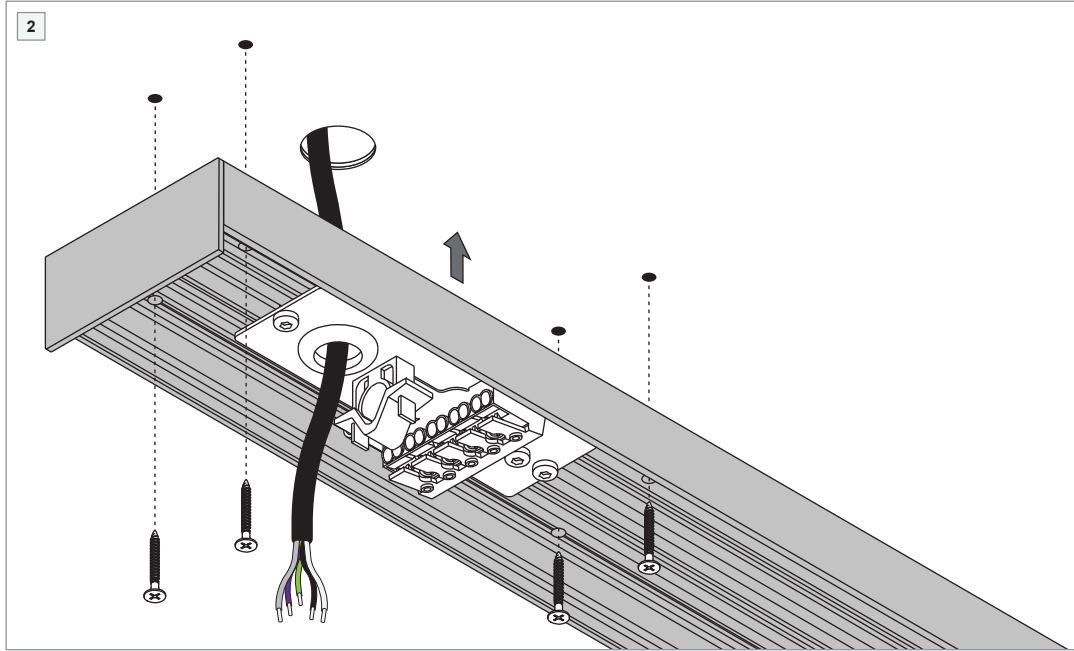
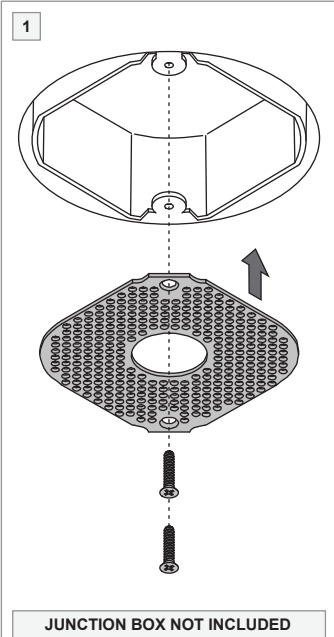
**LED LUMINAIRE SERIES MP3.1 & ACCESSORIES**

For latest version of components and available accessories check [www.supermodular.us](http://www.supermodular.us) or connect with your sales contact.



# MP 3.1 supply junction box

US\_93528100



**INSTALLATION INSTRUCTION**

**IMPORTANT SAFETY INSTRUCTIONS**

- Read all instructions.
- Save these instructions.


**BASIC SAFETY PRECAUTIONS**

- Dry locations only.
- This Luminaire must be mounted or supported independently of an outlet box.

**FOR USE ONLY WITH**

- LED luminaire series MP3.1

**PREVENTING ELECTROSTATIC DAMAGE**

 A discharge of static electricity may damage sensitive components. Always be properly grounded when touching leads or circuitry inside the luminaire. Use a wrist strap connected by a ground cord to the housing. Avoid touching the light sources with bare hands.

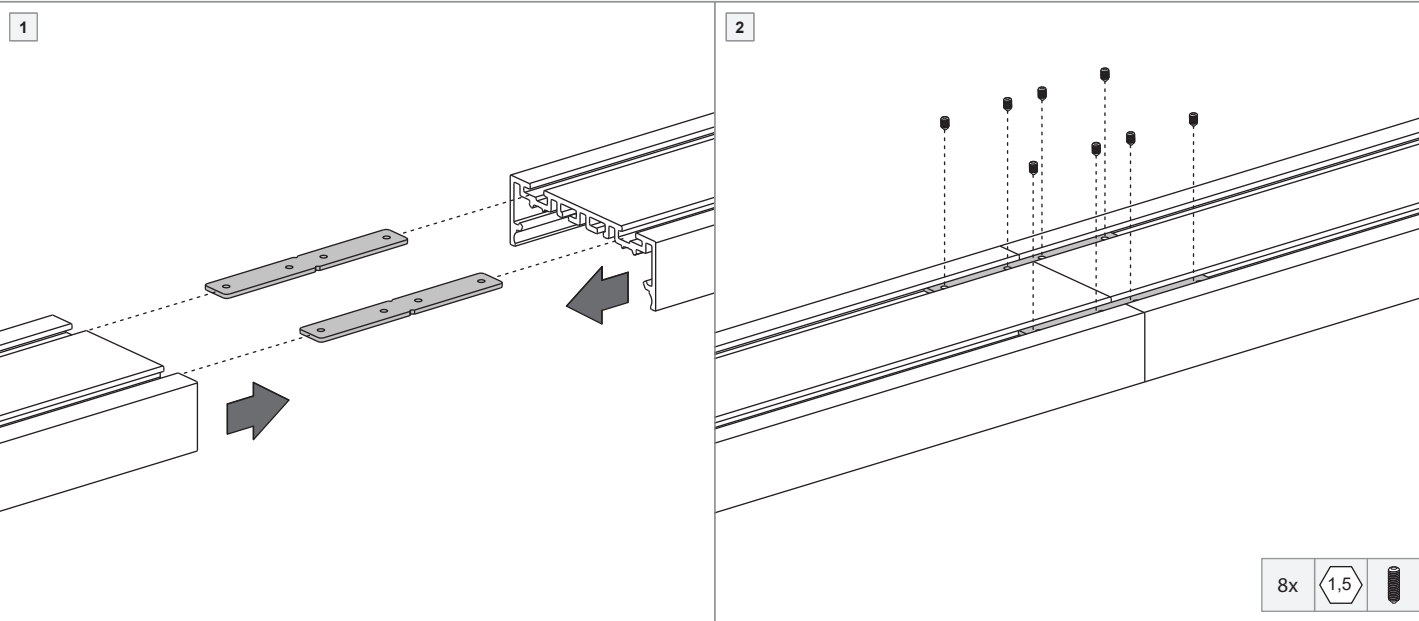
**LED LUMINAIRE SERIES MP3.1 & ACCESSORIES**

For latest version of components and available accessories check [www.supermodular.us](http://www.supermodular.us) or connect with your sales contact.

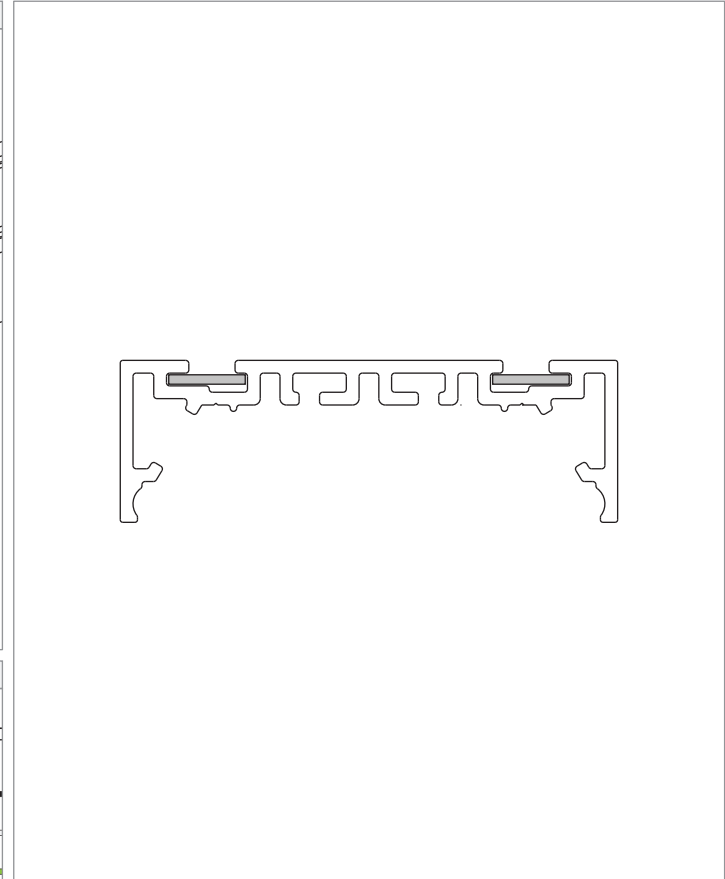
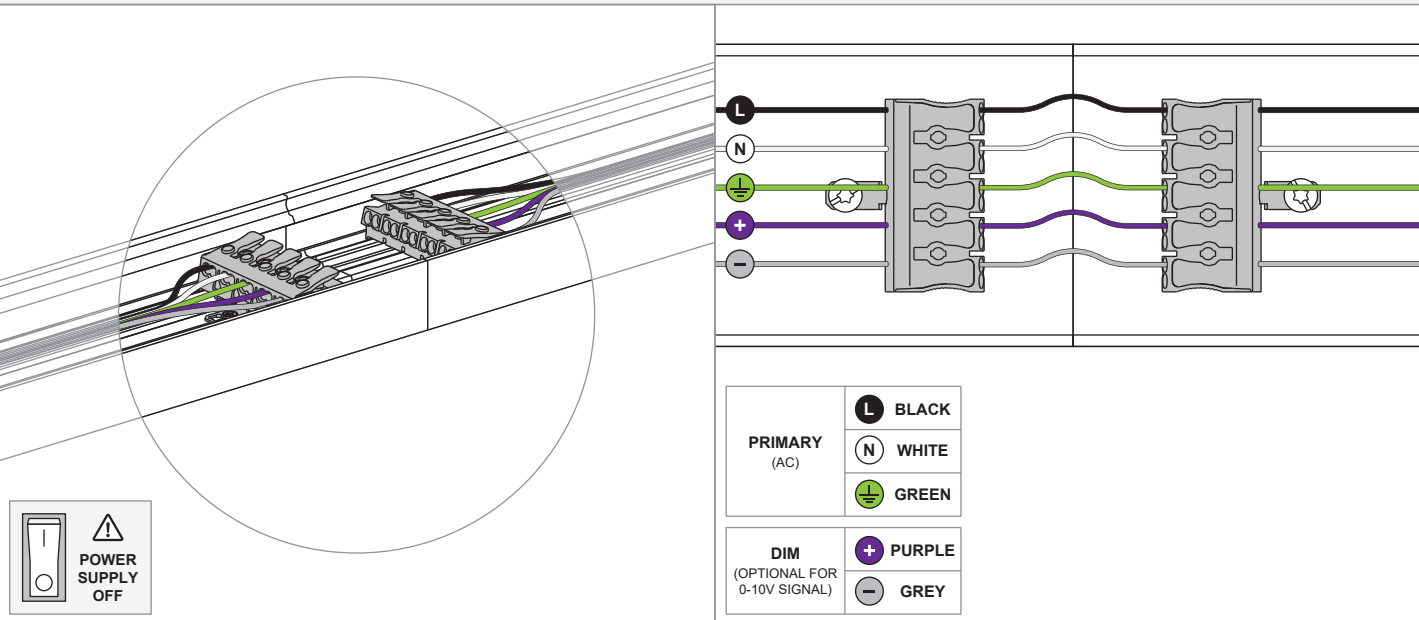
# MP 3.1 connection 180°

US\_93520050

## MECHANICAL CONNECTION



## ELECTRICAL CONNECTION



### INSTALLATION INSTRUCTION

#### IMPORTANT SAFETY INSTRUCTIONS

- Read all instructions.
- Save these instructions.

#### BASIC SAFETY PRECAUTIONS

- Dry locations only.
- This Luminaire must be mounted or supported independently of an outlet box.

#### FOR USE ONLY WITH

- LED luminaire series MP3.1

#### PREVENTING ELECTROSTATIC DAMAGE



A discharge of static electricity may damage sensitive components. Always be properly grounded when touching leads or circuitry inside the luminaire. Use a wrist strap connected by a ground cord to the housing. Avoid touching the light sources with bare hands.

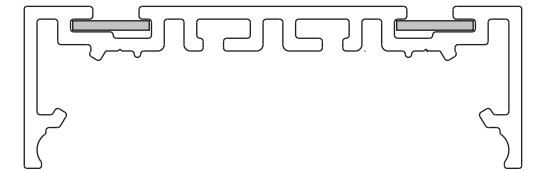
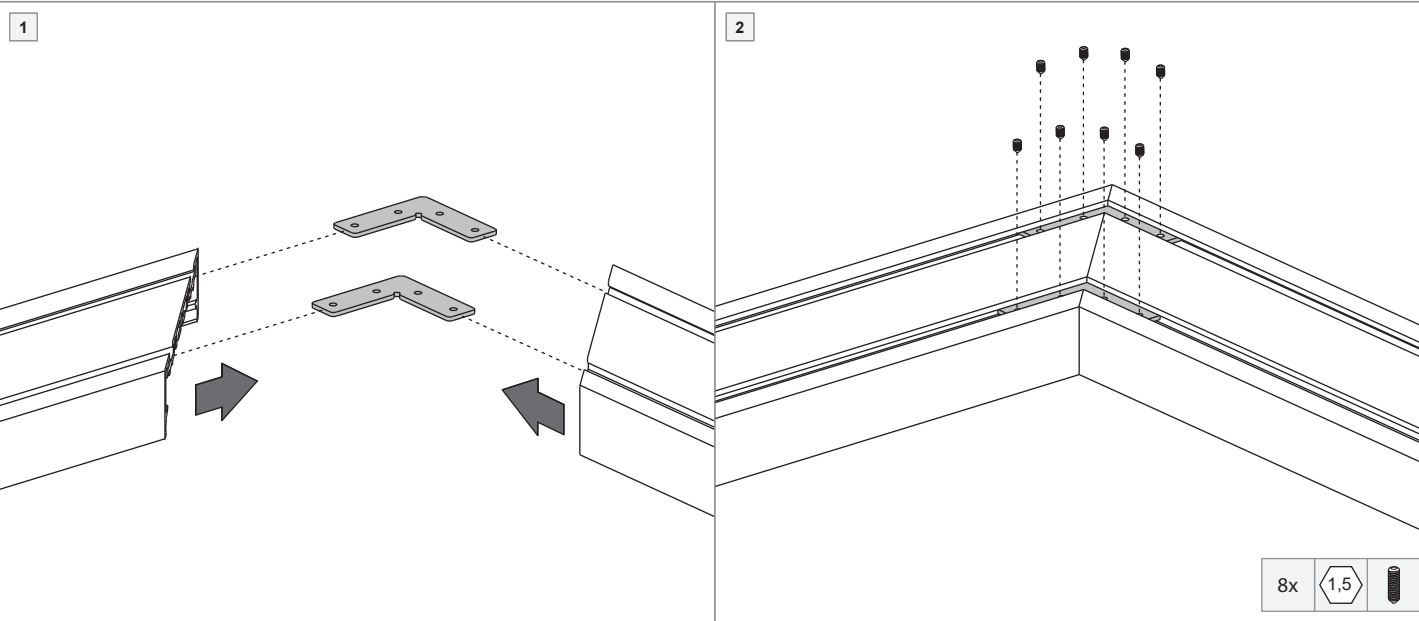
#### LED LUMINAIRE SERIES MP3.1 & ACCESSORIES

For latest version of components and available accessories check [www.supermodular.us](http://www.supermodular.us) or connect with your sales contact.

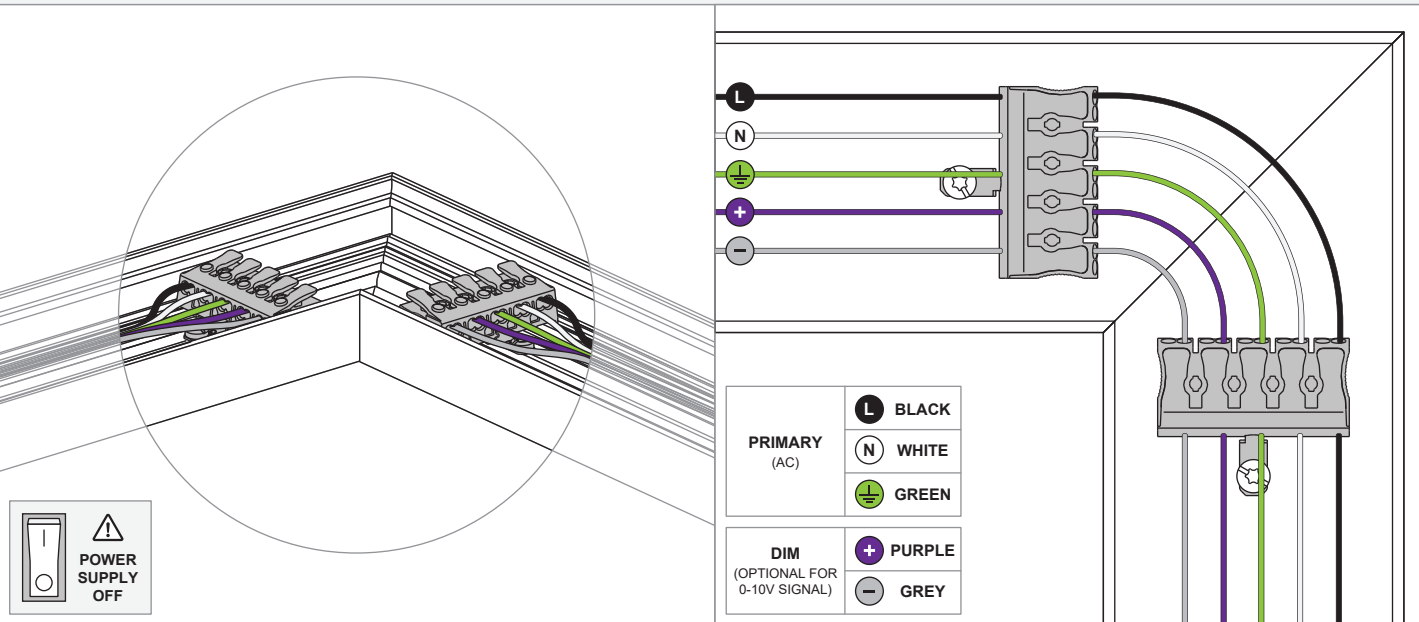
# MP 3.1 connection 90°

US\_93520060

## MECHANICAL CONNECTION



## ELECTRICAL CONNECTION



**INSTALLATION INSTRUCTION**

**IMPORTANT SAFETY INSTRUCTIONS**

- Read all instructions.
- Save these instructions.


**BASIC SAFETY PRECAUTIONS**

- Dry locations only.
- This Luminaire must be mounted or supported independently of an outlet box.

**FOR USE ONLY WITH**

- LED luminaire series MP3.1

**PREVENTING ELECTROSTATIC DAMAGE**

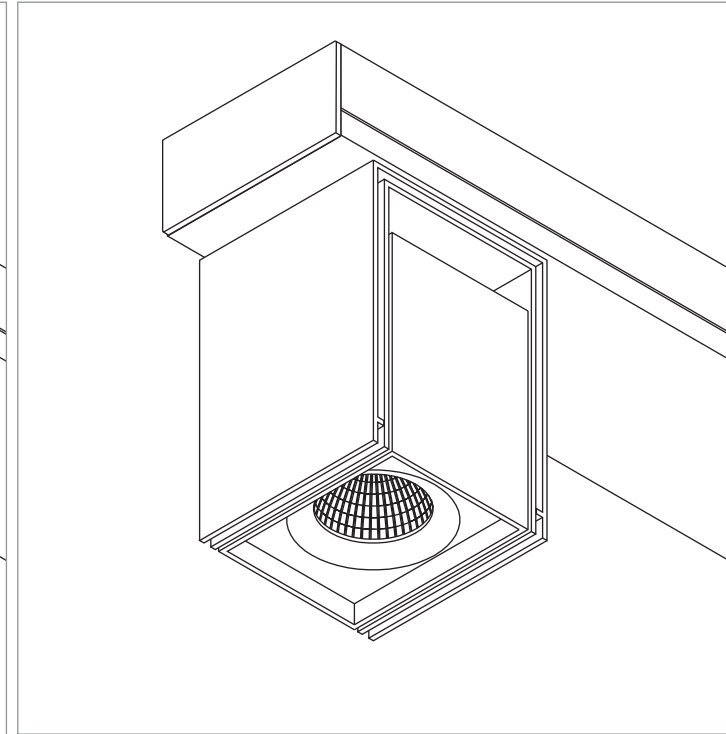
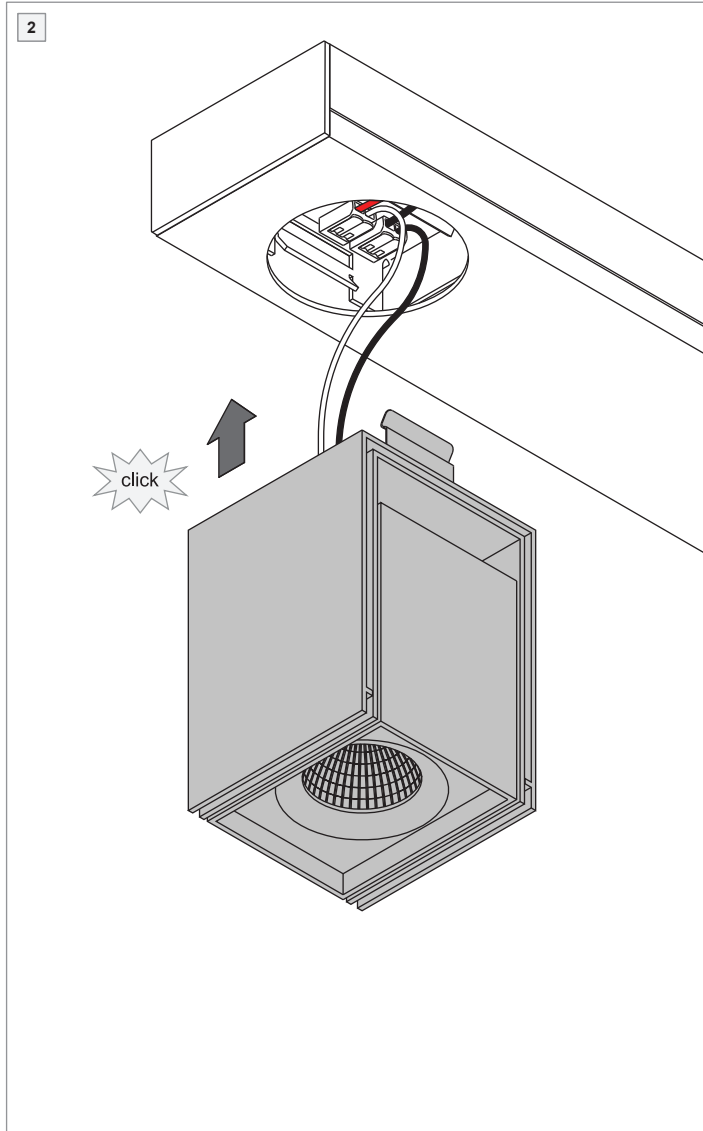
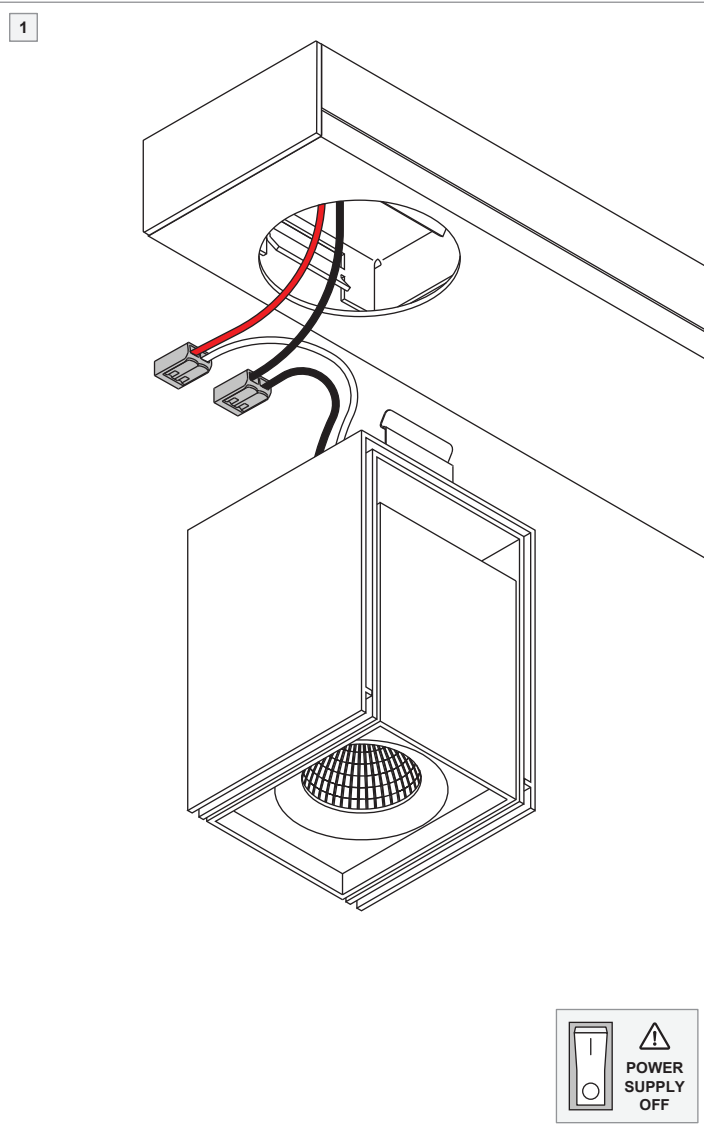
 A discharge of static electricity may damage sensitive components. Always be properly grounded when touching leads or circuitry inside the luminaire. Use a wrist strap connected by a ground cord to the housing. Avoid touching the light sources with bare hands.

**LED LUMINAIRE SERIES MP3.1 & ACCESSORIES**

For latest version of components and available accessories check [www.supermodular.us](http://www.supermodular.us) or connect with your sales contact.

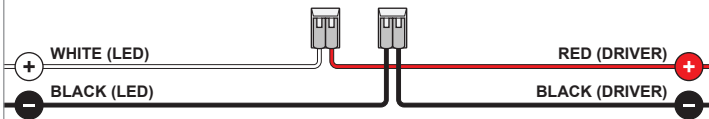
# MP 3.1 Rektor 1x LED DE

US\_935226XX\_US\_935227XX\_US\_935228XX\_US\_935229XX



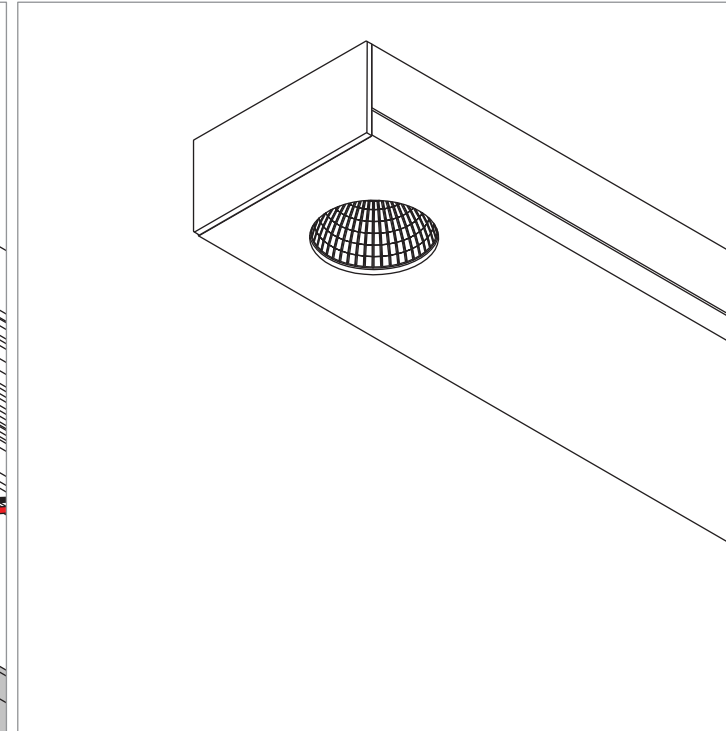
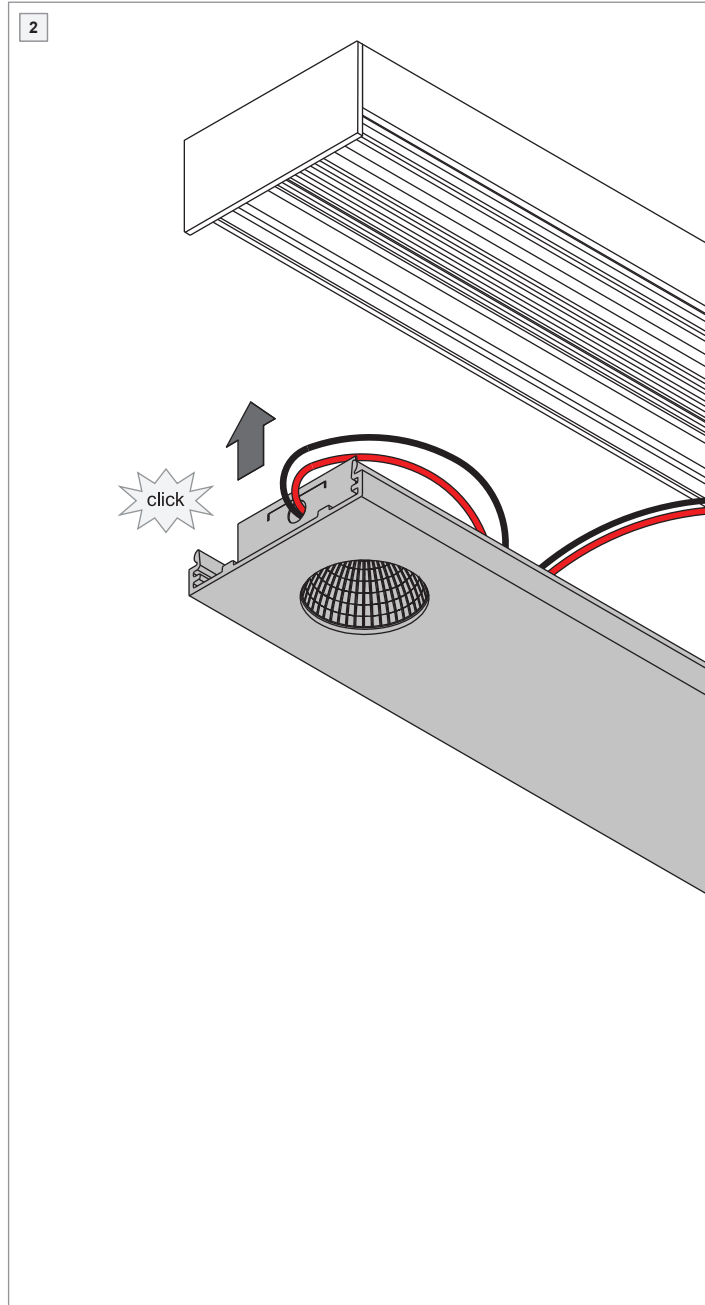
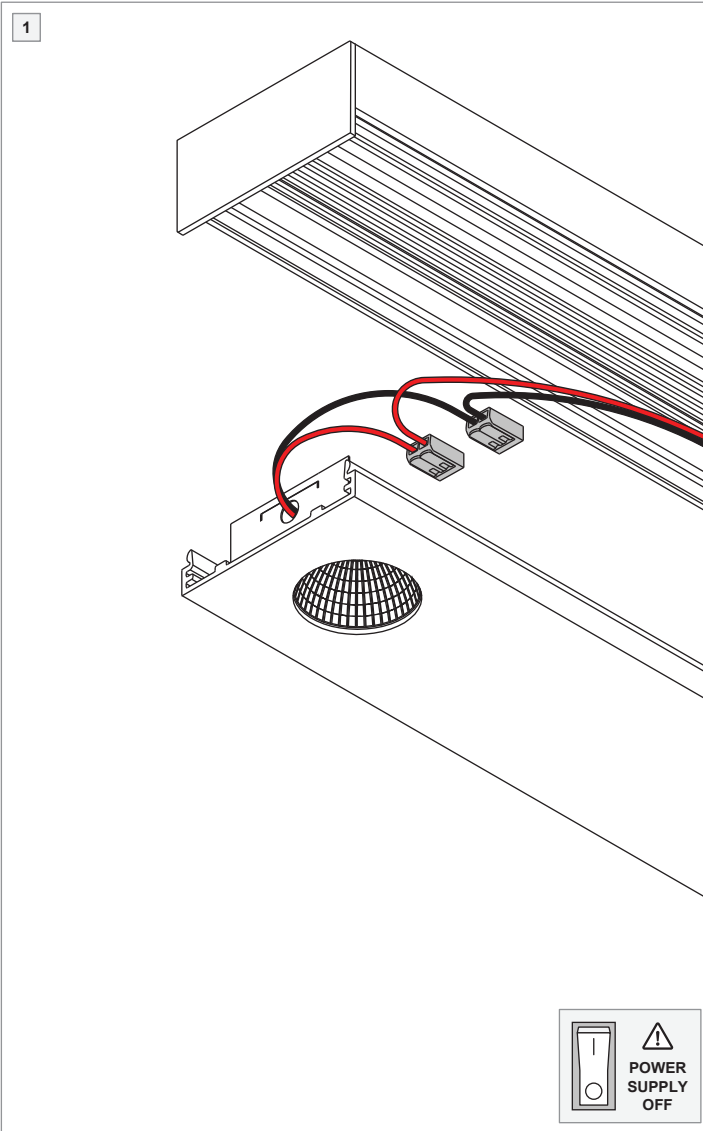
<b>INSTALLATION INSTRUCTION</b>	
<b>IMPORTANT SAFETY INSTRUCTIONS</b>	
<ul style="list-style-type: none"> <li>- Read all instructions.</li> <li>- Save these instructions.</li> </ul>	
<b>BASIC SAFETY PRECAUTIONS</b>	
<ul style="list-style-type: none"> <li>- Dry locations only.</li> <li>- This Luminaire must be mounted or supported independently of an outlet box.</li> </ul>	
<b>FOR USE ONLY WITH</b>	
- LED luminaire series MP3.1	
<b>MUST BE COMBINED WITH</b> <span style="float: right;"><b>(not included)</b></span>	
- MP 3.1 SPOT gear (1x)	
<b>PREVENTING ELECTROSTATIC DAMAGE</b>	
	A discharge of static electricity may damage sensitive components. Always be properly grounded when touching leads or circuitry inside the luminaire. Use a wrist strap connected by a ground cord to the housing. Avoid touching the light sources with bare hands.
<b>LIGHT SOURCE - DO NOT TOUCH LED</b>	
	Touching the LED can result in permanent damage of the light source. The light source contained in this luminaire shall only be replaced by the manufacturer or his service agent or a similar qualified person.
<b>LED LUMINAIRE SERIES MP3.1 &amp; ACCESSORIES</b>	
For latest version of components and available accessories check <a href="http://www.supermodular.us">www.supermodular.us</a> or connect with your sales contact.	

## ELECTRICAL CONNECTION



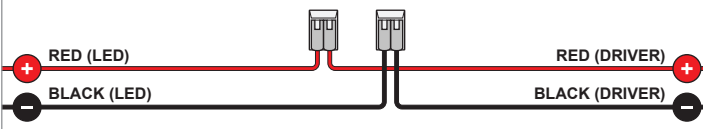
# MP 3.1 1x LED DE

US\_93527132\_US\_93527232\_US\_93527332\_US\_93527432



<b>INSTALLATION INSTRUCTION</b>	
<b>IMPORTANT SAFETY INSTRUCTIONS</b>	
<ul style="list-style-type: none"> <li>- Read all instructions.</li> <li>- Save these instructions.</li> </ul>	
<b>BASIC SAFETY PRECAUTIONS</b>	
<ul style="list-style-type: none"> <li>- Dry locations only.</li> <li>- This Luminaire must be mounted or supported independently of an outlet box.</li> </ul>	
<b>FOR USE ONLY WITH</b>	
- LED luminaire series MP3.1	
<b>MUST BE COMBINED WITH</b> <span style="float: right;">(not included)</span>	
- MP 3.1 SPOT gear (1x)	
<b>PREVENTING ELECTROSTATIC DAMAGE</b>	
	A discharge of static electricity may damage sensitive components. Always be properly grounded when touching leads or circuitry inside the luminaire. Use a wrist strap connected by a ground cord to the housing. Avoid touching the light sources with bare hands.
<b>LIGHT SOURCE - DO NOT TOUCH LED</b>	
	Touching the LED can result in permanent damage of the light source. The light source contained in this luminaire shall only be replaced by the manufacturer or his service agent or a similar qualified person.
<b>LED LUMINAIRE SERIES MP3.1 &amp; ACCESSORIES</b>	
For latest version of components and available accessories check <a href="http://www.supermodular.us">www.supermodular.us</a> or connect with your sales contact.	

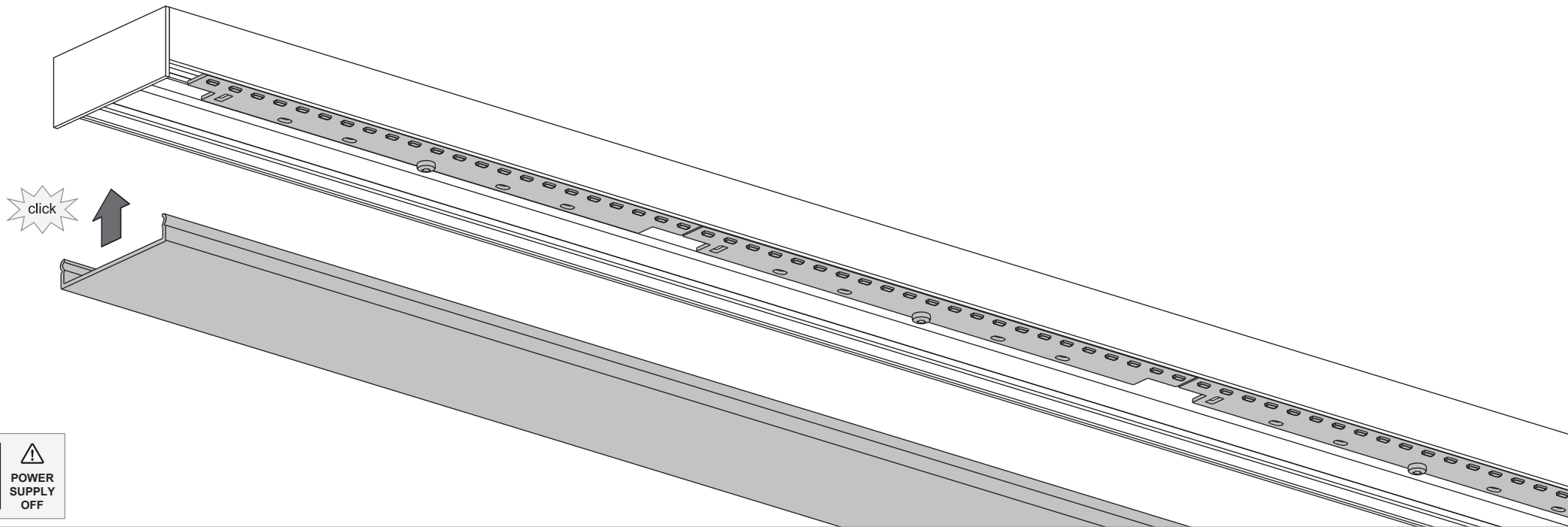
## ELECTRICAL CONNECTION



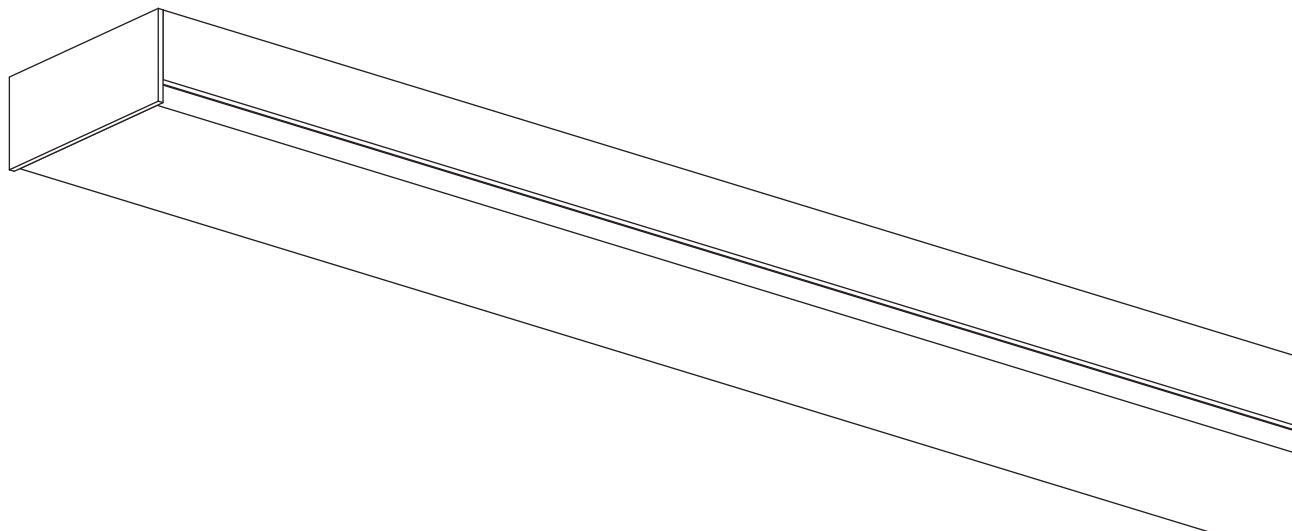
# MP 3.1 LEDLINE DE

US\_935240XX\_US\_935242XX

1



2



## INSTALLATION INSTRUCTION

### IMPORTANT SAFETY INSTRUCTIONS

- Read all instructions.
- Save these instructions.

### BASIC SAFETY PRECAUTIONS

- Dry locations only.
- This Luminaire must be mounted or supported independently of an outlet box.

### FOR USE ONLY WITH

- LED luminaire series MP3.1

### MUST BE COMBINED WITH

(not included)

- MP 3.1 LEDLINE gear (1x)



### PREVENTING ELECTROSTATIC DAMAGE

A discharge of static electricity may damage sensitive components. Always be properly grounded when touching leads or circuitry inside the luminaire. Use a wrist strap connected by a ground cord to the housing. Avoid touching the light sources with bare hands.



### LIGHT SOURCE - DO NOT TOUCH LED

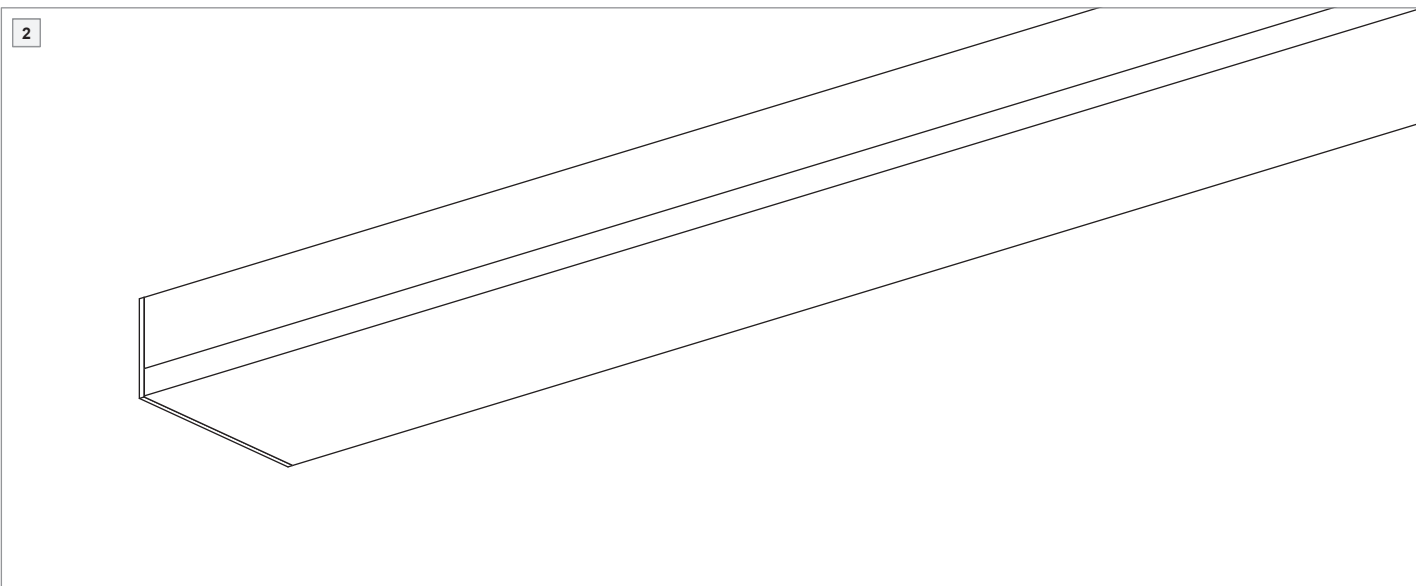
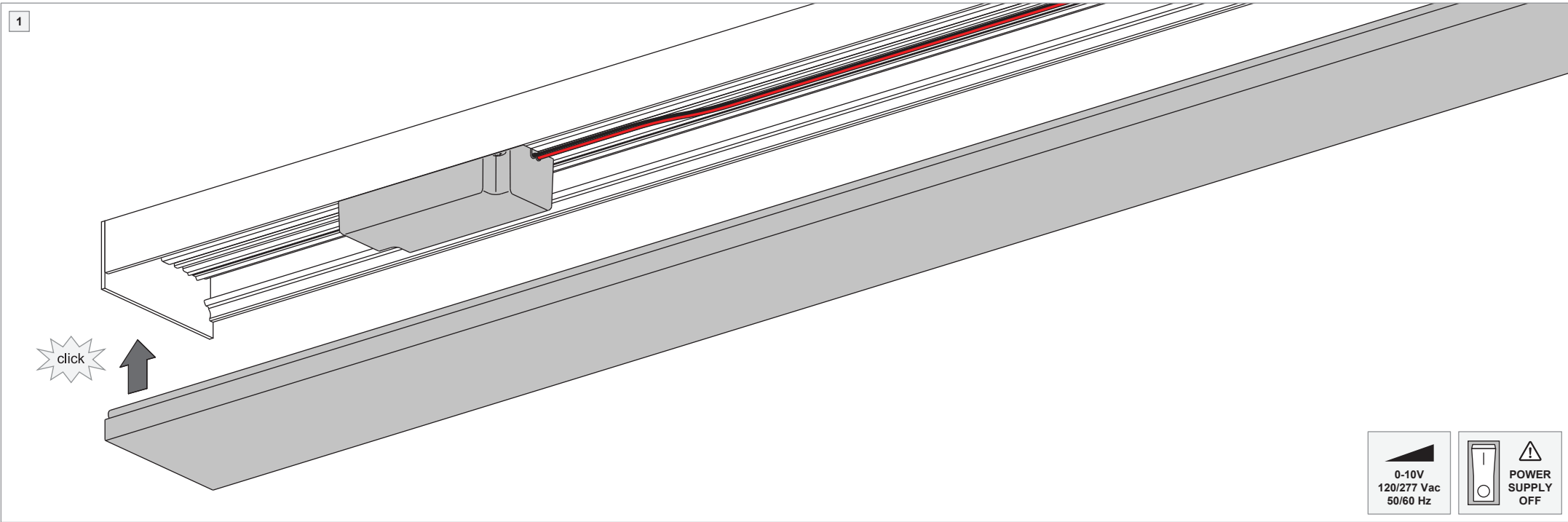
Touching the LED can result in permanent damage of the light source. The light source contained in this luminaire shall only be replaced by the manufacturer or his service agent or a similar qualified person.

### LED LUMINAIRE SERIES MP3.1 & ACCESSORIES

For latest version of components and available accessories check [www.supermodular.us](http://www.supermodular.us) or connect with your sales contact.

# MP 3.1 SPOT gear 0-10V

US\_93529202



## INSTALLATION INSTRUCTION

### IMPORTANT SAFETY INSTRUCTIONS

- Read all instructions.
- Save these instructions.

### BASIC SAFETY PRECAUTIONS

- Dry locations only.
- This Luminaire must be mounted or supported independently of an outlet box.

### FOR USE ONLY WITH

- LED luminaire series MP3.1

### MUST BE COMBINED WITH

(not included)

- MP 3.1 1x LED (1x), or
- MP 3.1 Rektor 1x LED (1x)



### PREVENTING ELECTROSTATIC DAMAGE

A discharge of static electricity may damage sensitive components. Always be properly grounded when touching leads or circuitry inside the luminaire. Use a wrist strap connected by a ground cord to the housing. Avoid touching the light sources with bare hands.



### LIGHT SOURCE - DO NOT TOUCH LED

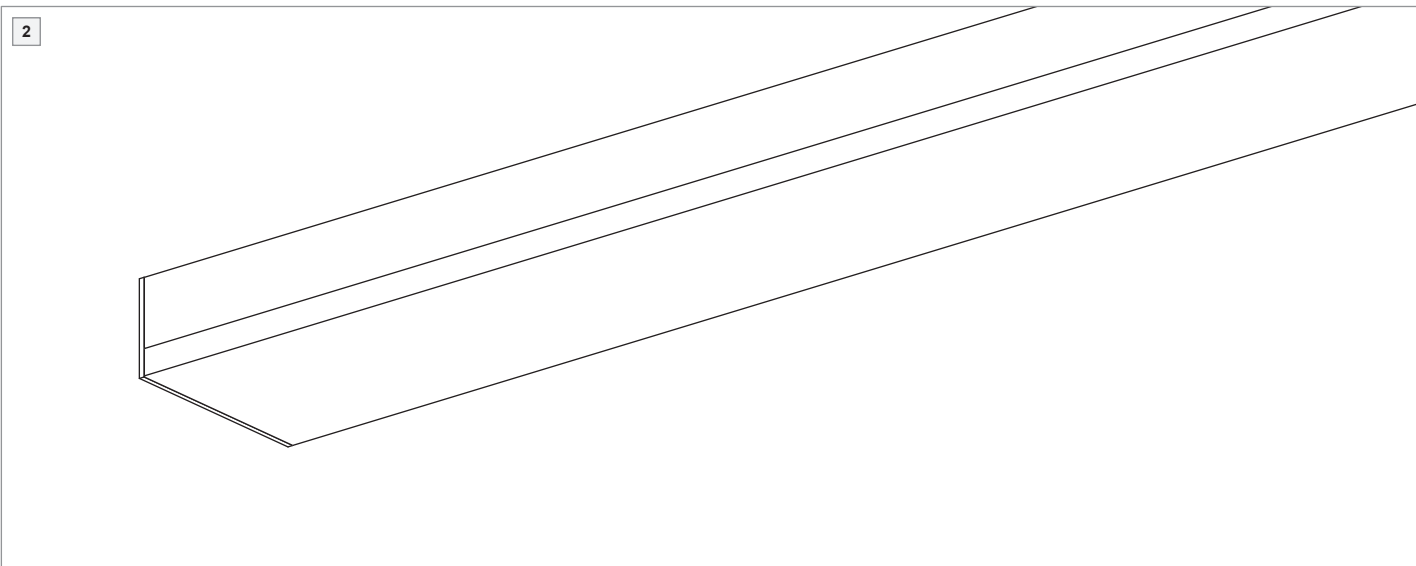
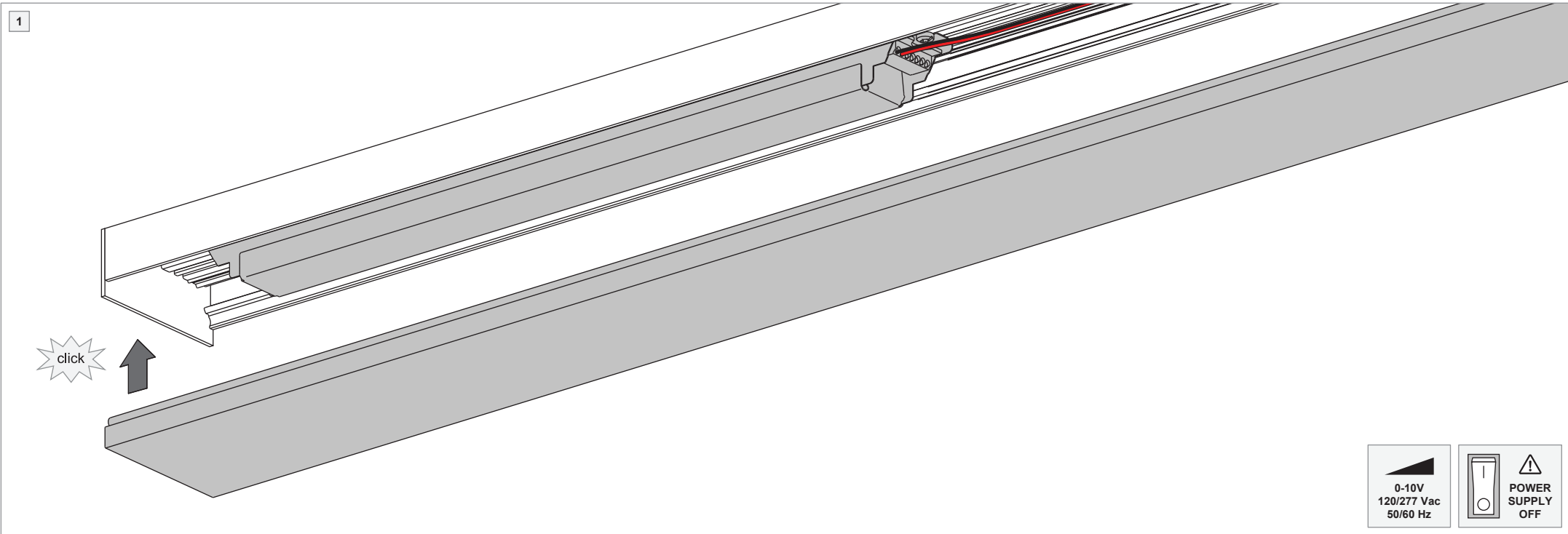
Touching the LED can result in permanent damage of the light source. The light source contained in this luminaire shall only be replaced by the manufacturer or his service agent or a similar qualified person.

### LED LUMINAIRE SERIES MP3.1 & ACCESSORIES

For latest version of components and available accessories check [www.supermodular.us](http://www.supermodular.us) or connect with your sales contact.

# MP 3.1 LEDLINE gear 0-10V

US\_93529203\_US\_93529204\_US\_93529205\_US\_93529206\_US\_93529207\_US\_93529208



## INSTALLATION INSTRUCTION

### IMPORTANT SAFETY INSTRUCTIONS

- Read all instructions.
- Save these instructions.

### BASIC SAFETY PRECAUTIONS

- Dry locations only.
- This Luminaire must be mounted or supported independently of an outlet box.

### FOR USE ONLY WITH

- LED luminaire series MP3.1

### MUST BE COMBINED WITH

(not included)

- MP 3.1 LEDLINE (1x)



### PREVENTING ELECTROSTATIC DAMAGE

A discharge of static electricity may damage sensitive components. Always be properly grounded when touching leads or circuitry inside the luminaire. Use a wrist strap connected by a ground cord to the housing. Avoid touching the light sources with bare hands.



### LIGHT SOURCE - DO NOT TOUCH LED

Touching the LED can result in permanent damage of the light source. The light source contained in this luminaire shall only be replaced by the manufacturer or his service agent or a similar qualified person.

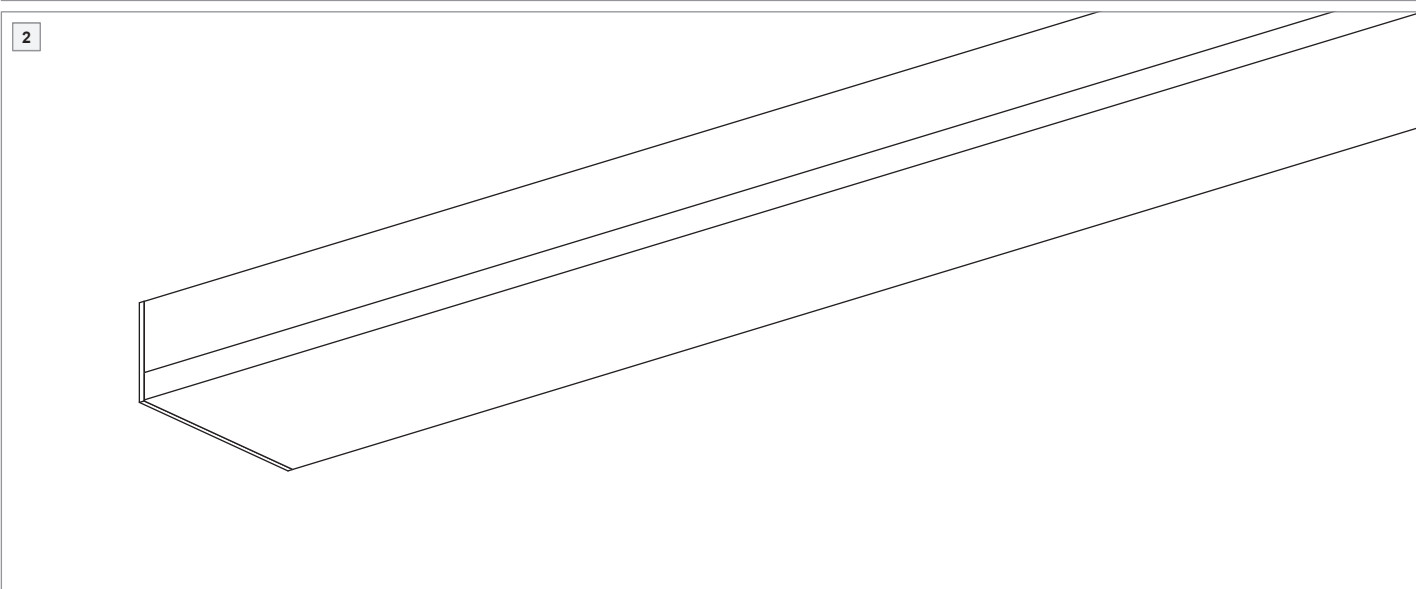
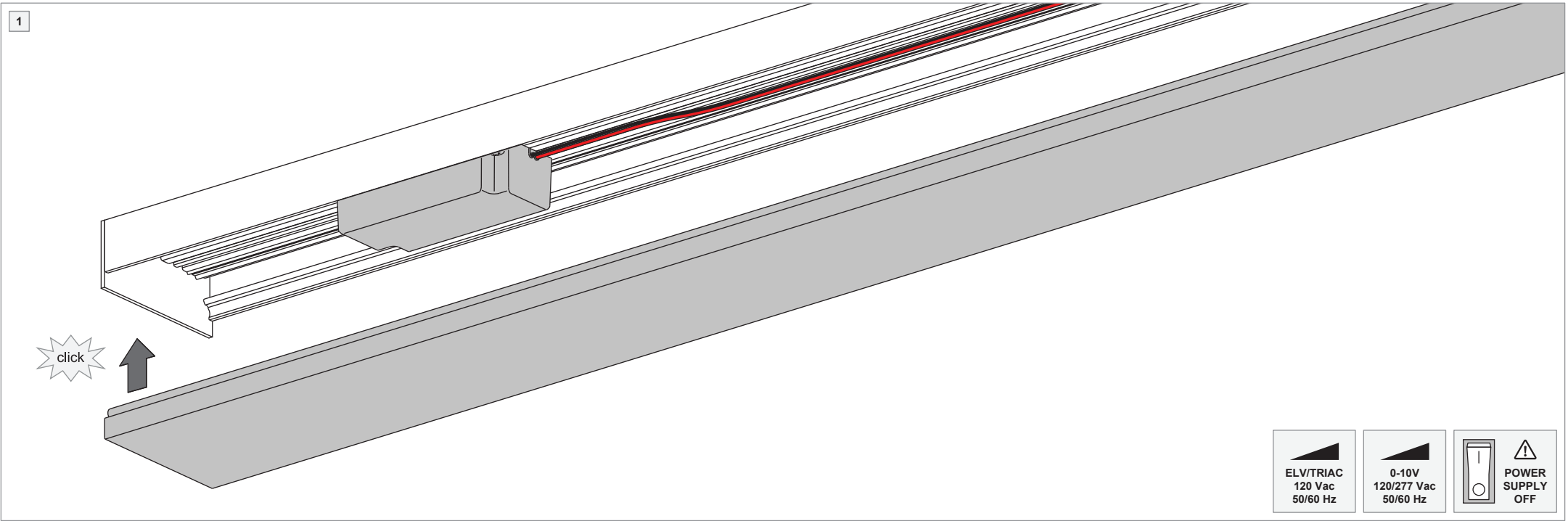
### LED LUMINAIRE SERIES MP3.1 & ACCESSORIES

For latest version of components and available accessories check [www.supermodular.us](http://www.supermodular.us) or connect with your sales contact.



# MP 3.1 SPOT gear Tre dim

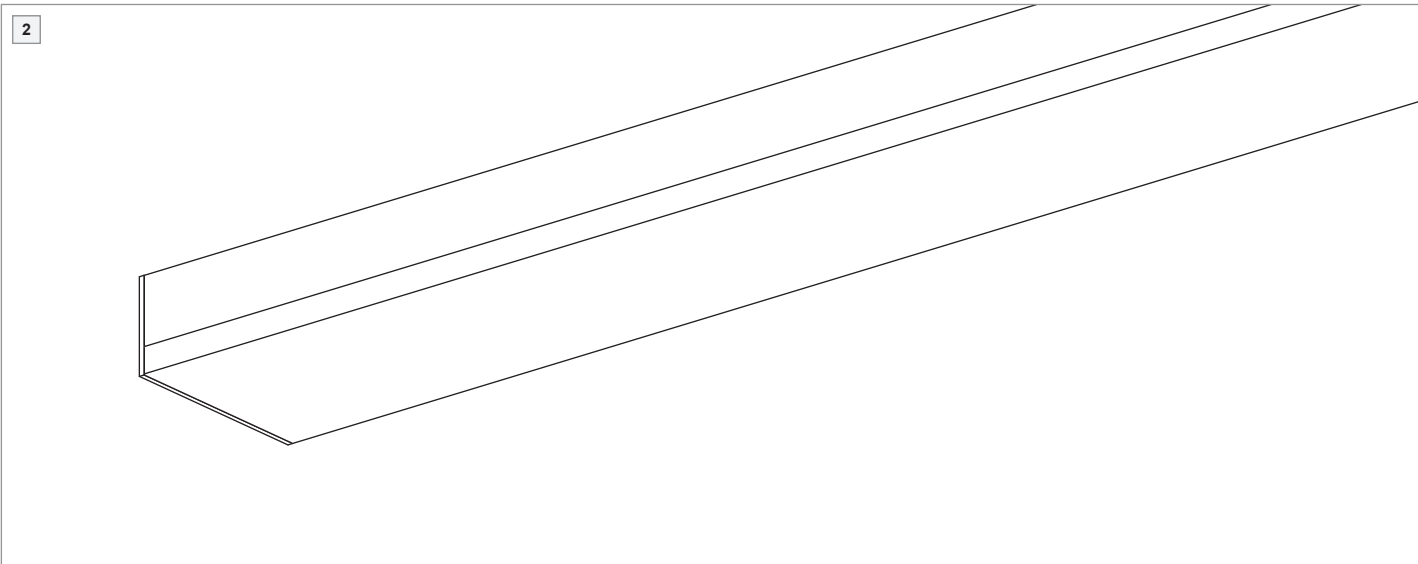
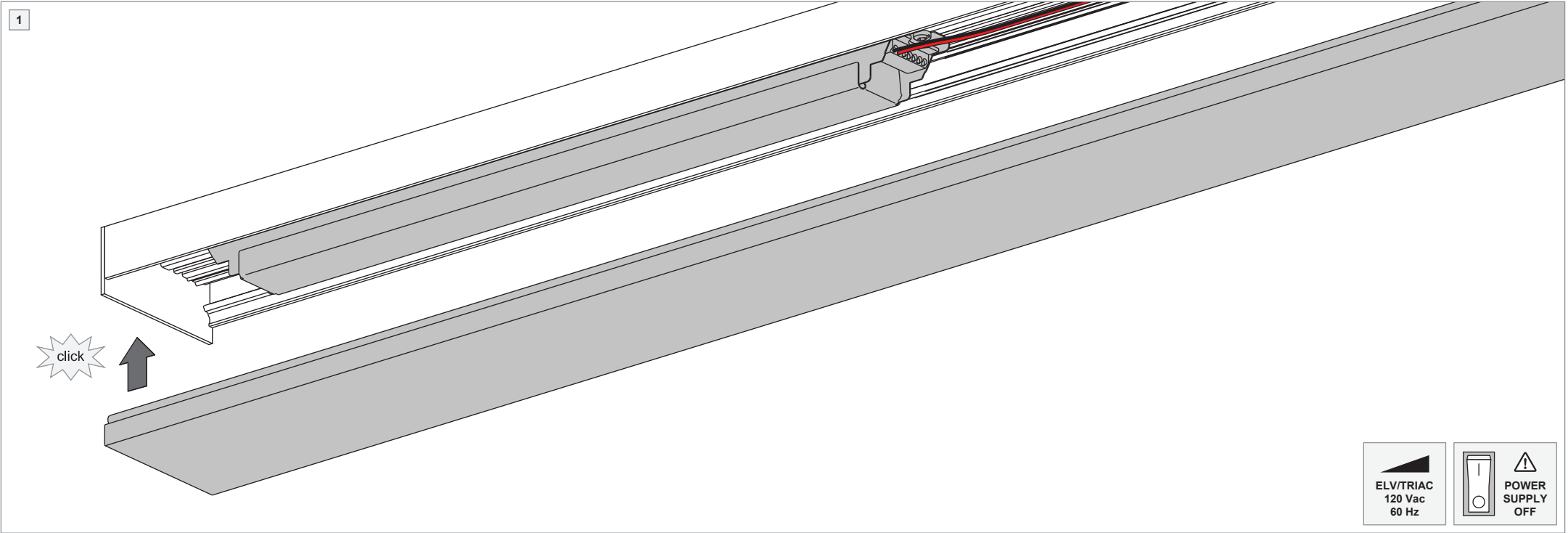
US\_93529302



<b>INSTALLATION INSTRUCTION</b>	
<b>IMPORTANT SAFETY INSTRUCTIONS</b>	
- Read all instructions. - Save these instructions.	
<b>BASIC SAFETY PRECAUTIONS</b>	
- Dry locations only. - This Luminaire must be mounted or supported independently of an outlet box.	
<b>FOR USE ONLY WITH</b>	
- LED luminaire series MP3.1	
<b>MUST BE COMBINED WITH</b> <span style="float: right;">(not included)</span>	
- MP 3.1 1x LED (1x), or - MP 3.1 Rektor 1x LED (1x)	
	<b>PREVENTING ELECTROSTATIC DAMAGE</b> A discharge of static electricity may damage sensitive components. Always be properly grounded when touching leads or circuitry inside the luminaire. Use a wrist strap connected by a ground cord to the housing. Avoid touching the light sources with bare hands.
	<b>LIGHT SOURCE - DO NOT TOUCH LED</b> Touching the LED can result in permanent damage of the light source. The light source contained in this luminaire shall only be replaced by the manufacturer or his service agent or a similar qualified person.
<b>LED LUMINAIRE SERIES MP3.1 &amp; ACCESSORIES</b>	
For latest version of components and available accessories check <a href="http://www.supermodular.us">www.supermodular.us</a> or connect with your sales contact.	

# MP 3.1 LEDLINE gear Tre dim

US\_93529303\_US\_93529304\_US\_93529305\_US\_93529306



## INSTALLATION INSTRUCTION

### IMPORTANT SAFETY INSTRUCTIONS

- Read all instructions.
- Save these instructions.

### BASIC SAFETY PRECAUTIONS

- Dry locations only.
- This Luminaire must be mounted or supported independently of an outlet box.

### FOR USE ONLY WITH

- LED luminaire series MP3.1

### MUST BE COMBINED WITH

(not included)

- MP 3.1 LEDLINE (1x)



### PREVENTING ELECTROSTATIC DAMAGE

A discharge of static electricity may damage sensitive components. Always be properly grounded when touching leads or circuitry inside the luminaire. Use a wrist strap connected by a ground cord to the housing. Avoid touching the light sources with bare hands.



### LIGHT SOURCE - DO NOT TOUCH LED

Touching the LED can result in permanent damage of the light source. The light source contained in this luminaire shall only be replaced by the manufacturer or his service agent or a similar qualified person.

### LED LUMINAIRE SERIES MP3.1 & ACCESSORIES

For latest version of components and available accessories check [www.supermodular.us](http://www.supermodular.us) or connect with your sales contact.