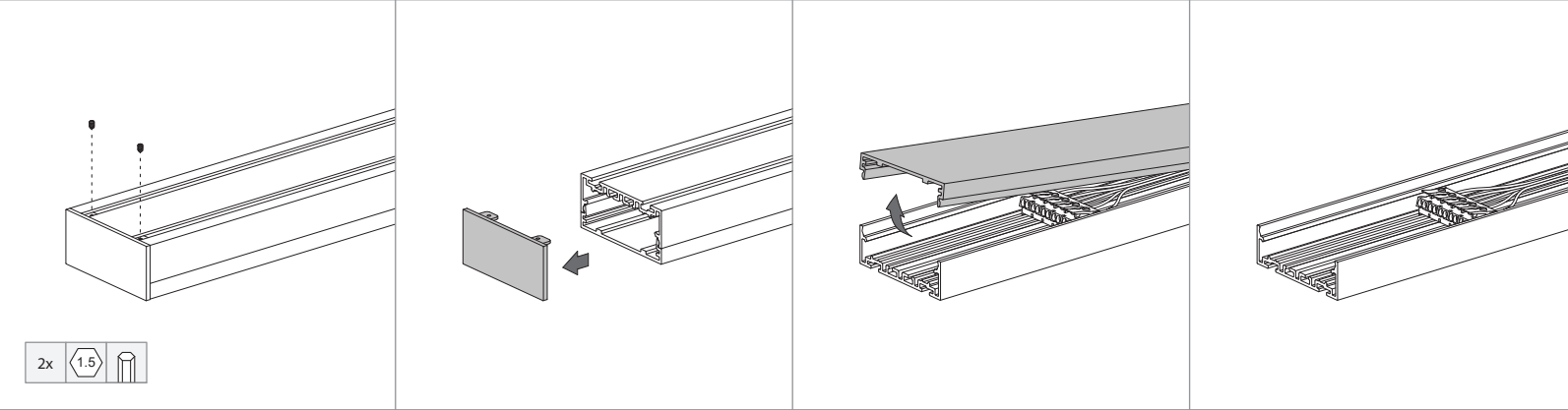


# MP 3.1 - preparation

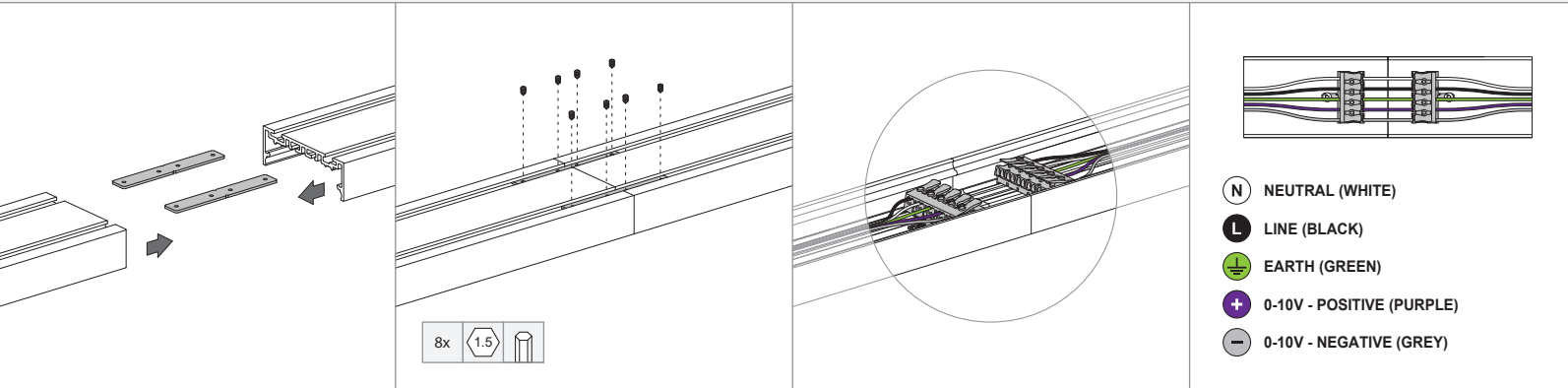
US\_9352XXXX

## Remove an endplate to click the aluminum cover out of the base profile.



2x 1.5

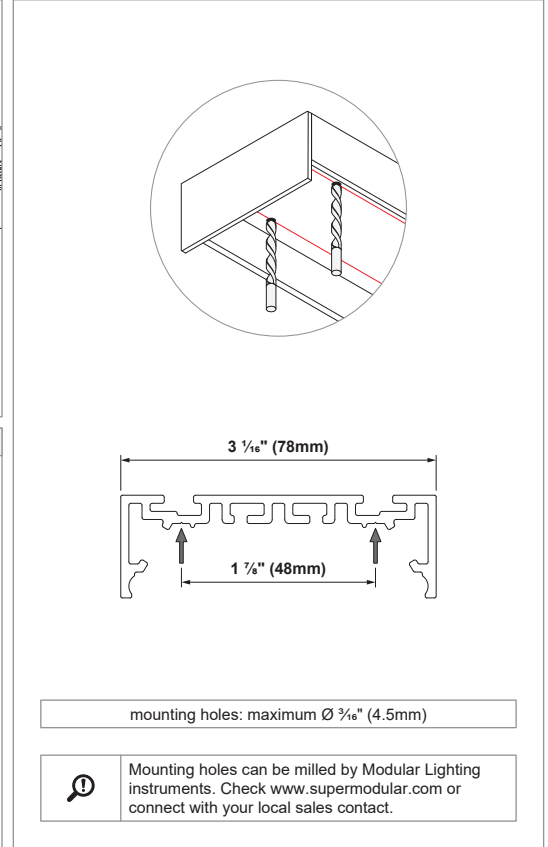
## Make the 180° connections (optional).



8x 1.5

- N** NEUTRAL (WHITE)
- L** LINE (BLACK)
- ⊖** EARTH (GREEN)
- +** 0-10V - POSITIVE (PURPLE)
- 0-10V - NEGATIVE (GREY)

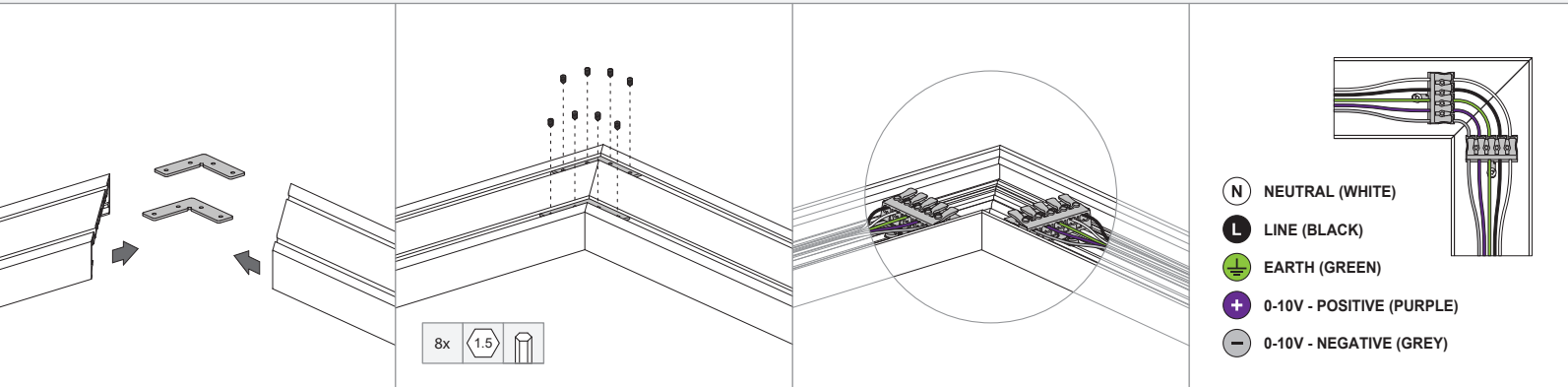
## Drill mounting holes in the base profile (surface installation only).



mounting holes: maximum Ø 3/8" (4.5mm)

Mounting holes can be milled by Modular Lighting instruments. Check [www.supermodular.com](http://www.supermodular.com) or connect with your local sales contact.

## Make the 90° connections (optional).



8x 1.5

- N** NEUTRAL (WHITE)
- L** LINE (BLACK)
- ⊖** EARTH (GREEN)
- +** 0-10V - POSITIVE (PURPLE)
- 0-10V - NEGATIVE (GREY)

## INSTALLATION INSTRUCTION

- Read all instructions.
  - Save these instructions.
- ### BASIC SAFETY PRECAUTIONS
- Dry locations only.
  - Must be mounted or supported independently of an outlet box.

### PREVENTING ELECTROSTATIC DAMAGE

- A discharge of static electricity may damage sensitive components. Always be properly grounded when touching leads or circuitry inside the luminaire. Use a wrist strap connected by a ground cord to the housing. Avoid touching the light sources with bare hands.
- Make sure power is off when making or changing primary and secondary electrical connections. Always respect the polarity.

### MP3.1 PROFILE SYSTEM

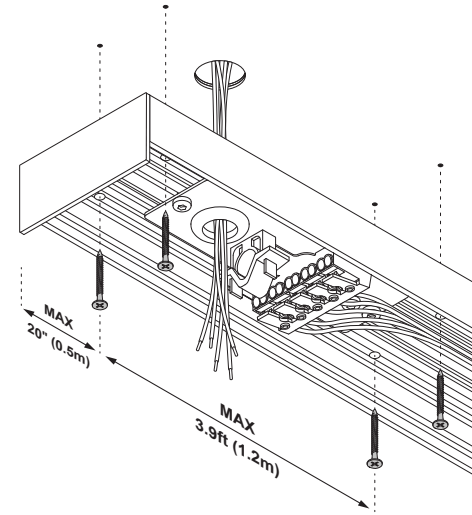
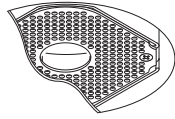
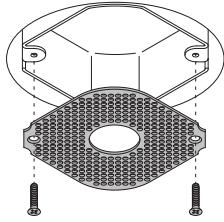
For latest version of all system components and possibilities check [www.supermodular.com](http://www.supermodular.com) or connect with your sales contact.



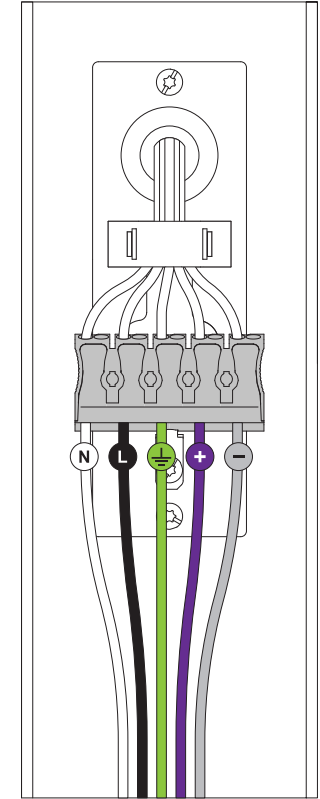
# MP 3.1 - surface installation

US\_9352XXXX

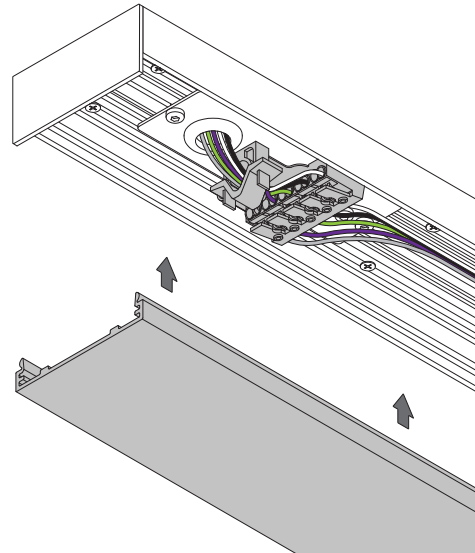
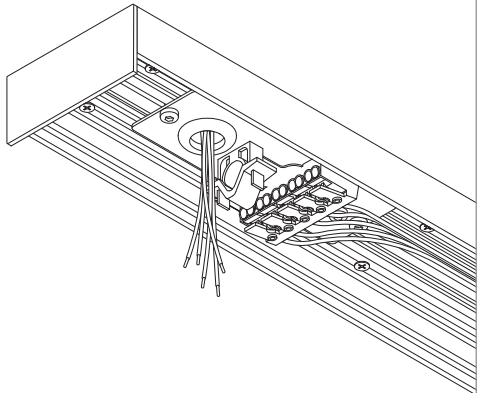
## Mount the base profile.



## Electrical connection.



## Make the electrical connection and click the covers back into the base profile.



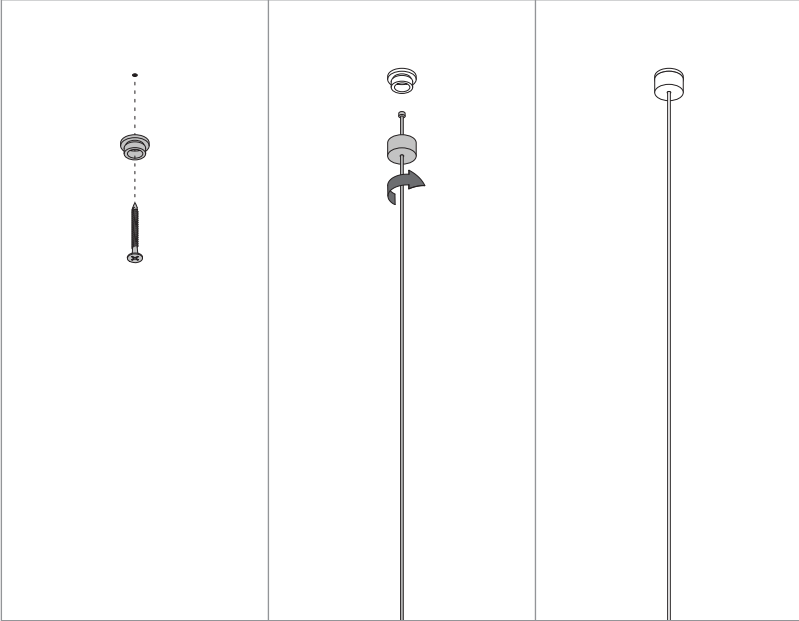
see last page for finishing:  
- diffuser and cover in combination with linear module  
- cover in combination with spotlight module  
- cover in combination with Rektor module

- NEUTRAL (WHITE)
- LINE (BLACK)
- EARTH (GREEN)
- 0-10V - POSITIVE (PURPLE)
- 0-10V - NEGATIVE (GREY)

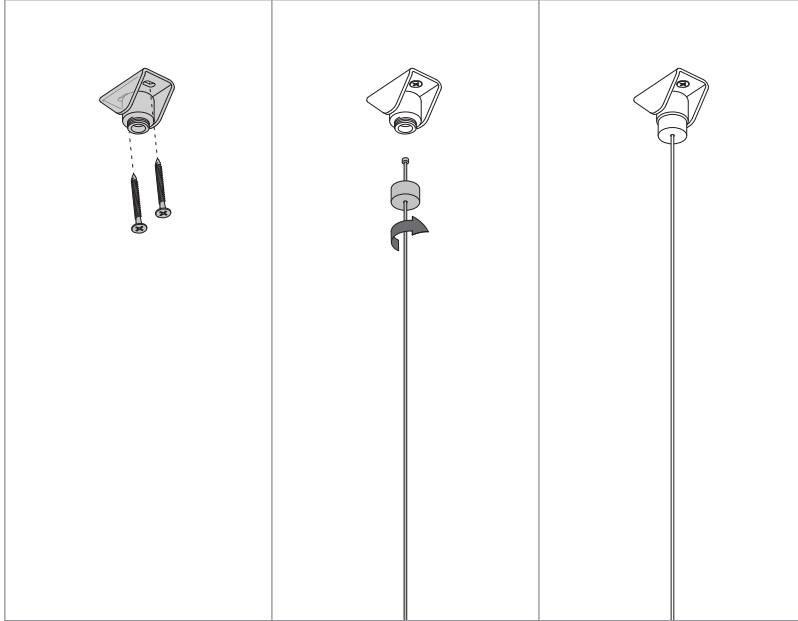
# MP 3.1 - suspended installation (1/2)

US\_9352XXXX

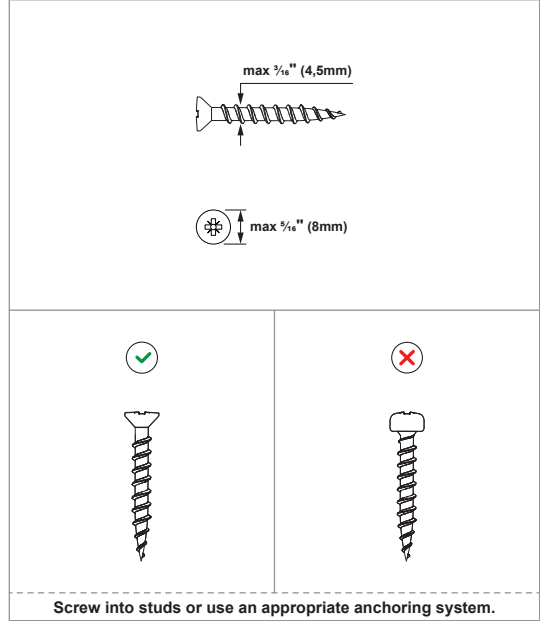
## Mount the cable holders to the ceiling.



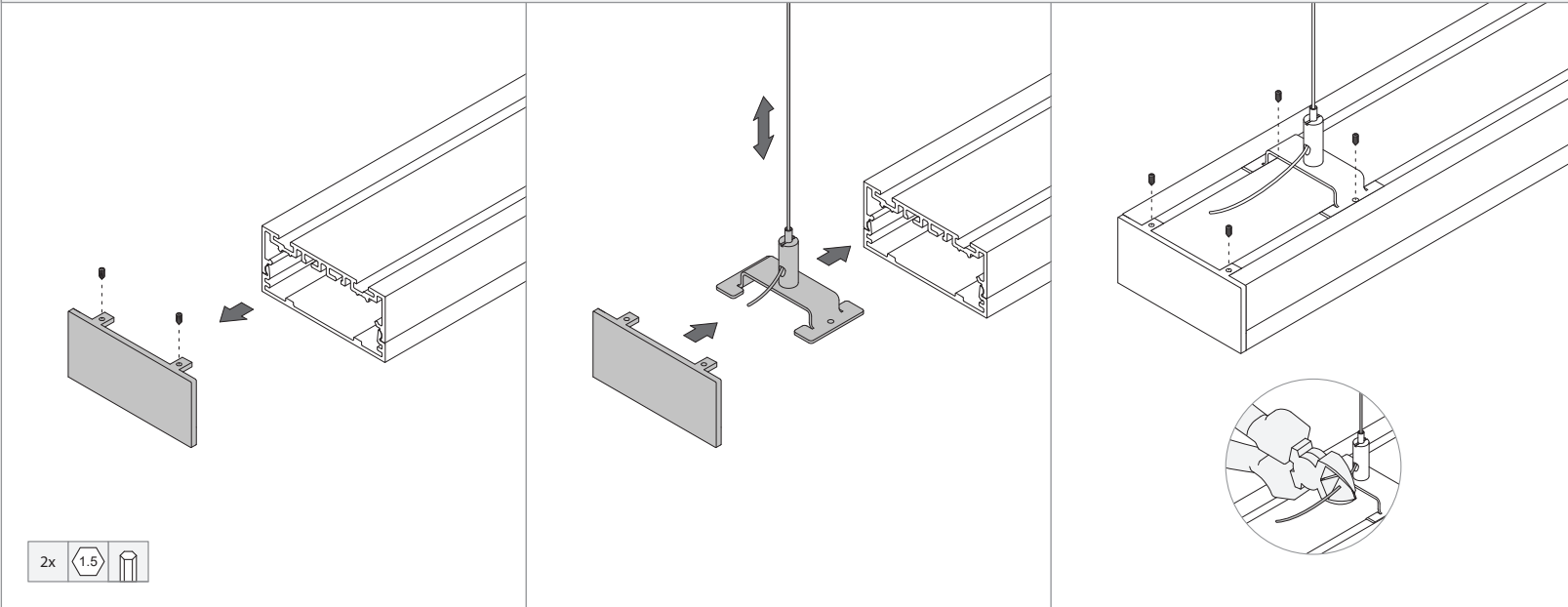
## Cable holders can be combined with additional hinges for sloped ceilings (optional).



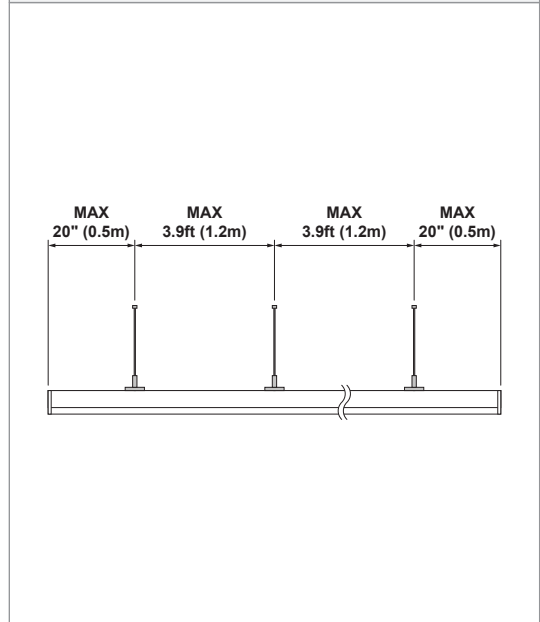
## Mounting screws (not included).



## Add the steel cables to the base profile.



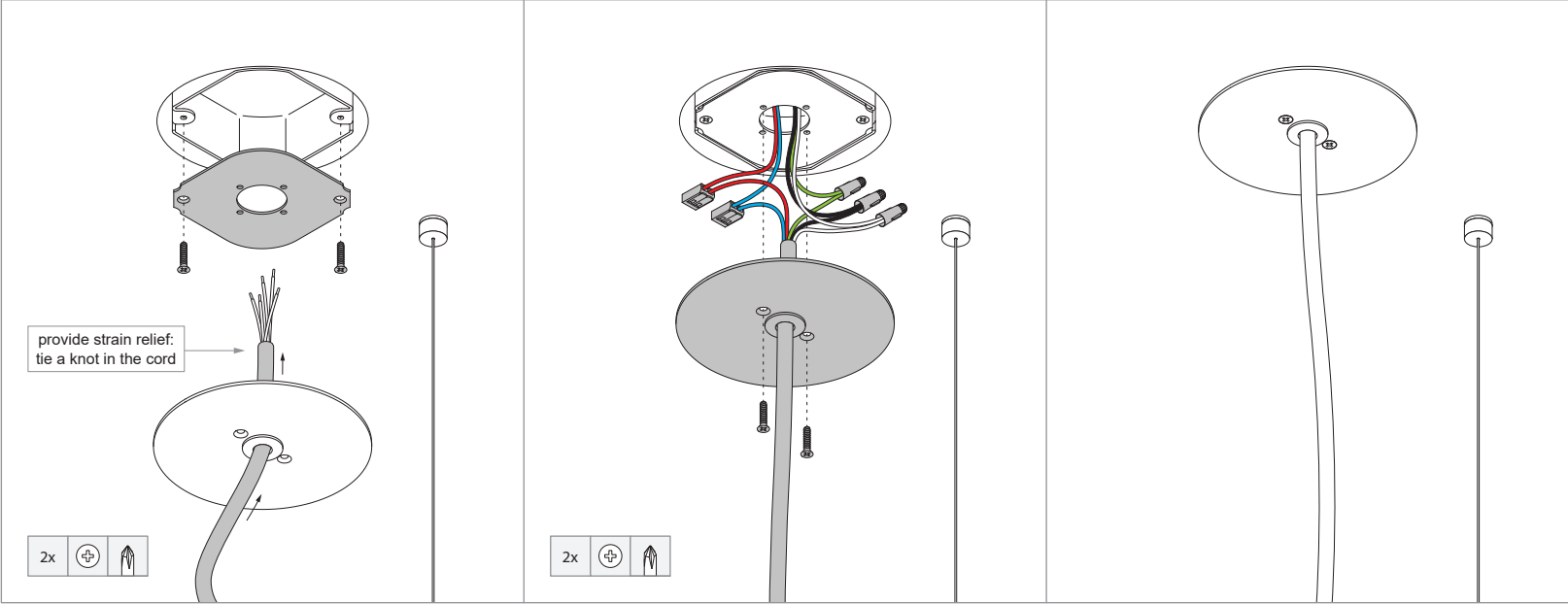
## Fixation points (minimum amount).



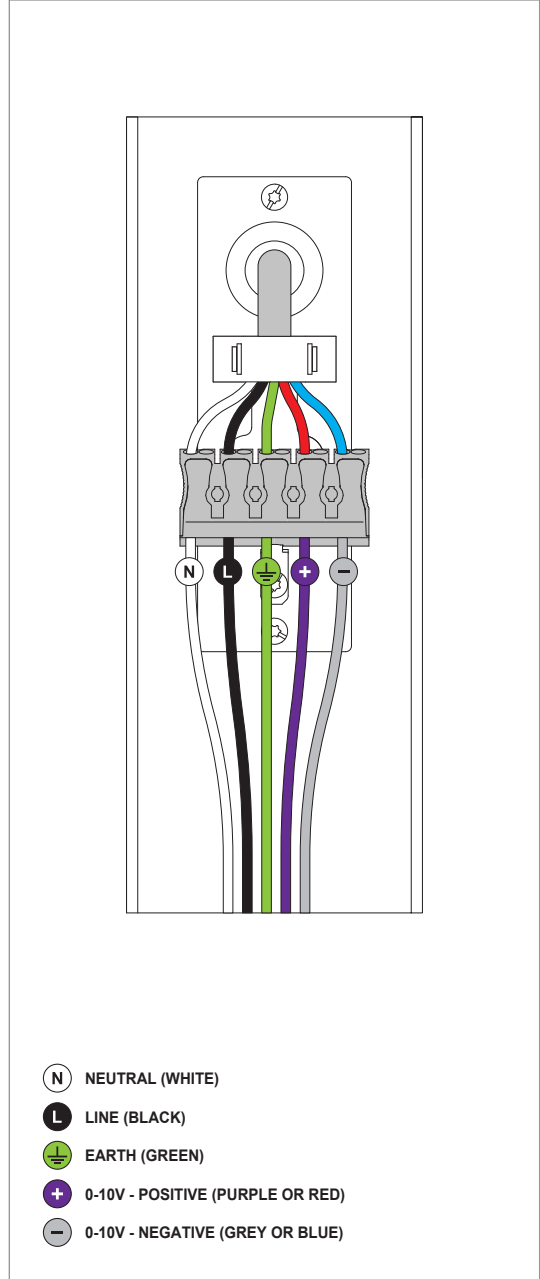
# MP 3.1 - suspended installation (2/2)

US\_9352XXXX

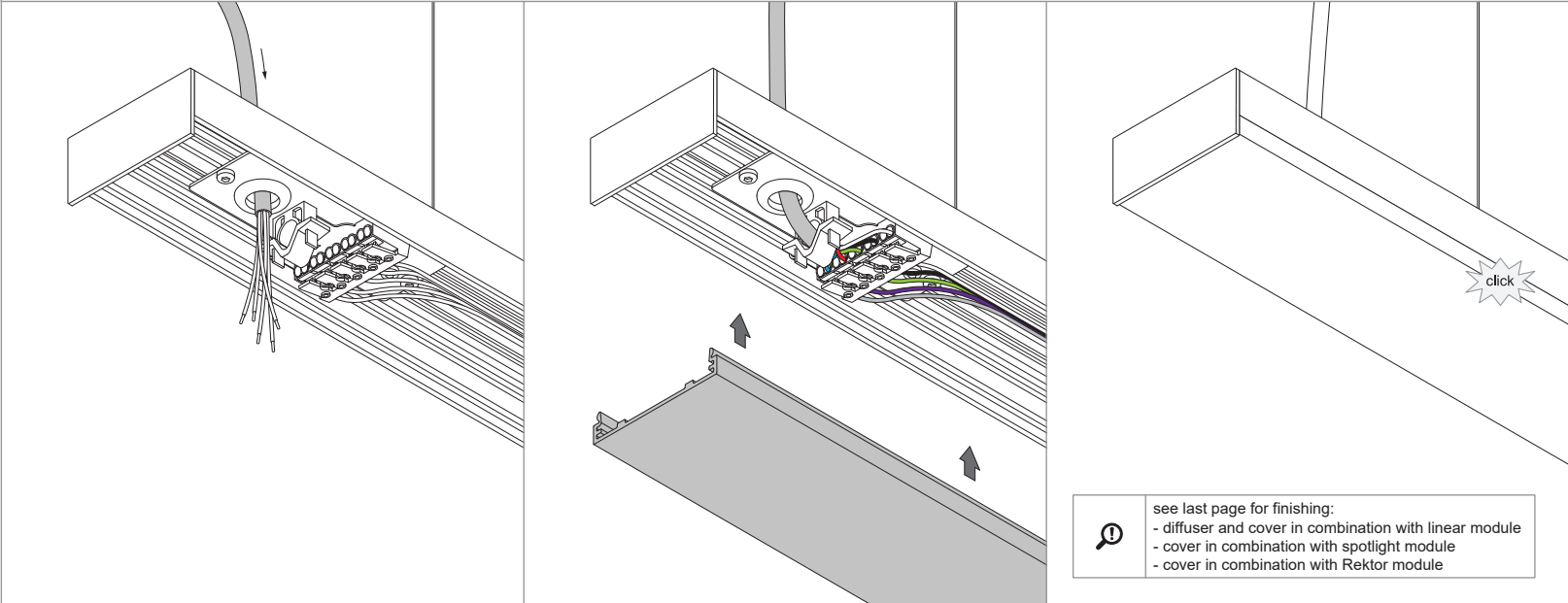
## Ceiling side.



## Electrical connection.



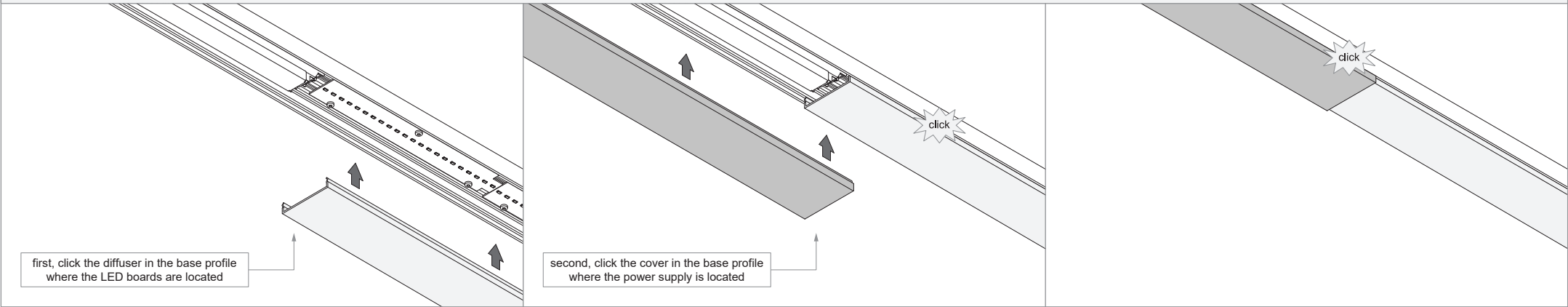
## Suspended profile side.



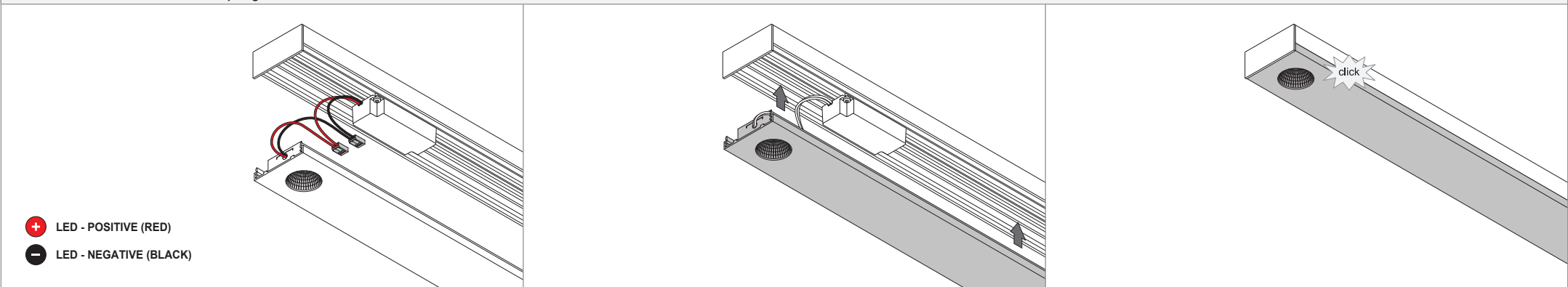
# MP 3.1 - finishing

US\_9352XXXX

## Diffuser and aluminum cover in combination with linear module.



## Aluminum cover in combination with spotlight module.



## Aluminum cover in combination with Rektor module.

