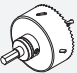



# Recessed ring 82 / 115

12500230 - 12810230

**1**



Ø 95mm  
for Smart 82




Ø 127mm  
for Smart 115

**2**

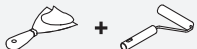
**3**


2x

T20



**4**





**REINFORCE PLASTERFINISH  
WITH FIBERGLASS JOINT  
COVER TO AVOID CRACKS**

## INSTALLATION BRACKET - SCREW POSITION

**A**

MIN 4mm  
MAX 15mm

**B**

MIN 13.5mm  
MAX 27mm