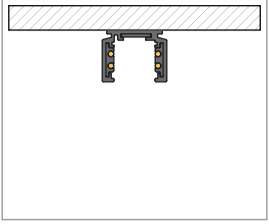


# PISTA TRACK 48V SURFACE (1/2)

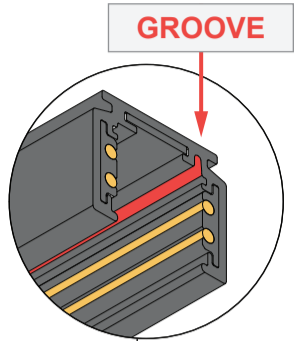


**Surface Mounted Power Supply 40W**  
US\_134120XX  
**Surface Mounted Power Supply 60W**  
US\_134122XX  
**Surface Mounted Power Supply 96W**  
US\_134184XX

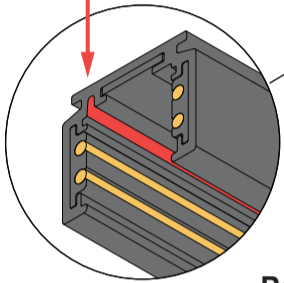
Or use:

**Remote Power Supply 60W**  
US\_13419200  
**Remote Power Supply 96W**  
US\_13419100

**Pista Profile (39.4")**  
US\_134100XX  
**Pista Profile (78.7")**  
US\_134101XX  
**Pista Profile (118.1")**  
US\_134102XX



GROOVE



**Power Feed Left**  
US\_134108XX

**Connection Flexible**  
US\_134183XX

**Power Feed Right**  
US\_134109XX

**Surface Connection 90° Inside**  
US\_134181XX

**Pista Cover (39.4")**  
US\_134106XX

**Pista Cover (78.7")**  
US\_134107XX

**Pista Cover (39.4" round)**  
US\_134568XX

**Surface Connection 90° Outside**  
US\_134182XX

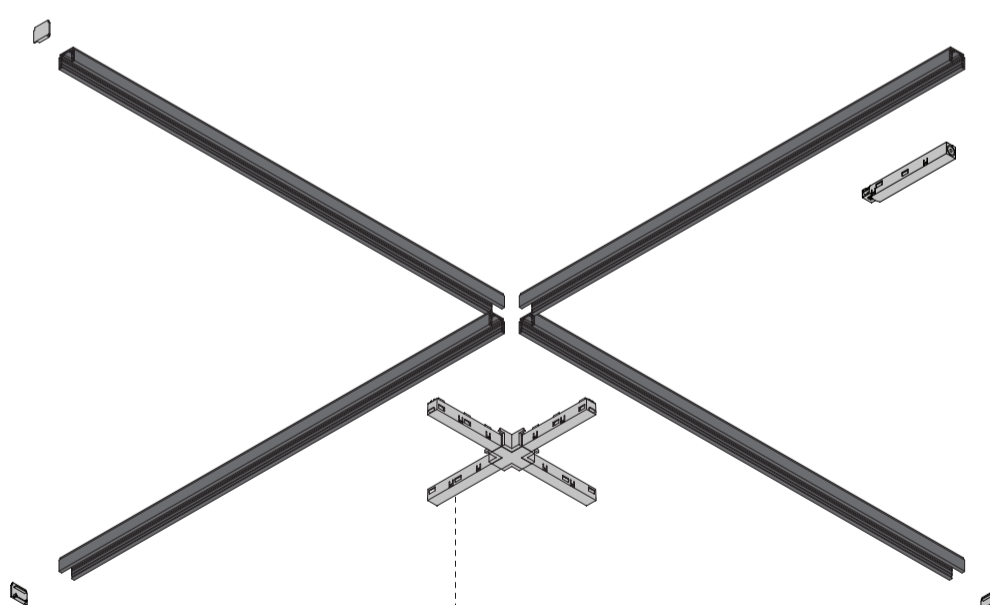
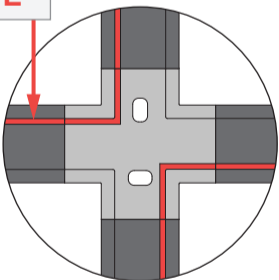
**Endplate**

US\_134110XX

**Endplate (round)**

US\_134563XX

GROOVE



**Electrical/Mechanical Connection X Surface**  
US\_134548XX

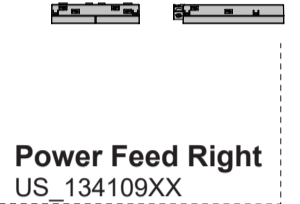
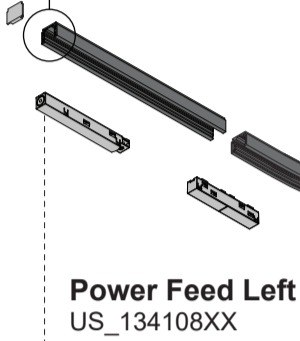
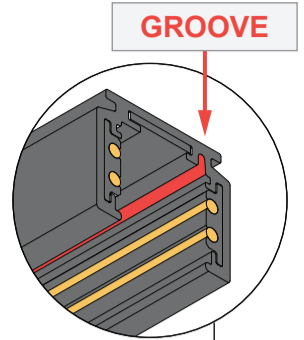
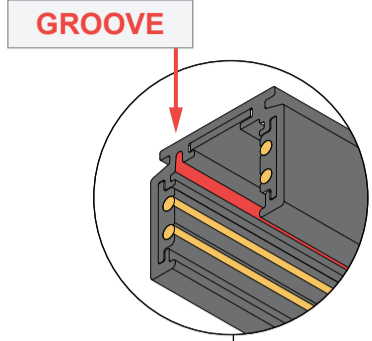
XX denotes the color finish

- 09 = white
- 32 = black
- 17 = champagne \*
- 18 = bronze \*
- 41 = champagne brushed \*\*
- 82 = bronze brushed \*\*

\* only available for endplates

\*\* only available for profile sections (78.7" & 118.1") and mechanical connection curved (90° & 135°)

**PISTA TRACK 48V SURFACE (2/2)**



**Power Feed Left**  
US\_134108XX

**Surface Connection 180°**  
US\_134113XX

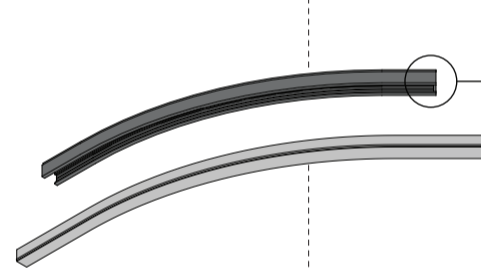
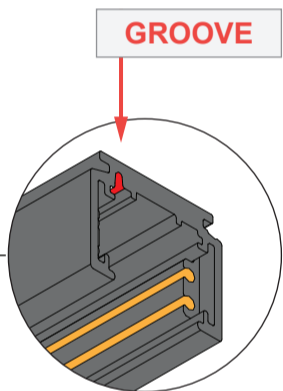
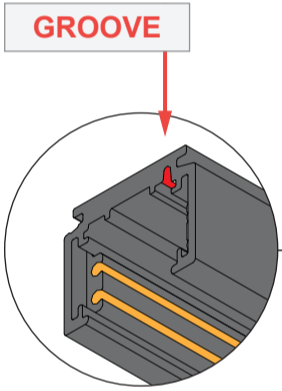
**Power Feed Right**  
US\_134109XX

**Pista Track 48V Mechanical Connection Curved 135° Inside**  
US\_134537XX

**Pista Track 48V Mechanical Connection Curved 135° Outside**  
US\_134538XX

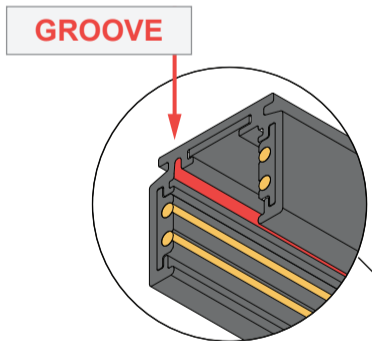
**Pista Track 48V Mechanical Connection Curved 90° Outside**  
US\_134536XX

**Pista Track 48V Mechanical Connection Curved 90° Inside**  
US\_134539XX



**Pista Cover (Curved 90°)**  
US\_134566XX

**Pista Cover (Curved 135°)**  
US\_134567XX



**Electrical/Mechanical Connection T Surface Left**  
US\_134542XX

**Electrical/Mechanical Connection T Surface Right**  
US\_134543XX

XX denotes the color finish

- 09 = white
- 32 = black
- 17 = champagne \*
- 18 = bronze \*
- 41 = champagne brushed \*\*
- 82 = bronze brushed \*\*

\* only available for endplates

\*\* only available for profile sections (78.7" & 118.1") and mechanical connection curved (90° & 135°)