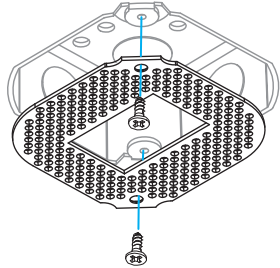


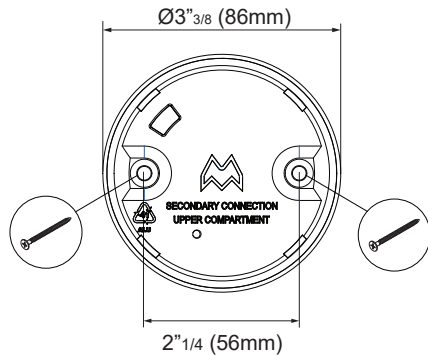
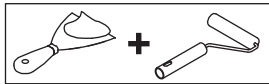
# SMART SURFACE TUBED 3.2 LARGE for 1xLED 350mA 0-10V/MAINS 1%

US\_128440XX - US\_128441XX - US\_128431XX - US\_128433XX

## MIN 60°C (140F) SUPPLY CONDUCTORS LES FILS D'ALIMENTATION 60°C (140F) MIN CONDUCTORES DE ALIMENTACIÓN 60°C (140F) Min



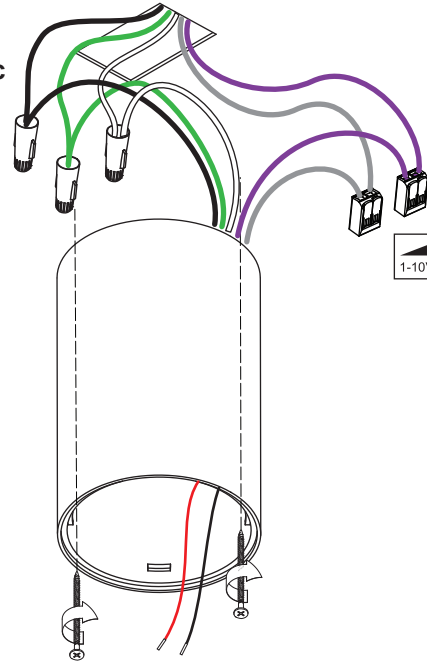
FOR OCTAGONAL BOX 4" by 4"  
(POUR OCTAGONAL BOX 4 "par 4")



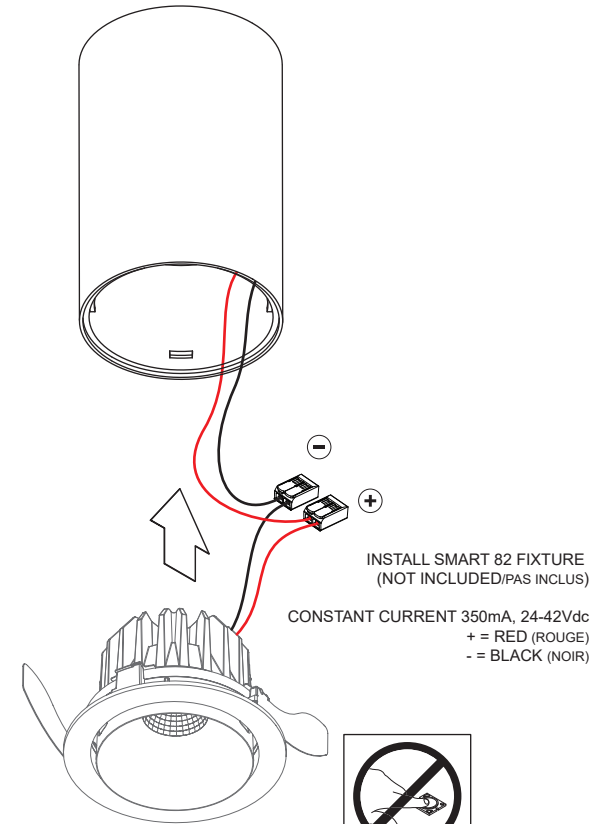
NEUTRAL (NEUTRE) = WHITE (BLANC)  
GROUND (TERRE) = YELLOW/GREEN (JAUNE/VERT)  
LINE (LIGNE) = BLACK (NOIR)

OPTIONAL:  
0-10V + = PURPLE (VIOLET)  
0-10V - = GREY (GRIS)

120-277 Vac  
50/60 Hz  
20 W



1-10V



**PHASE-CUT DIMMER COMPATIBILITY - ONLY AT 120Vac**  
(the absence of a dimmer in this list does not necessarily imply incompatibility)  
Lutron: S-603PG, DVCL-153P, TGCL-153P, S-600P, LG-600P  
Leviton: IPI06-1LZ, 6631-2, 6683-1W, IPE04, 6633-P  
Cooper: SLC03P, DLC03P, DAL06P

**0-10V DIMMER COMPATIBILITY**  
(the absence of a dimmer in this list does not necessarily imply incompatibility)  
Lutron: Nova series (part number NFTV), Diva series (part number DVTV)  
Leviton: IllumaTech series (part number IP710-DL)

(SCREWS NOT INCLUDED)  
(VIS PAS INCLUS)



V1 - 01/23/2019