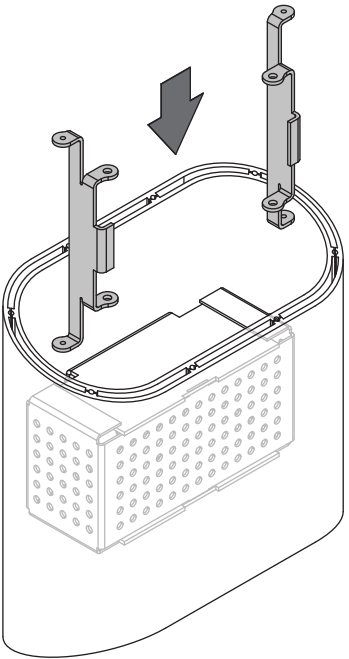


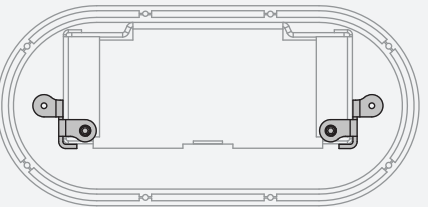
Trapz frosted lens (2)

US_12590001



1

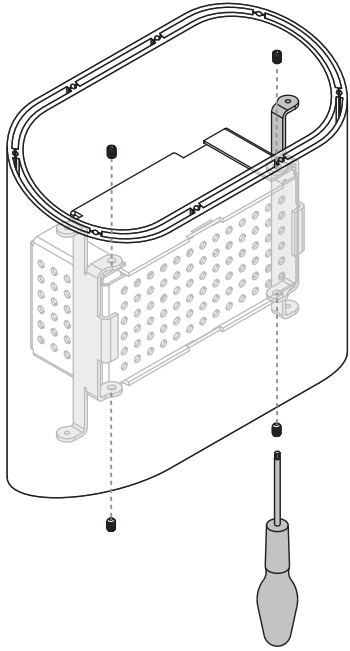


TRAPZ NOT INCLUDED

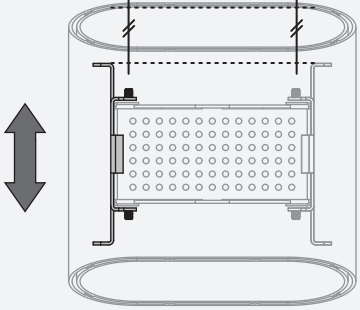


2

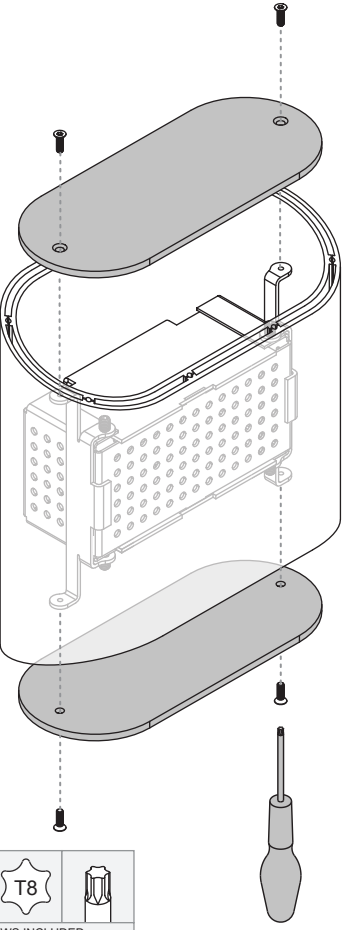
4x  
SCREWS INCLUDED





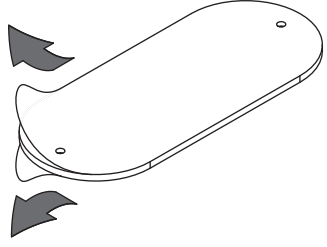
IF NECESSARY: LEVEL BRACKETS BY ADJUSTING TOP AND BOTTOM SETSCREW TO RAISE OR LOWER BRACKET



3

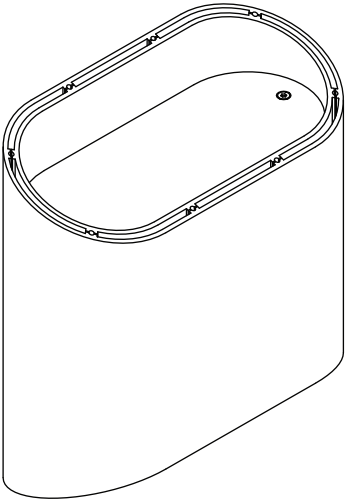


4x  
SCREWS INCLUDED



REMOVE PROTECTIVE FOIL FROM BOTH SIDES

4




CONSULT INSTALLATION INSTRUCTION TRAPZ FOR ELECTRICAL CONNECTION AND WALL MOUNTING

LED LUMINAIRE FROSTED LENS ACCESSORY


IMPORTANT SAFETY INSTRUCTIONS

- Read all instructions.
- Save these instructions.

LIGHT SOURCE - DO NOT TOUCH LED

 Touching the LED can result in permanent damage of the light source. The light source contained in this luminaire shall only be replaced by the manufacturer or his service agent or a similar qualified person.

PREVENTING ELECTROSTATIC DAMAGE

 A discharge of static electricity may damage sensitive components. Always be properly grounded when touching leads or circuitry inside the luminaire. Use a wrist strap connected by a ground cord to the housing. Avoid touching the light sources with bare hands.

MUST BE COMBINED WITH

- Trapz 2xLED
- Backplate 3"x2" or 4"x4" Duell Split Trapz

