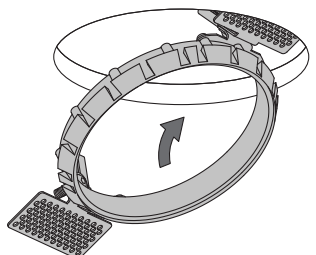



Recessed ring Ø3.2 / Ø4.5


US_12500230_US_12810230

1



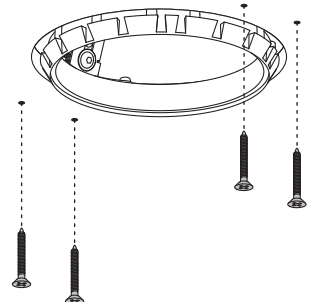


Ø 3 7/64" (95mm)
for Smart 3.2
(US_12500230)

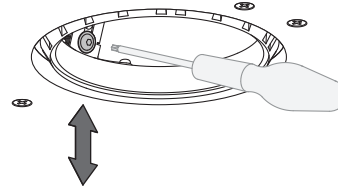


Ø 5" (127mm)
for Smart 4.5
(US_12810230)

2




3





2x


T20



4



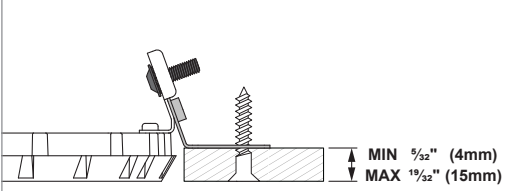




**REINFORCE PLASTERFINISH
WITH FIBERGLASS JOINT
COVER TO AVOID CRACKS**

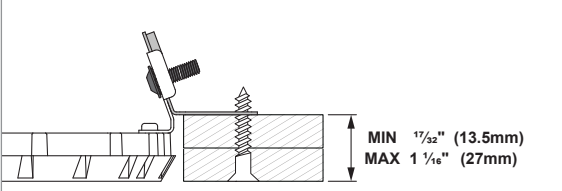
INSTALLATION BRACKET - SCREW POSITION

A



MIN 1/2" (4mm)
MAX 19/32" (15mm)

B



MIN 17/32" (13.5mm)
MAX 1 1/16" (27mm)