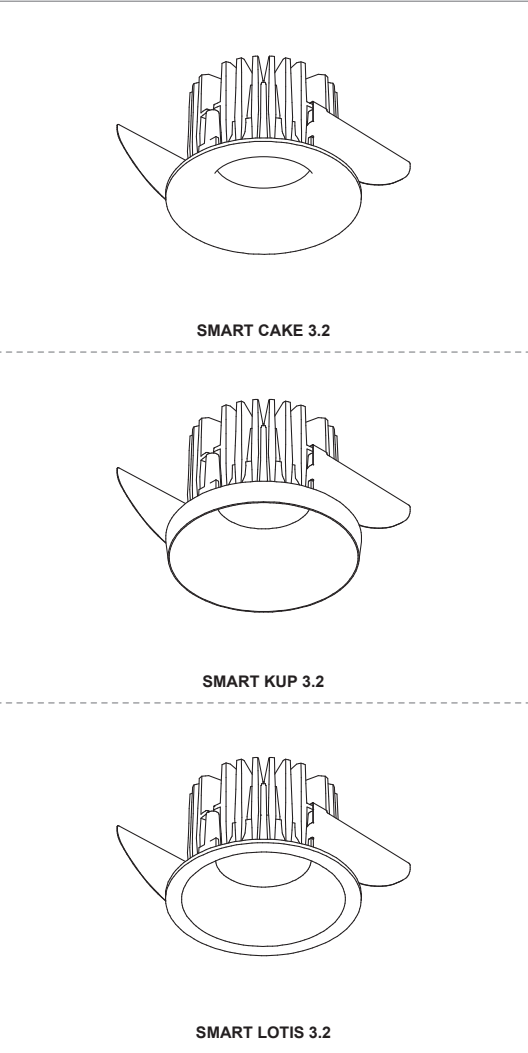


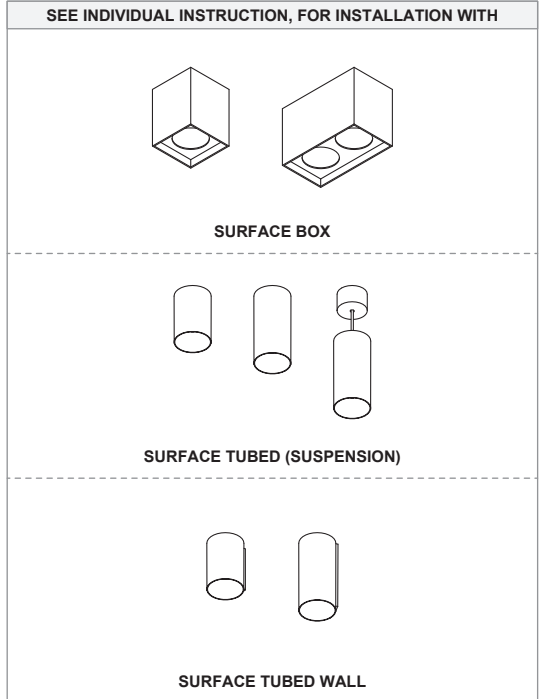
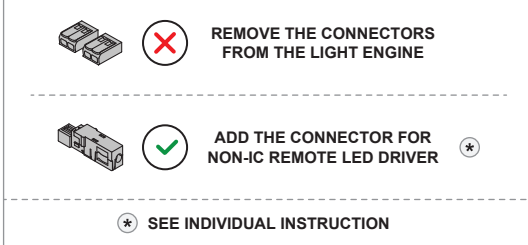
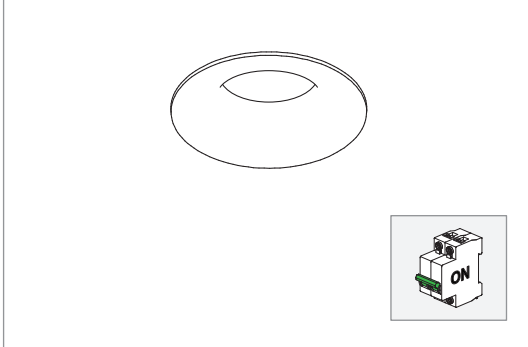
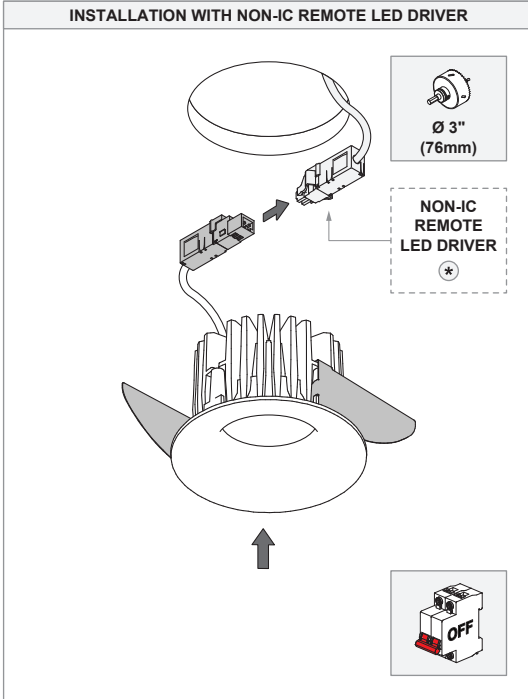
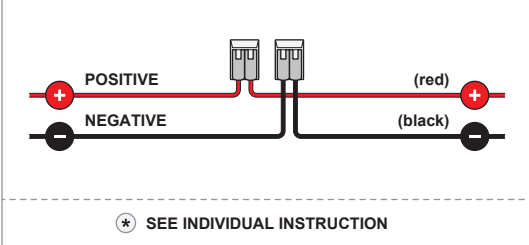
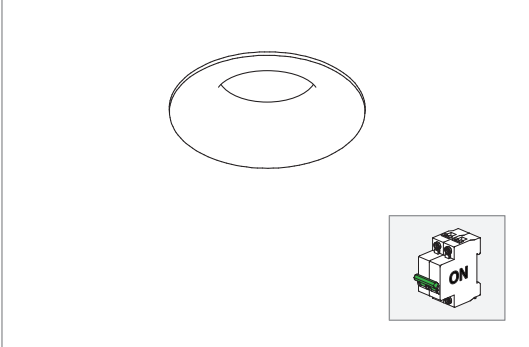
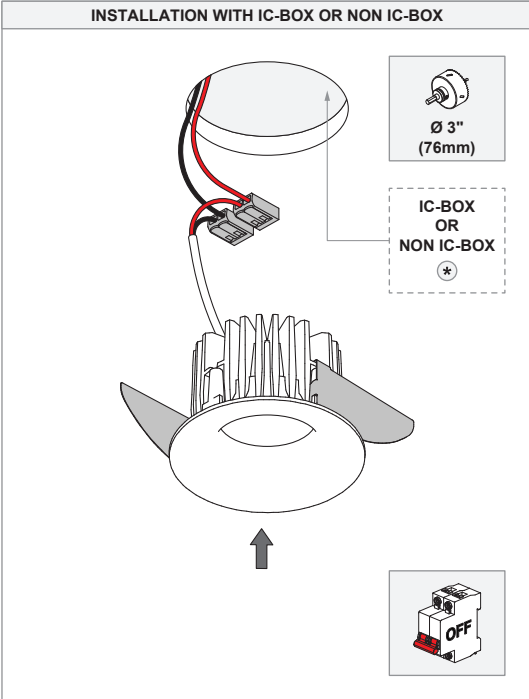
Smart 3.2 LED DE

US_124110XX_US_124112XX_US_124114XX_US_124115XX_US_124116XX_US_124117XX_US_124131XX_US_124134XX_US_124137XX_US_124150XX_US_124151XX_US_124152XX_US_124161XX_US_124164XX_US_124167XX_US_124168XX_US_124169XX_US_124170XX_US_124174XX_US_124175XX_US_124176XX_US_124410XX_US_124412XX_US_124414XX_US_124415XX_US_124416XX_US_124417XX_US_124431XX_US_124434XX_US_124437XX_US_124450XX_US_124451XX_US_124452XX_US_124461XX_US_124464XX_US_124467XX_US_124468XX_US_124469XX_US_124470XX_US_124474XX_US_124475XX_US_124476XX_US_124710XX_US_124712XX_US_124714XX_US_124715XX_US_124716XX_US_124717XX_US_124731XX_US_124734XX_US_124737XX_US_124750XX_US_124751XX_US_124752XX_US_124761XX_US_124764XX_US_124767XX_US_124768XX_US_124769XX_US_124770XX_US_124774XX_US_124775XX_US_124776XX



ELECTRICAL RATINGS			
Current (mA)	Forward Voltage		Power (W)
	min (Vf)	max (Vf)	
350	13.2	15.0	5.0
500	13.7	15.4	7.2
700	14.2	16.0	10.6

FOR SERIAL CONNECTION, RESPECT POLARITY.
NOT SUITED FOR CONNECTION TO MAINS VOLTAGE.



LED LUMINAIRE LIGHT ENGINE

- Read all instructions.
- Save these instructions.

BASIC SAFETY PRECAUTIONS

- Suitable for damp locations.

PREVENTING ELECTROSTATIC DAMAGE

⚠ A discharge of static electricity may damage sensitive components. Always be properly grounded when touching leads or circuitry inside the luminaire. Use a wrist strap connected by a ground cord to the housing. Avoid touching the light sources with bare hands.

LIGHT SOURCE - DO NOT TOUCH LED

🚫 Touching the LED can result in permanent damage of the light source. The light source contained in this luminaire shall only be replaced by the manufacturer or his service agent or a similar qualified person.

MUST BE COMBINED WITH (NOT INCLUDED)

- IC-BOX, or
- NON IC-BOX, or
- NON-IC REMOTE LED DRIVER, or
- SURFACE BOX, or
- SURFACE TUBED (SUSPENSION), or
- SURFACE TUBED WALL

POWER SUPPLIES & ACCESSORIES

For latest version of all power supplies and available accessories check www.supermodular.us or connect with your sales contact.

