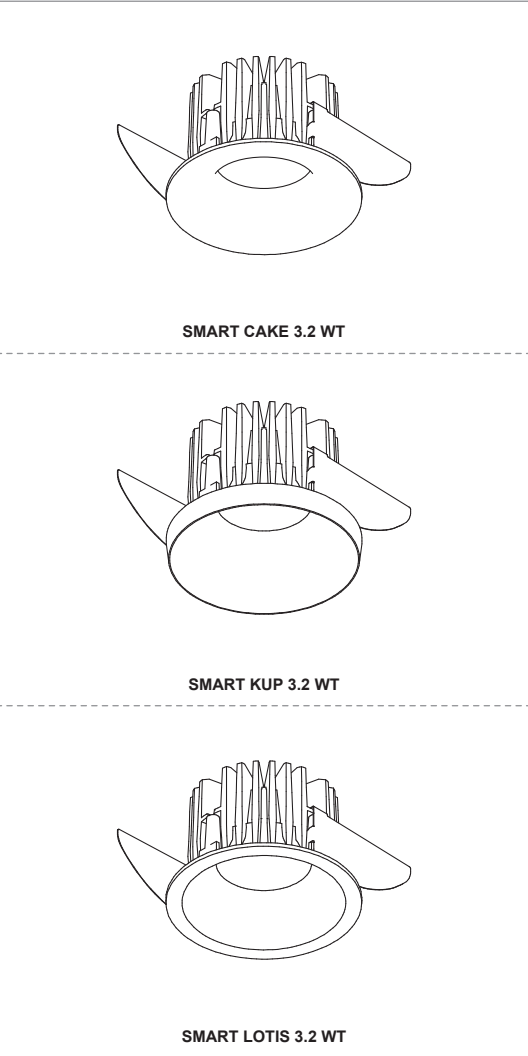


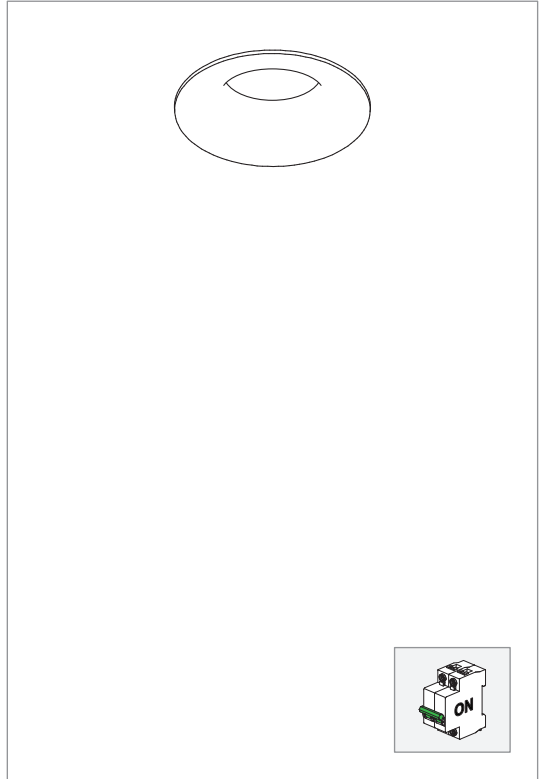
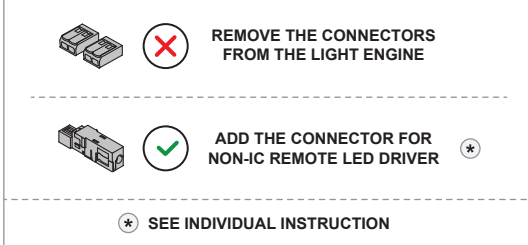
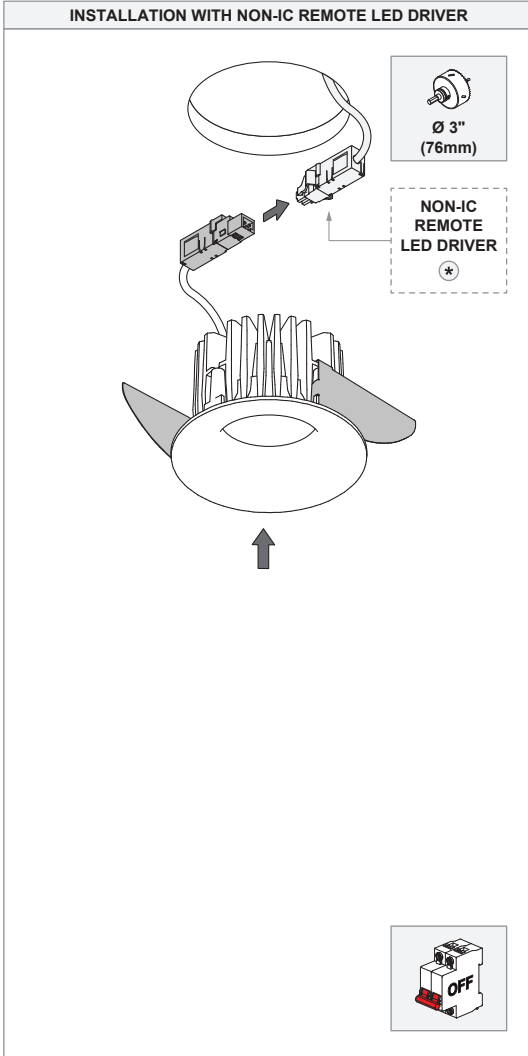
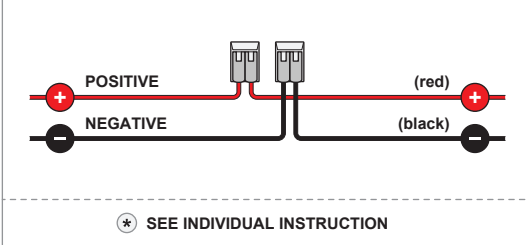
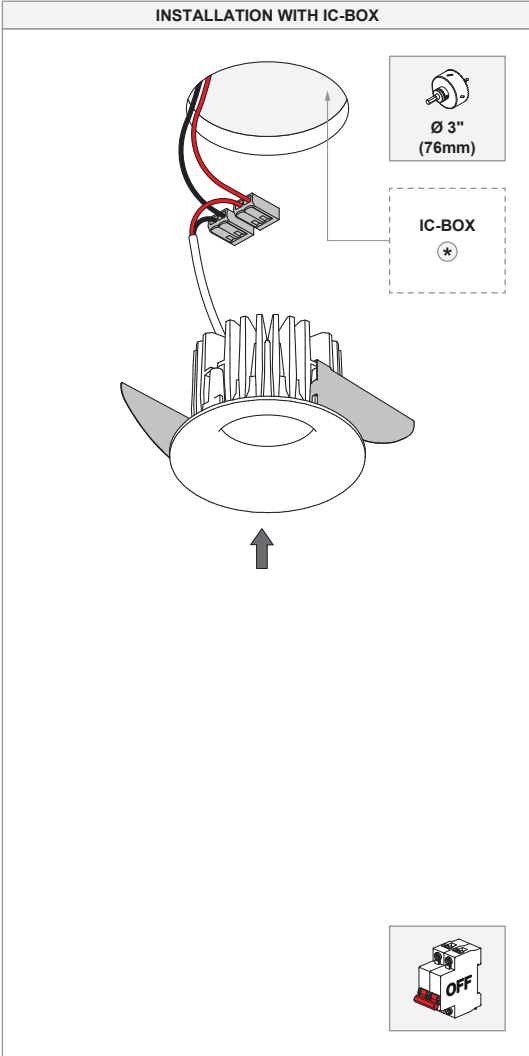
Smart 3.2 WT LED DE

US_124101XX_US_124104XX_US_124107XX_US_124121XX_US_124124XX_US_124127XX_US_124143XX_US_124144XX_US_124145XX_US_124146XX_US_124147XX_US_124148XX_US_124149XX_US_124153XX_US_124154XX_US_124171XX_US_124172XX_US_124173XX_US_124177XX_US_124178XX_US_124179XX_US_124401XX_US_124404XX_US_124407XX_US_124421XX_US_124424XX_US_124427XX_US_124433XX_US_124444XX_US_124445XX_US_124446XX_US_124447XX_US_124448XX_US_124449XX_US_124453XX_US_124454XX_US_124471XX_US_124472XX_US_124473XX_US_124477XX_US_124478XX_US_124479XX_US_124701XX_US_124704XX_US_124707XX_US_124721XX_US_124724XX_US_124727XX_US_124743XX_US_124744XX_US_124745XX_US_124746XX_US_124747XX_US_124748XX_US_124749XX_US_124753XX_US_124754XX_US_124771XX_US_124772XX_US_124773XX_US_124777XX_US_124778XX_US_124779XX



ELECTRICAL RATINGS			
Current (mA)	Forward Voltage		Power (W)
	min (Vf)	max (Vf)	
350	13.2	15.0	5.0
500	13.7	15.4	7.2
700	14.2	16.0	10.6

FOR SERIAL CONNECTION, RESPECT POLARITY.
NOT SUITED FOR CONNECTION TO MAINS VOLTAGE.



LED LUMINAIRE LIGHT ENGINE

- Read all instructions.
- Save these instructions.

BASIC SAFETY PRECAUTIONS

- Suitable for wet locations.

PREVENTING ELECTROSTATIC DAMAGE

A discharge of static electricity may damage sensitive components. Always be properly grounded when touching leads or circuitry inside the luminaire. Use a wrist strap connected by a ground cord to the housing. Avoid touching the light sources with bare hands.

LIGHT SOURCE - DO NOT TOUCH LED

Touching the LED can result in permanent damage of the light source. The light source contained in this luminaire shall only be replaced by the manufacturer or his service agent or a similar qualified person.

MUST BE COMBINED WITH (NOT INCLUDED)

- IC-BOX, or
- NON-IC REMOTE LED DRIVER

POWER SUPPLIES & ACCESSORIES

For latest version of all power supplies and available accessories check www.supermodular.us or connect with your sales contact.

