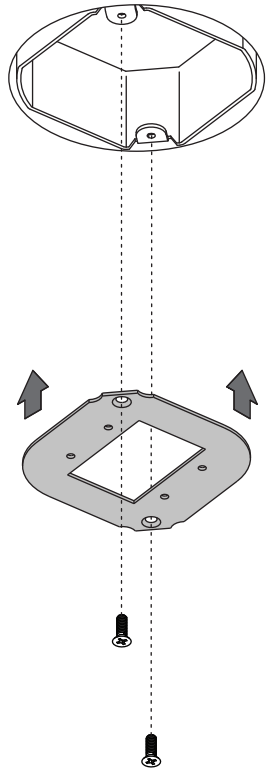


Backplate 4X4 Smart surface tubed 3.2 large

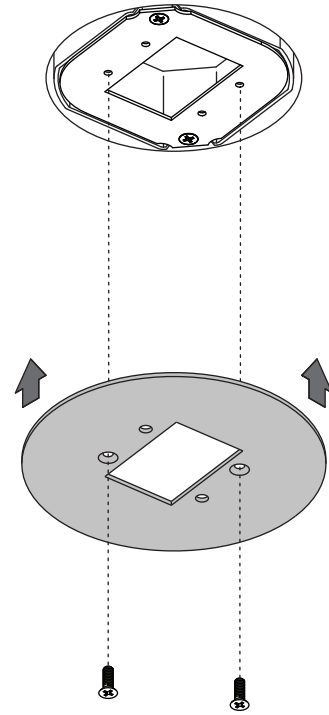
US_120541XX

1

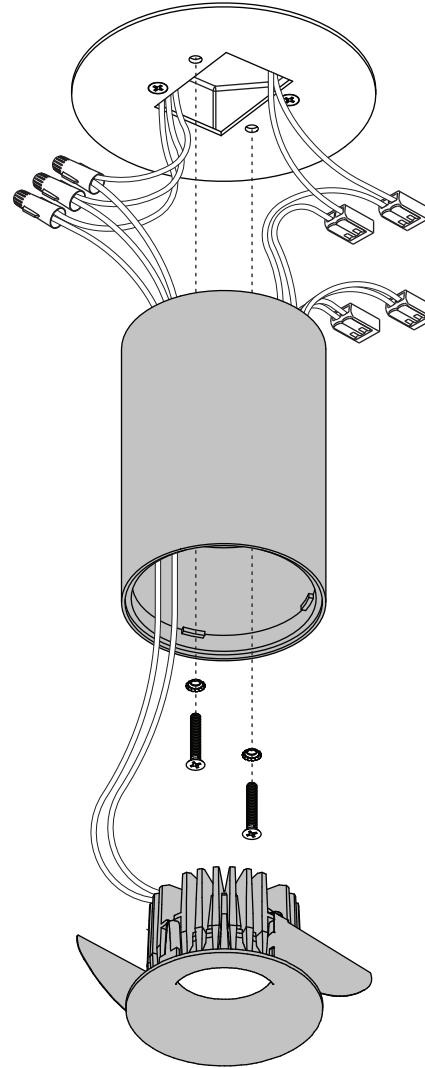


4X4 JUNCTION BOX NOT INCLUDED

2

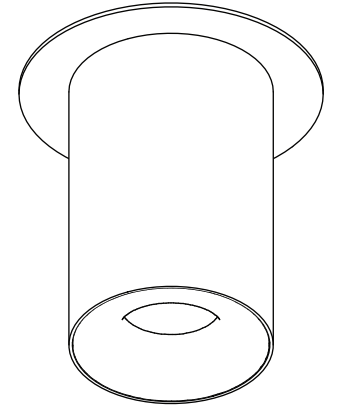


3



ELECTRICAL CONNECTION / RATINGS, SEE INDIVIDUAL MANUAL

4



LED LUMINAIRE BACKPLATE ACCESSORY

IMPORTANT SAFETY INSTRUCTIONS

- Read all instructions.
- Save these instructions.

MUST BE COMBINED WITH (NOT INCLUDED)

- Smart surface tubed 3.2 large (1x)

LIGHT ENGINES & ACCESSORIES

For latest version of all light engines and available accessories check www.supermodular.us or connect with your sales contact.