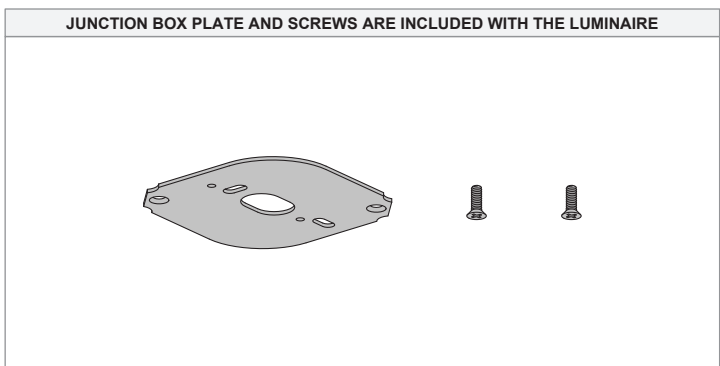
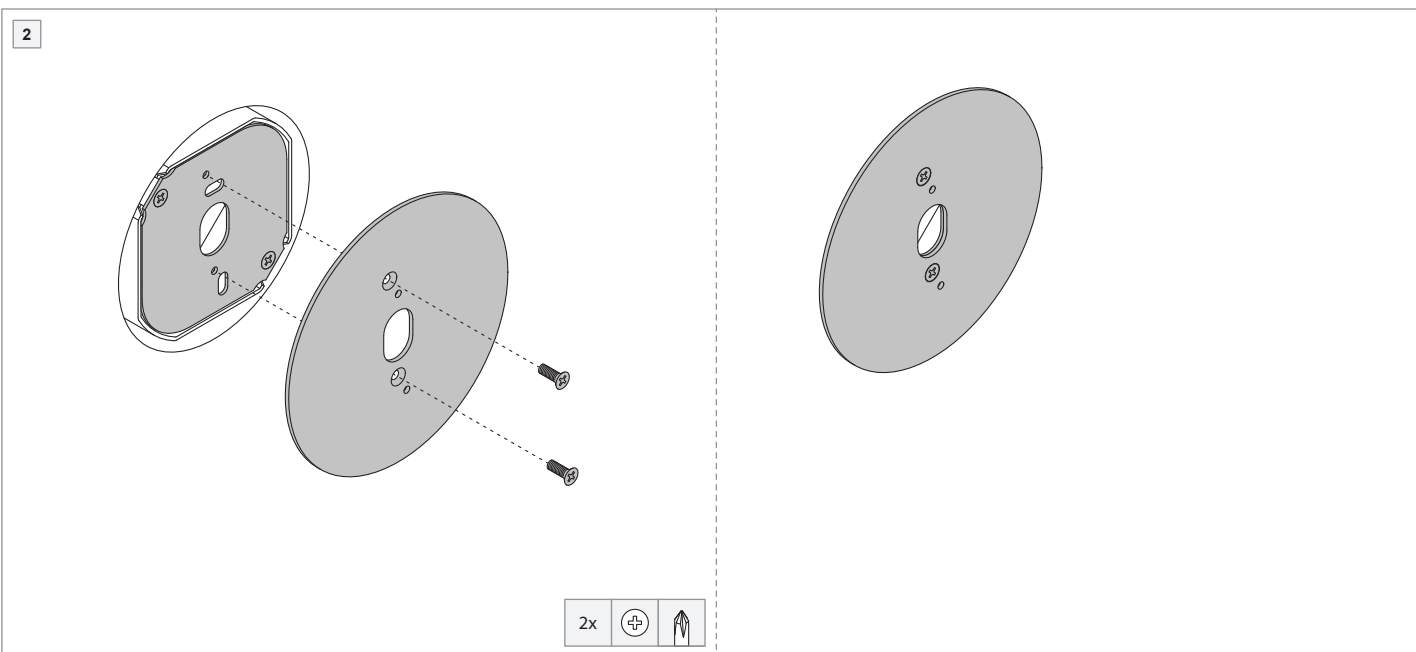
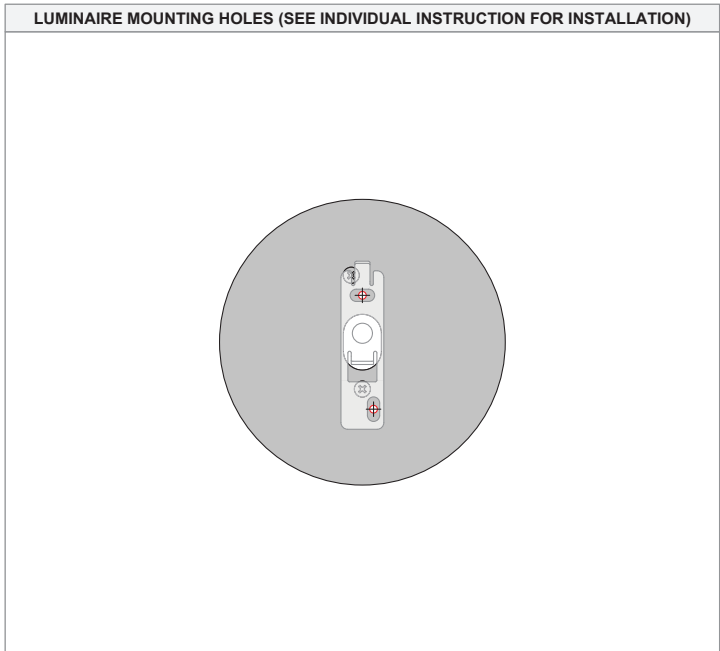
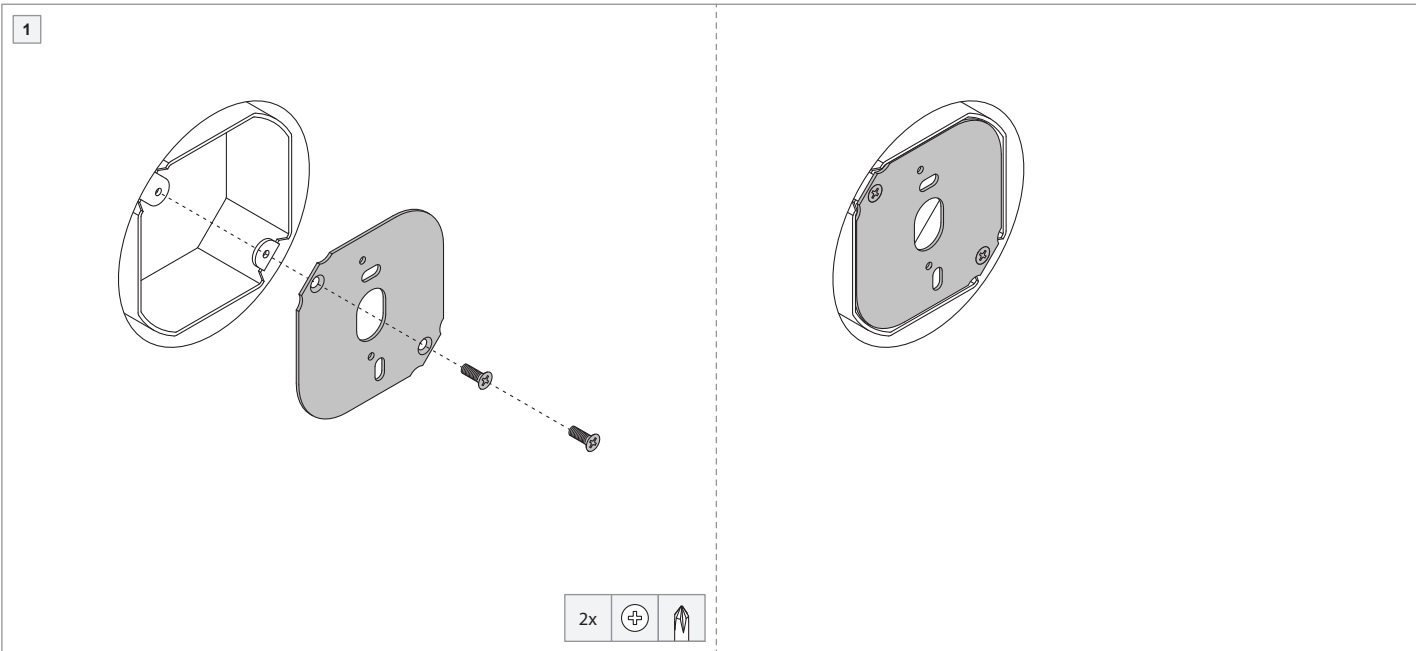


# Backplate 4x4 Smart Tube Wall 1.9 2x

US\_120535XX



**INSTALLATION INSTRUCTION** (ACCESSORY)

- Read all instructions.
- Save these instructions.

**PAINTING**

The backplate (cover) can be painted in the field to match the color of the wall. Connect with your sales contact for detailed information.

**MUST BE COMBINED WITH** (NOT INCLUDED)

- Smart Tube Wall 1.9 2x DE

**LUMINAIRES & ACCESSORIES**

For latest version of all available luminaires and accessories, check [www.supermodular.com](http://www.supermodular.com) or connect with your sales contact.

