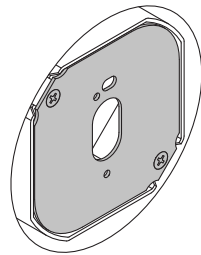
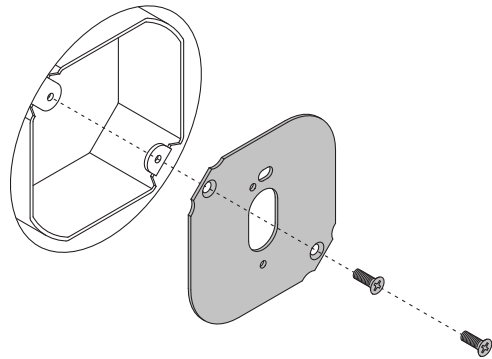


Backplate 4x4 Smart Tube Wall 1.9 1x

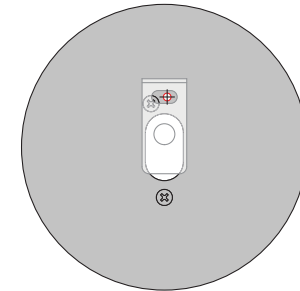
US_120533XX

1

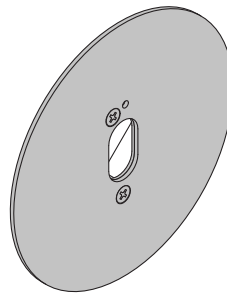
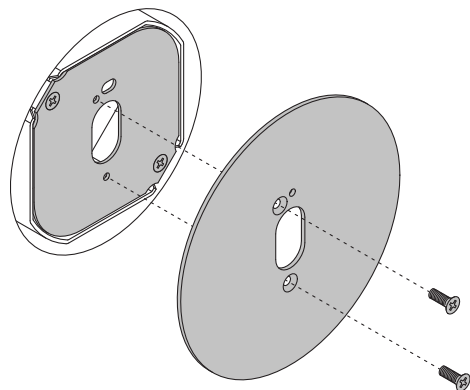


2x  

LUMINAIRE MOUNTING HOLES (SEE INDIVIDUAL INSTRUCTION FOR INSTALLATION)

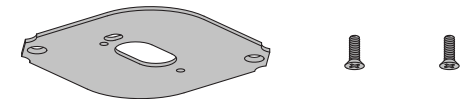


2



2x  

JUNCTION BOX PLATE AND SCREWS ARE INCLUDED WITH THE LUMINAIRE



INSTALLATION INSTRUCTION

(ACCESSORY)

- Read all instructions.
- Save these instructions.



PAINTING

The backplate (cover) can be painted in the field to match the color of the wall.
Connect with your sales contact for detailed information.

MUST BE COMBINED WITH

(NOT INCLUDED)

- Smart Tube Wall 1.9 1x DE

LUMINAIRES & ACCESSORIES

For latest version of all available luminaires and accessories, check www.supermodular.com or connect with your sales contact.

